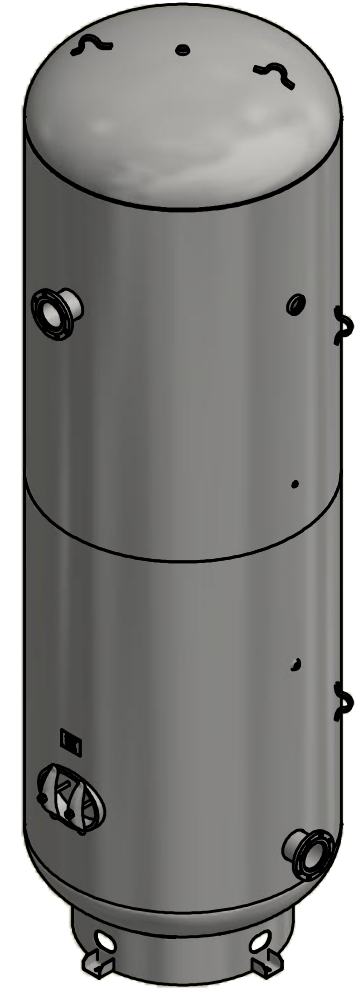
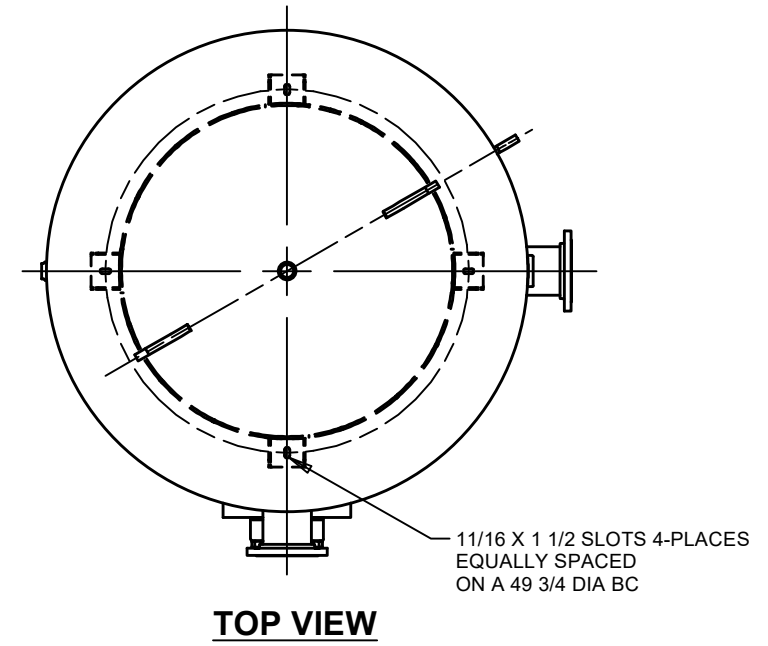
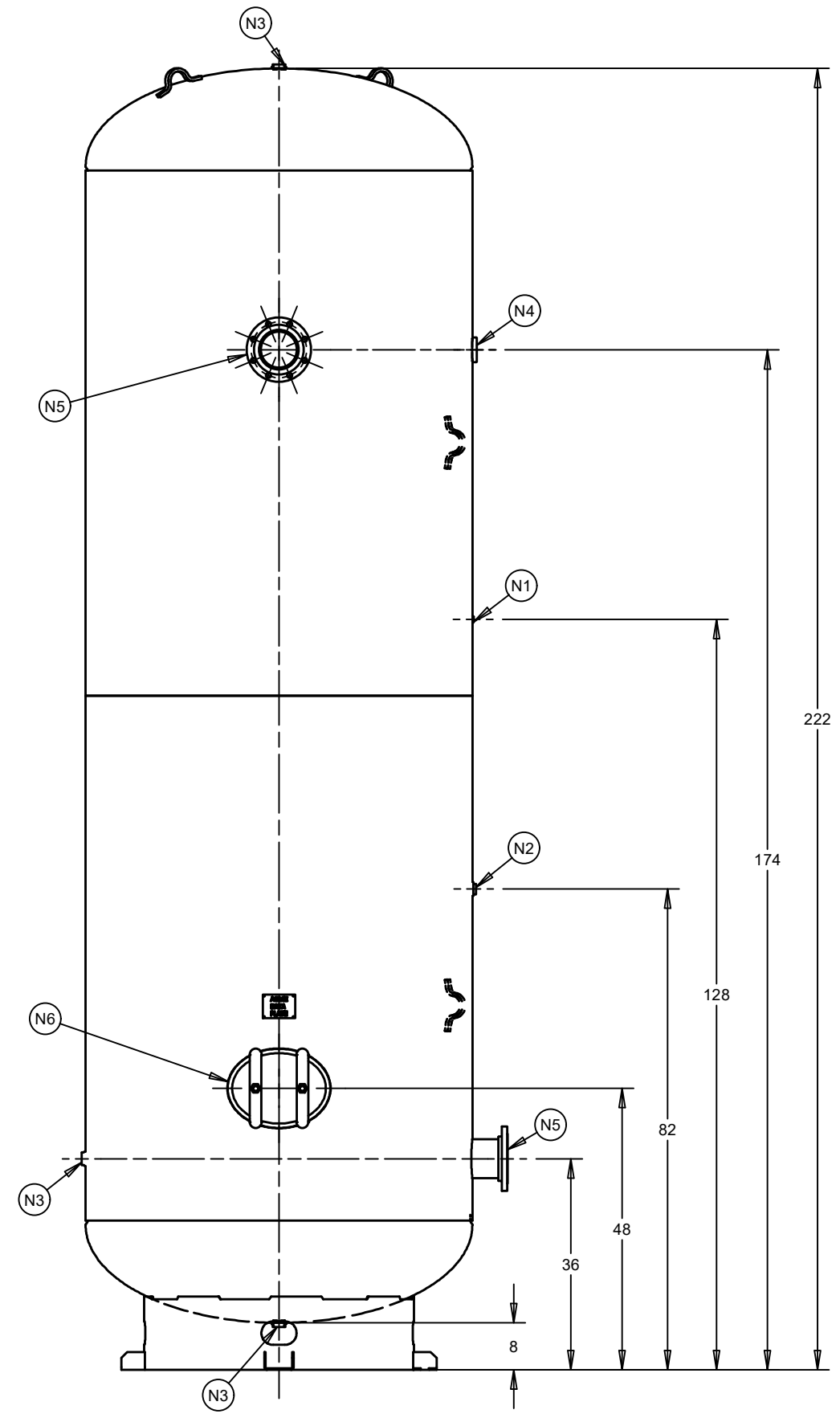


NOZZLE CHART		
NOZZLE ID	NPS SIZE	TYPE
N1	1/4	NPT
N2	1	NPT
N3	1 1/4	NPT
N4	3	NPT
N5	6	150# FLG
N6	MANWAY	



DESIGN INFORMATION	
SPECIFICATION	VALUE
DIAMETER O.D./I.D.	66 O.D.
MAWP	150 PSI AT 400°F
MDMT	-20°F AT 150 PSI
CAPACITY	APPROX 3000 GALLONS
SHIPPING WEIGHT	5385 LBS
CRN	Z6216.24516NT

TITLE VERTICAL AIR RECEIVER					
CUSTOMER STOCK		DRAWN KAT	CHECKED DMM	DRAWING NO C102476	REV H11
TYPE ASME		DATE 10/5/2016	DATE 10/17/2016	SIZE: B SHEET 1 OF 1	

REV	DESCRIPTION	BY	DATE
H11	ISSUED		

(BUILT IN ACCORDANCE WITH LATEST EDITION OF SECTION VIII DIV 1 ASME CODE)

THIS DRAWING & SPECIFICATIONS ARE PROPERTY OF SPVG AND MAY NOT BE COPIED, REPRODUCED, OR USED IN WHOLE OR PART, AS A BASIS FOR DESIGN MANUFACTURE OR SALE WITHOUT PRIOR PERMISSION FROM SPVG.