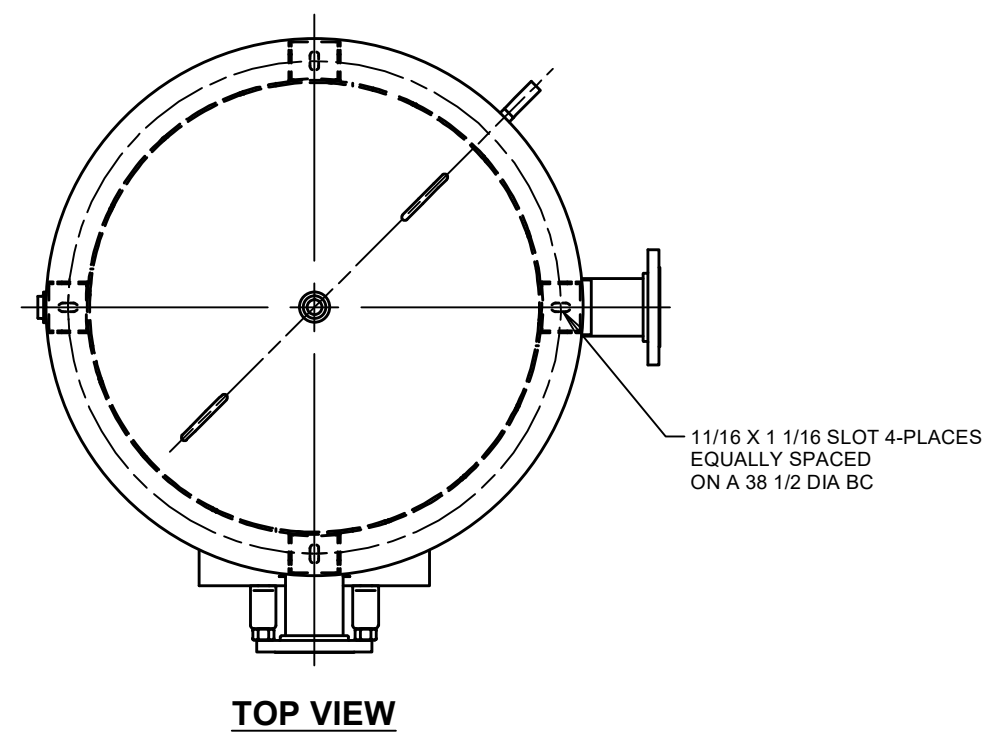
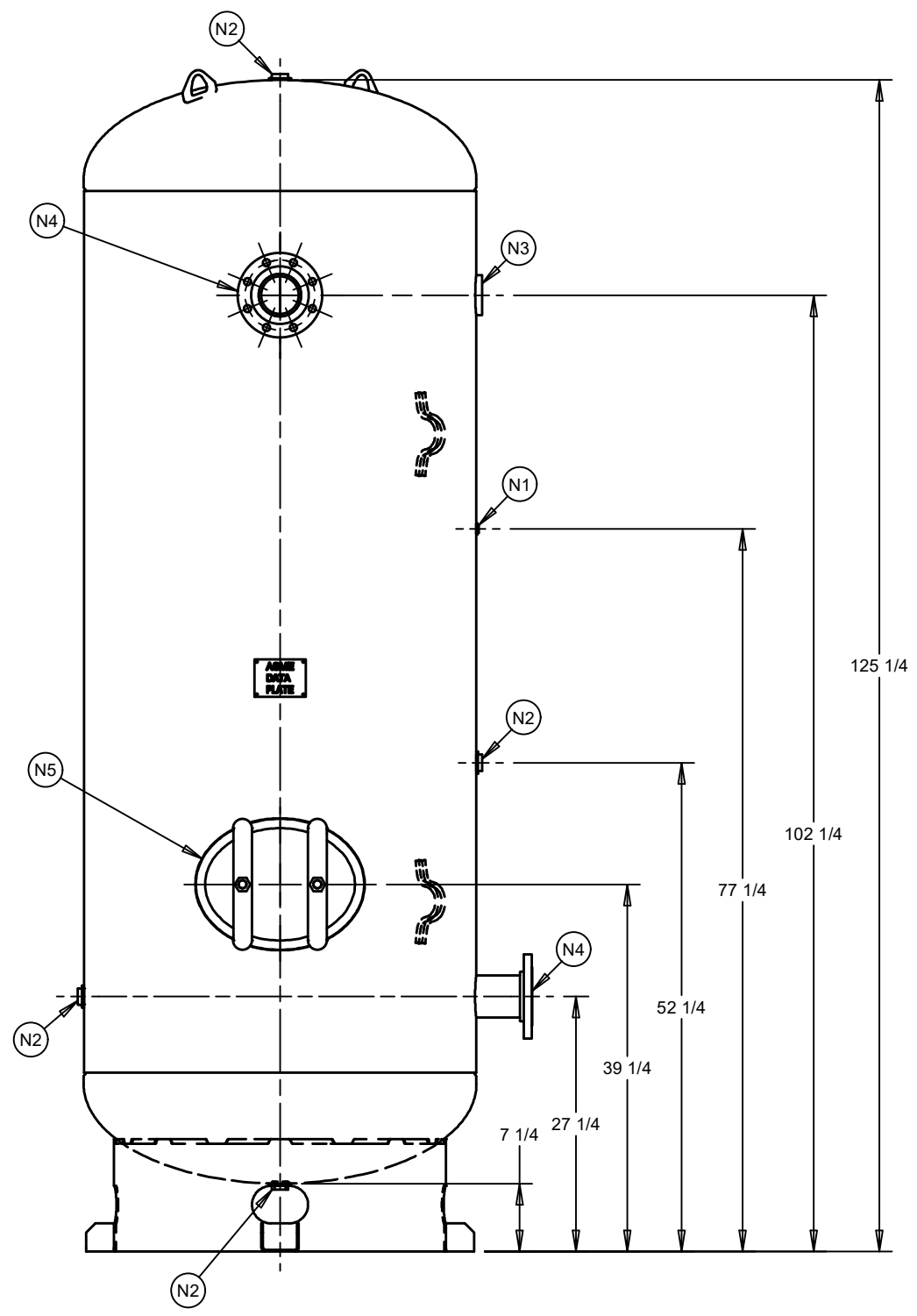


NOZZLE CHART		
NOZZLE ID	NPS SIZE	TYPE
N1	1/4	NPT
N2	1	NPT
N3	3	NPT
N4	4	150# FLG
N5	MANWAY	



DESIGN INFORMATION	
SPECIFICATION	VALUE
DIAMETER O.D./I.D.	42 O.D.
MAWP	200 PSI AT 400°F
MDMT	-20°F AT 200 PSI
CAPACITY	APPROX 660 GALLONS
SHIPPING WEIGHT	1461 LBS
CRN	M1699.5621430

(BUILT IN ACCORDANCE WITH LATEST EDITION OF SECTION VIII DIV 1 ASME CODE)

THIS DRAWING & SPECIFICATIONS ARE PROPERTY OF SPVG AND MAY NOT BE COPIED, REPRODUCED, OR USED IN WHOLE OR PART, AS A BASIS FOR DESIGN MANUFACTURE OR SALE WITHOUT PRIOR PERMISSION FROM SPVG.

REV	DESCRIPTION	BY	DATE
G17	ISSUED		

TITLE VERTICAL AIR RECEIVER					
CUSTOMER STOCK		DRAWN KAT 9/13/2016	CHECKED DMM 10/7/2016	DRAWING NO <b>C100950-XG17</b>	REV
TYPE ASME		SIZE: B		SHEET 1 OF 1	