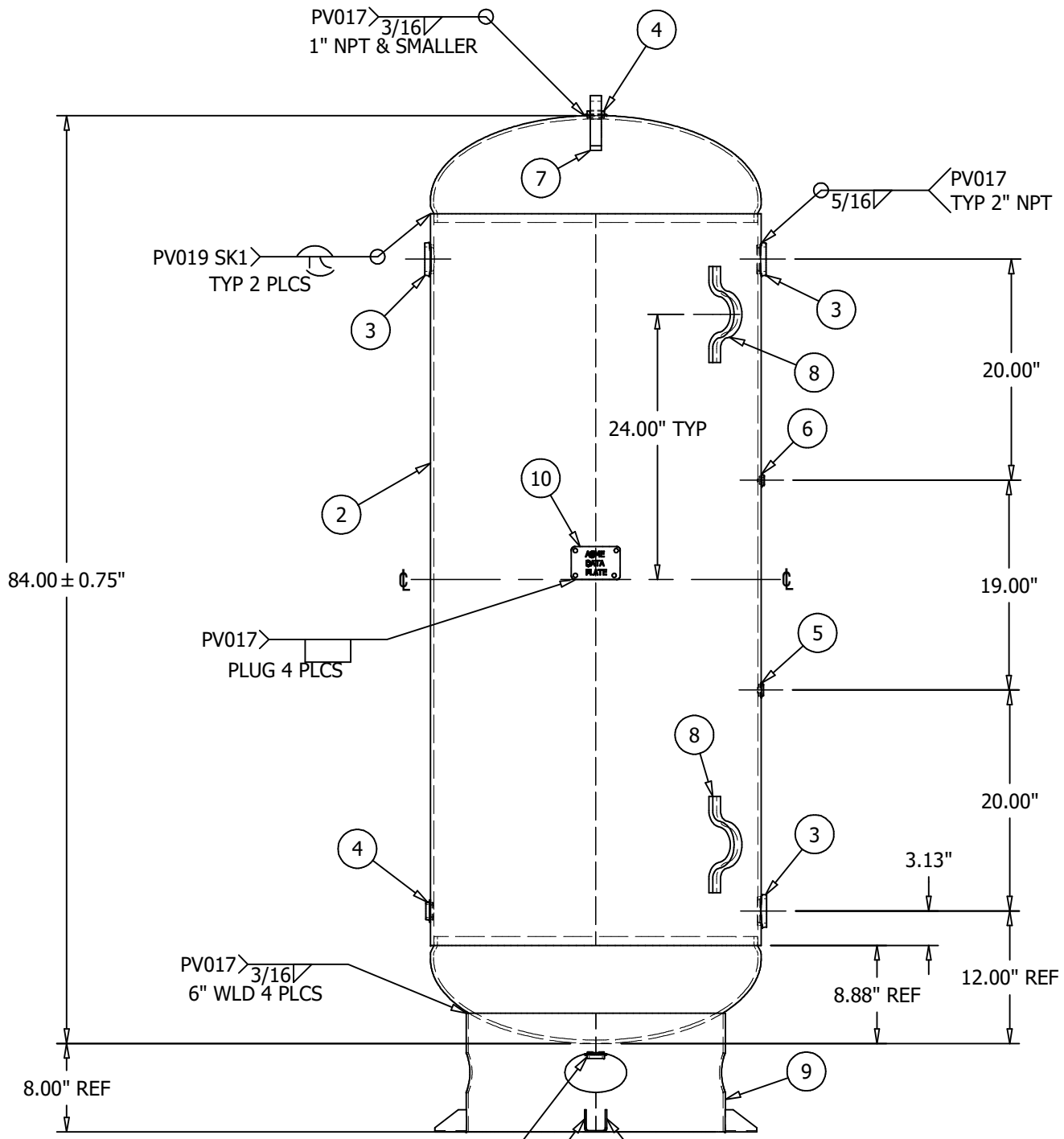
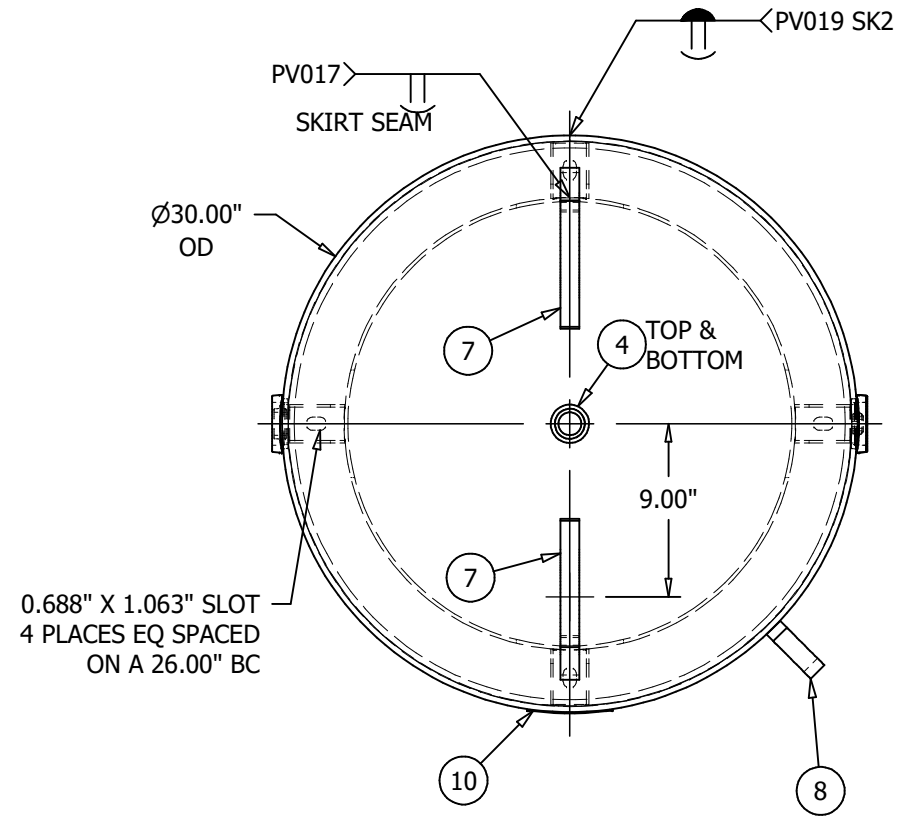


ITEM	P/N	DESCRIPTION	QTY
1	H30313J	HEAD 30.00 OD 0.293M/0.313N CS SA516-70 SE 2:1 JOG	2
2	A10053-300-SL	SHELL BURNT 0.313 SA-455 66.25 x 30.00 OD	1
3	F102001	WELD FLG 2.000 NPT CS SA181-70 RAD 958 O/R	3
4	F101000	WELD FLG 1.000 NPT CS SA181-70 FLAT 255	3
5	F100500	WELD FLG 0.500 NPT CS SA181-70 FLAT 253	1
6	F100250	WELD FLG 0.250 NPT CS SA181-70 FLAT 251	1
7	64-784-V	LIFT LUG 0.500 A36 3.48 X 8.71 FOR 36-72" TANKS	2
8	64-784-H	LIFT LUG 0.500 A36 3.25 X 8.71 FOR 36-72" TANKS	2
9	S102186	SKIRT ASY. 23.5 OD W/8.000" CLR. W/CLIPS FOR A 30" TANK A1011CS-B	1
10	A10053-300-NP	NAME PLATE 3 X 4.5 X 16GA	1



FRONT VIEW
TRUE ELEVATION



TOP VIEW
TRUE ORIENTATION



**SHELL CUT SIZE IS REFERENCE ONLY
 **CPLG & FITTING 0.50 EXT PROJ TYP
 **HEAD THICKNESS SHOWN IS SPECIFIED MINIMUM
 **RADIUS INSIDE PROJECTED EDGES OF NOZZLES 1/8" MIN
 **SEE PAGE 2 FOR FINISH
 **FLANGE BOLT HOLES STRADDLE TANK C/L EXCEPT AS NOTED
 **ALL DIMS IN INCHES UNLESS NOTED OTHERWISE
 **IMPACT TEST EXEMPT PER UG 20(f)
 30" X 84" 300# VERTICAL AIR RECEIVER
 NOTES

TRAVELER REQUIRED Yes FIXTURE REQUIRED No IF YES THEN FIXTURE # _____

RELEASED TO PRODUCTION		TOLERANCES ARE PER EN1370 STEEL FAB STANDARD TOLERANCES UNLESS OTHERWISE SPECIFIED		DESIGN & CALCULATIONS COMPLY WITH ASME CODE SECTION VIII, DIV1. LATEST EDITION	
SALES ORDER#		QTY:		A10053 @ 300 PSI	
RELEASE DATE:		NB/SERIAL#			
HEAD THK: <u>.263</u> " MIN C.A.: --- MAT'L <u>SA516-70</u> EFF <u>85</u> %		NAT'L BD: YES STAMP " U "		ENG. APPL / DATE JE - 11/25/2009	
SHELL THK: <u>.313</u> " NOM C.A.: --- MAT'L <u>SA455</u> EFF <u>70</u> %		VOLUME: APPROX 240 GAL		QCM. APPL / DATE JP-11/25/2009	
MAYP <u>300</u> PSI AT <u>400</u> °F		SHIPPING WEIGHT: 823 LBS		A.I. VERIFICATION / DATE BQ-11/25/2009	
MDMT <u>-20</u> °F AT <u>300</u> PSI		CRN: L4037.5C		TEST: HYDRO AT <u>390</u> PSI	
TEST: PNEU AT --- PSI				TEST: PNEU AT --- PSI	
				DATE: 11/19/2009	
				STEEL FAB	
				BURLINGTON, ONT LEBANON, VA	
				DRAWN BY: SAB P/N A10053-300	
				PAGE 1 OF 2 REV. 6	

REV	DATE	DESCRIPTION	ENG	QCM	AI/DATE
3	3/31/15	CHANGED PAINT TO POWDER PAINT	MW	JP	N/A
4	7/19/18	CHANGED LIFT LUGS, WAS LL0063	MG	BW	BQ 7/24/18
5	10/15/18	UPDATED TO DIVISIONAL WELD PROCEDURES, UPDATED CRN	MG	BW	NA
6	8/3/21	ADDED JOINT DETAIL SKETCH	RM	N/A	

