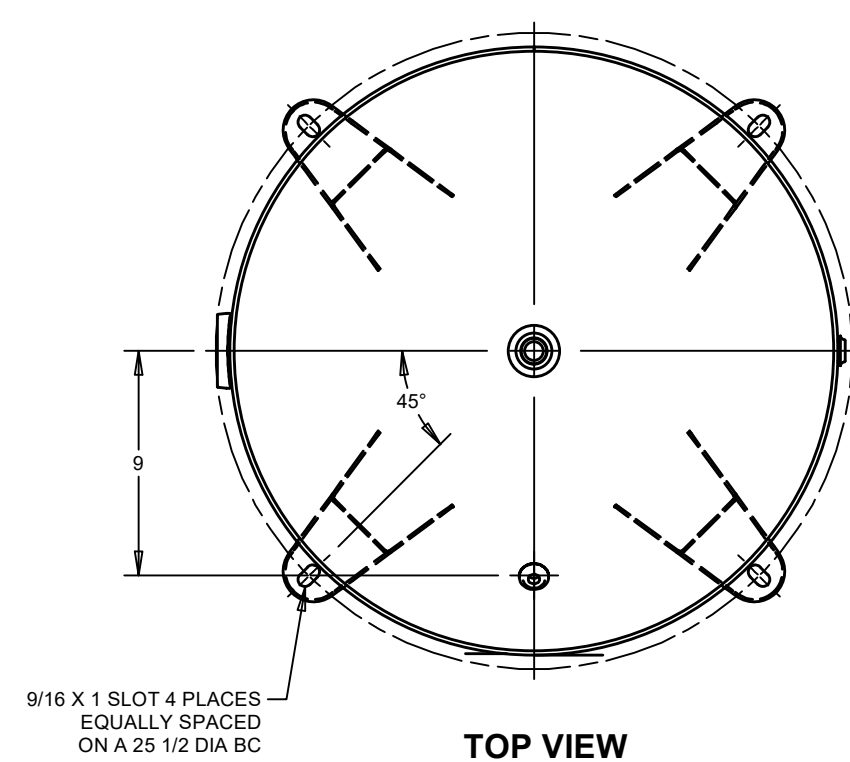
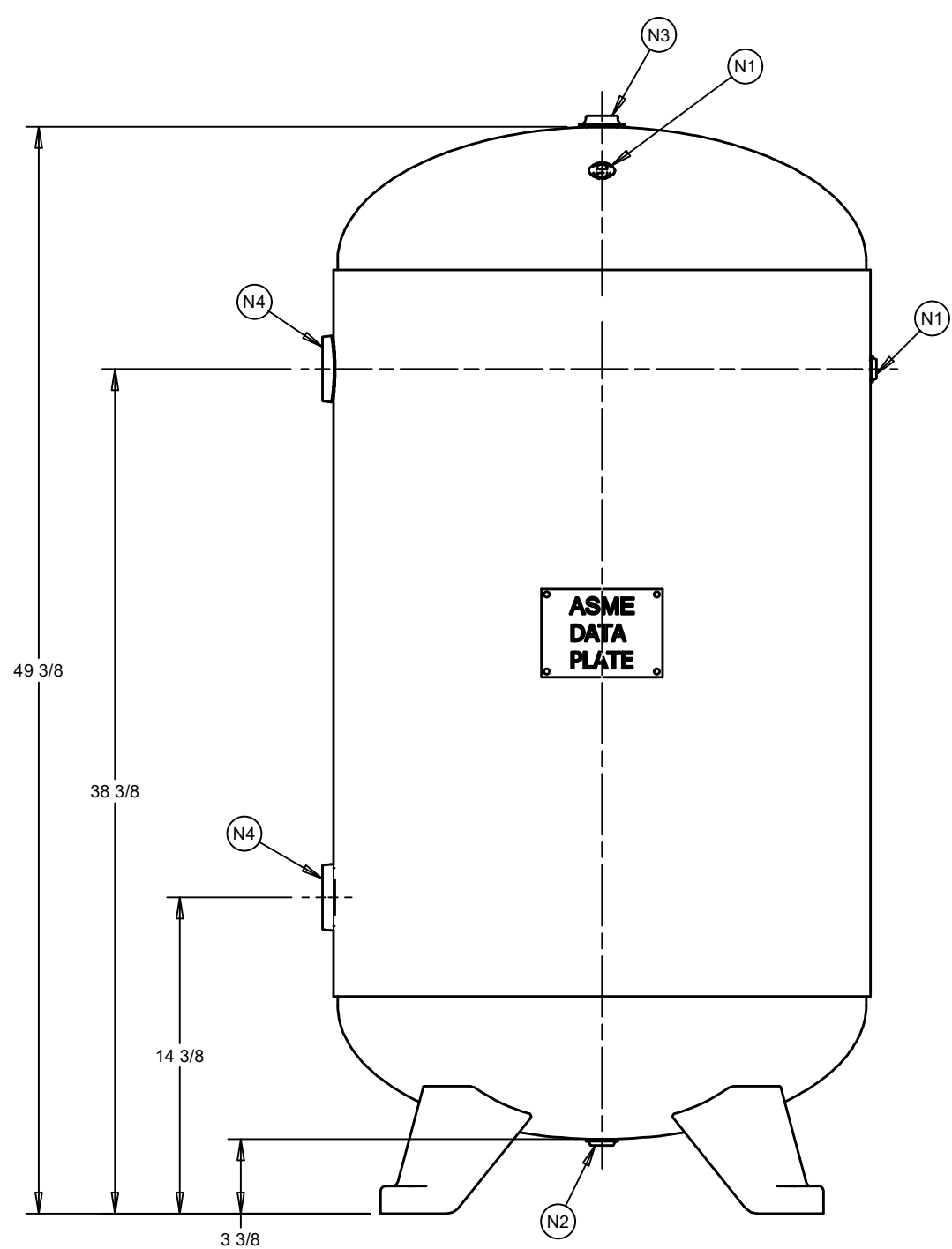


NOZZLE CHART	
NOZZLE ID	NPT SIZE
N1	1/4
N2	1/2
N3	3/4
N4	2



DESIGN INFORMATION	
SPECIFICATION	VALUE
DIAMETER O.D./I.D.	24 I.D.
MAWP	200 PSI AT 400°F
MDMT	-20°F AT 200 PSI
CAPACITY	APPROX 80 GALLONS
SHIPPING WEIGHT	205 LBS
CRN	M3330.5C

TITLE VERTICAL AIR RECEIVER					
CUSTOMER STOCK					
TYPE ASME		SIZE: B SHEET 1 OF 1			

(BUILT IN ACCORDANCE WITH LATEST EDITION OF SECTION VIII DIV 1 ASME CODE)

THIS DRAWING & SPECIFICATIONS ARE PROPERTY OF SPVG AND MAY NOT BE COPIED, REPRODUCED, OR USED IN WHOLE OR PART, AS A BASIS FOR DESIGN MANUFACTURE OR SALE WITHOUT PRIOR PERMISSION FROM SPVG.

C14	ISSUED		
REV	DESCRIPTION	BY	DATE