

NOTES:

1.

WEIGHT (APPROXIMATE)				
MODEL NAME	120 GALLON	240 GALLON	500 LITRE	750 LITRE
RS11i	676 KG (1490 LBS)	810 KG (1785 LBS)	734 KG (1619 LBS)	775 KG (1709 LBS)
RS15i	668 KG (1473 LBS)	802 KG (1768 LBS)	750 KG (1653 LBS)	790 KG (1742 LBS)
RS18i	663 KG (1463 LBS)	797 KG (1758 LBS)	782 KG (1725 LBS)	822 KG (1813 LBS)
RS22i	702 KG (1549 LBS)	836 KG (1844 LBS)	804 KG (1773 LBS)	845 KG (1863 LBS)
RS15n	819 KG (1805 LBS)	953 KG (2100 LBS)	875 KG (1928 LBS)	915 KG (2018 LBS)
RS18n	835 KG (1840 LBS)	969 KG (2135 LBS)	890 KG (1963 LBS)	931 KG (2053 LBS)
RS22n	851 KG (1877 LBS)	985 KG (2172 LBS)	907 KG (1999 LBS)	948 KG (2089 LBS)
RS11i TAS	825 KG (1818 LBS)	959 KG (2113 LBS)	883 KG (1948 LBS)	924 KG (2037 LBS)
RS15i TAS	817 KG (1802 LBS)	951 KG (2097 LBS)	899 KG (1981 LBS)	939 KG (2071 LBS)
RS18i TAS	812 KG (1791 LBS)	946 KG (2086 LBS)	931 KG (2053 LBS)	971 KG (2141 LBS)
RS22i TAS	856 KG (1888 LBS)	990 KG (2183 LBS)	958 KG (2113 LBS)	999 KG (2203 LBS)
RS15n TAS	968 KG (2134 LBS)	1102 KG (2429 LBS)	1024 KG (2257 LBS)	1064 KG (2346 LBS)
RS18n TAS	984 KG (2169 LBS)	1118 KG (2464 LBS)	1039 KG (2292 LBS)	1080 KG (2381 LBS)
RS22n TAS	1005 KG (2216 LBS)	1139 KG (2511 LBS)	1061 KG (2339 LBS)	1102 KG (2429 LBS)

2. USE FORK LIFT TUBES FOR MACHINE LIFTING.

3.

COOLING AIR FLOW		
MODEL NAME	50 Hz (CFM)	60 Hz (CFM)
FS/VS NON-TAS	2430	2295
FS/VS TAS	(2430+941)	(2295+941)

4. PIPE CONDENSATE DRAIN LINES SEPARATELY TO BASE DUE TO DIFFERENCES IN DRAIN PRESSURES. READ OPERATIONS MANUAL AND CHECK LOCAL REGULATIONS.

5. LUBRICANT FILL QUANTITY: 11.0 LITRES (2.90 US GALLONS)

6. RECOMMENDED CLEARANCE ON 3 SIDES 915 MM (36 INCHES); THE STARTER BOX SIDE IS 915 MM (36 INCHES) OR MINIMUM AS REQUIRED BY LATEST NATIONAL ELECTRICAL CODE OR APPLICABLE LOCAL CODES.

7. EXTERNAL PIPING SHOULD NOT EXERT ANY UNRESOLVED MOMENTS OR FORCES ON UNIT. USE PIPE OF EQUAL OR GREATER SIZE AT DISCHARGE LOCATION OF UNIT.

8. THERE SHOULD BE NO PLASTIC OR PVC PIPING ATTACHED TO THIS UNIT OR USED FOR ANY LINES DOWNSTREAM.

9. FIELD INSTALLED DUCTING TO AND FROM COMPRESSOR CANNOT ADD MORE THAN 6MM (.25 INCH) OF WATER TOTAL AIR RESISTANCE.

10. UNIT HAS AN INTERNAL DISCHARGE CHECK VALVE, EXTERNAL CHECK VALVE NOT REQUIRED. ISOLATION VALVE REQUIRED WITHIN 915 MM (36 INCHES) OF THE COMPRESSOR DISCHARGE.

11. COMPRESSOR MUST BE INSTALLED ON A LEVEL FLOOR CAPABLE OF SUPPORTING ENTIRE CONTACT SURFACE OF THE BASE FRAME. COMPRESSOR SHOULD BE BOLTED TO THE FLOOR WITH FOUR (4) M16 (3/4 INCH) BOLTS USING HOLES SHOWN ON SHEET 5. SEAL BASE TO FLOOR WITH CORK OR RUBBER.

12. DO NOT PIPE INTO A COMMON HEADER WITH A RECIPROCATING COMPRESSOR. UNLESS RECIP COMPRESSOR UTILIZES A DIS-CHARGE PULSATION DAMPENER.

13.  DENOTES CENTER OF GRAVITY ±30MM.

14. SIZING OF ELECTRICAL COMPONENTS NOT SUPPLIED BY INGERSOLL-RAND IS THE RESPONSIBILITY OF THE CUSTOMER AND SHOULD BE DONE IN ACCORDANCE WITH THE INFORMATION ON THE COMPRESSOR DATA PLATE, NATIONAL AND LOCAL ELECTRIC CODES.

15. A BLANK GLAND PLATE IS PROVIDED FOR ELECTRICAL POWER INLET AS INDICATED.

16. WHEN INSTALLED INDOORS IN A CONFINED SPACE, THE COOLING AIR EXHAUST MUST BE DUCTED AWAY FROM UNIT TO PREVENT RECIRCULATION OF HOT EXHAUST AIR.


17. CONNECTION LEGEND
 - ALL 60 Hz CONNECTIONS ARE NPT (UNLESS SPECIFIED OTHERWISE)
 - ALL 50 Hz CONNECTIONS ARE BSPT (UNLESS SPECIFIED OTHERWISE)

CUSTOMER CONNECTION			
ITEM	DESCRIPTION	NON-TAS	TAS
A	DISCHARGE AIR	1.00 INCH (FEMALE)	1.00 INCH (FEMALE)
B	ELECTRICAL INLET	63.5 MM	63.5 MM
C	PACKAGE AIR INLET (COMPRESSOR)		
D	PACKAGE AIR EXHAUST (COMPRESSOR)		
E	AIR INLET (VSD)		
F	AIR EXHAUST (VSD)		
G	PACKAGE AIR INLET (DRYER)		
H	PACKAGE AIR EXHAUST (DRYER)		
I	CONDENSATE DRAIN (DRYER)	NA	0.25 INCH
J	CONDENSATE DRAIN MANUAL (RECEIVER)	0.25 INCH NPT(MALE)	0.25 INCH NPT(MALE)
K	CONDENSATE DRAIN TIMER (RECEIVER)	0.25 INCH NPT(FEMALE)	0.25 INCH NPT(FEMALE)

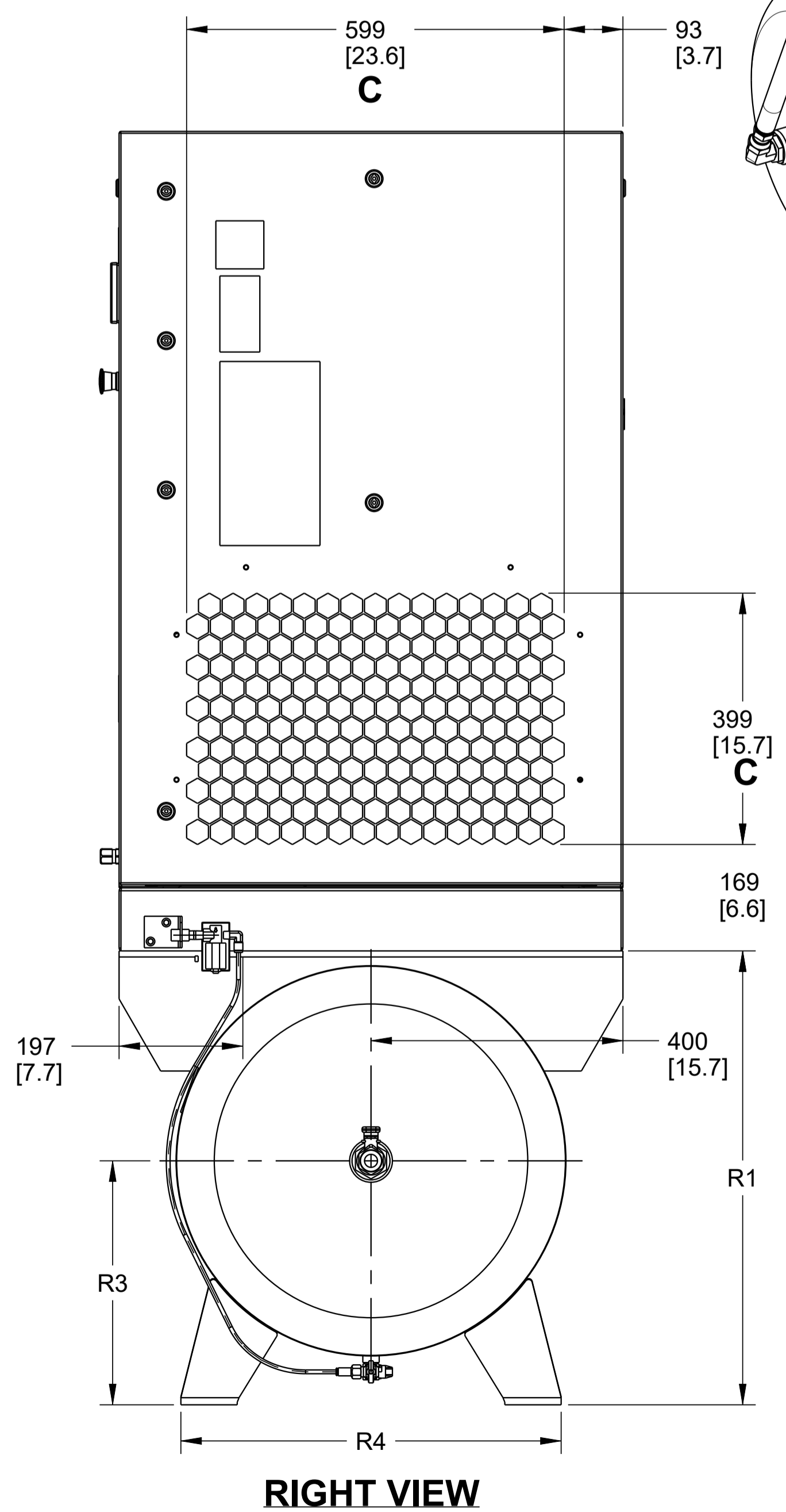
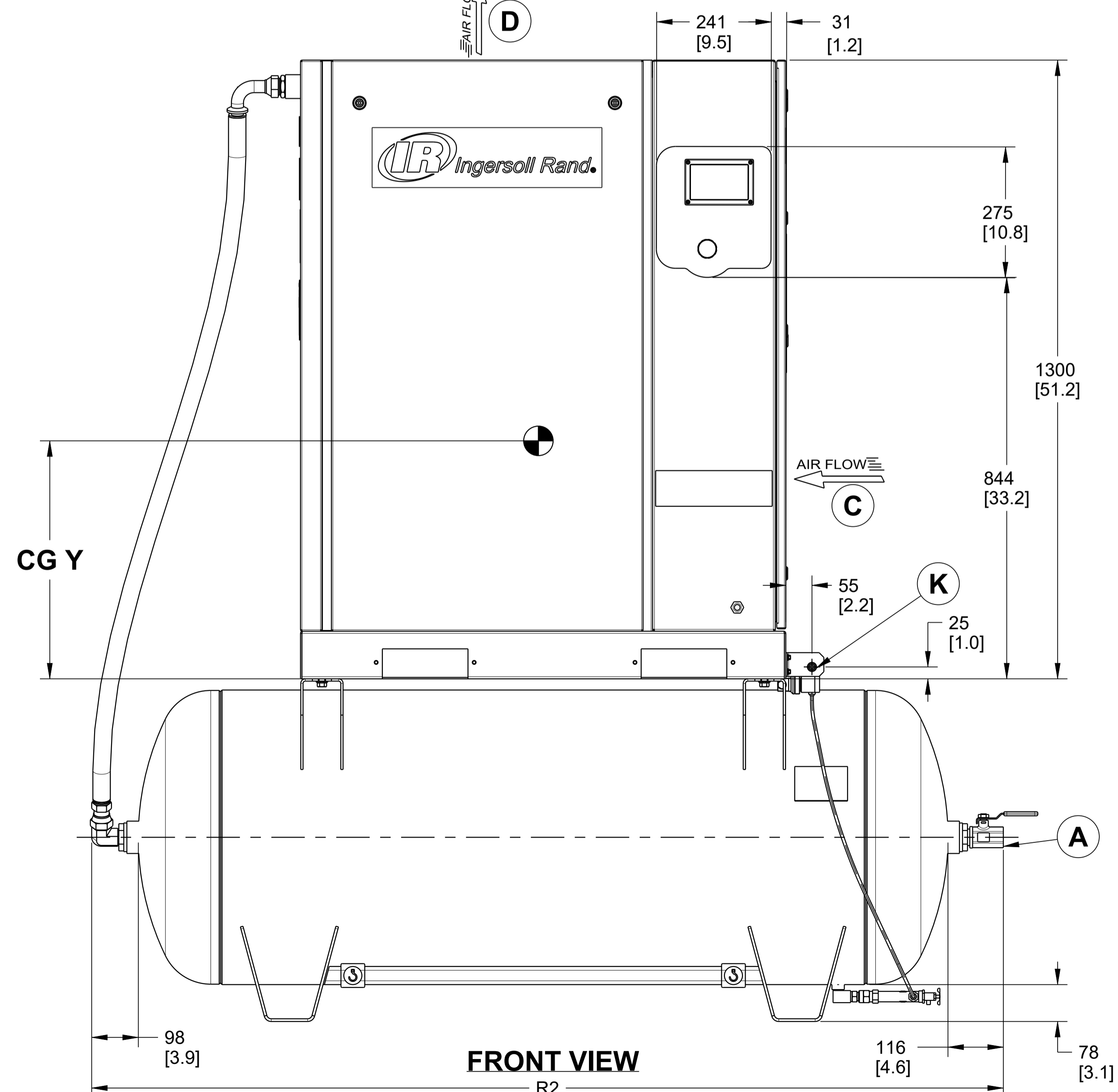
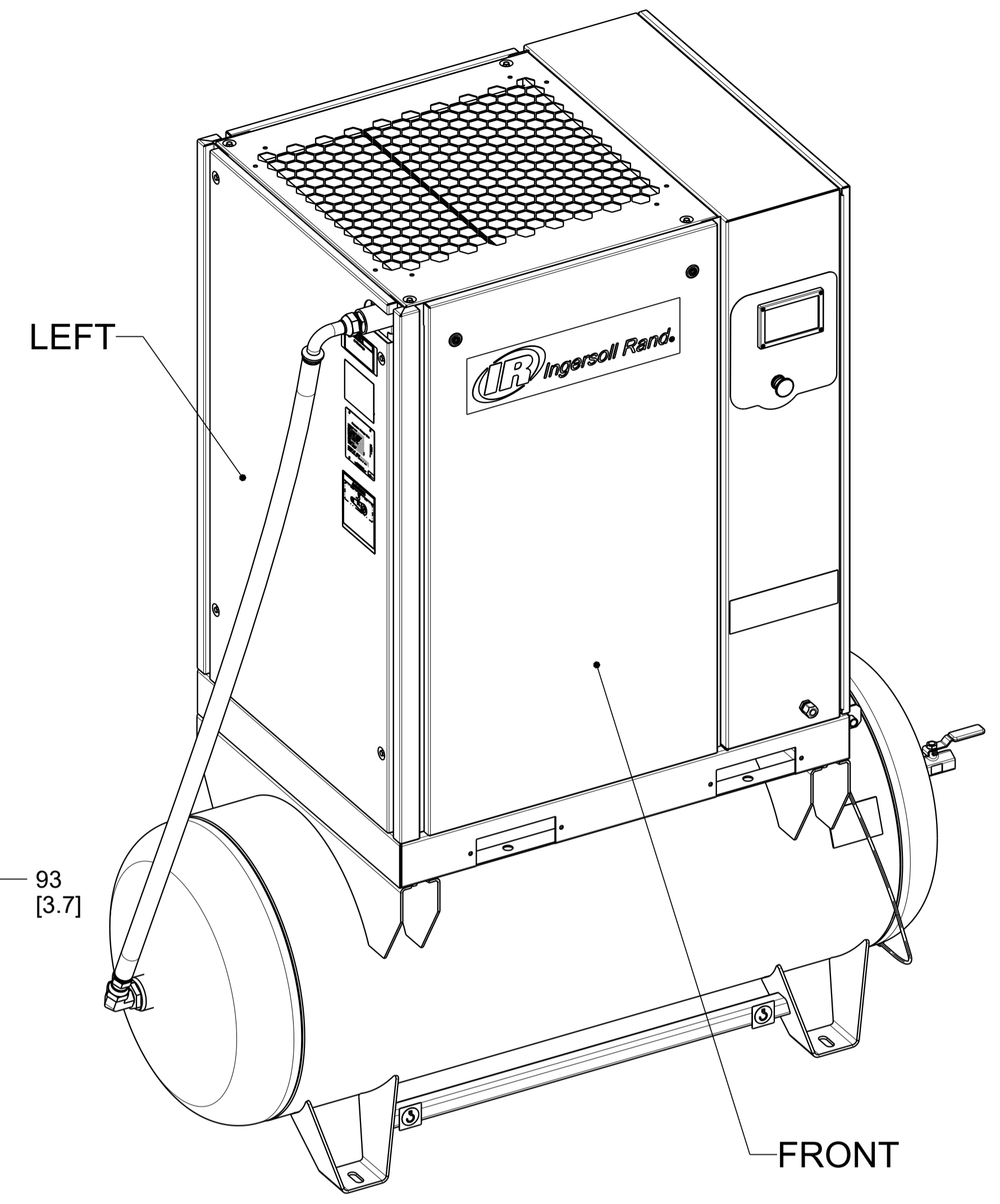
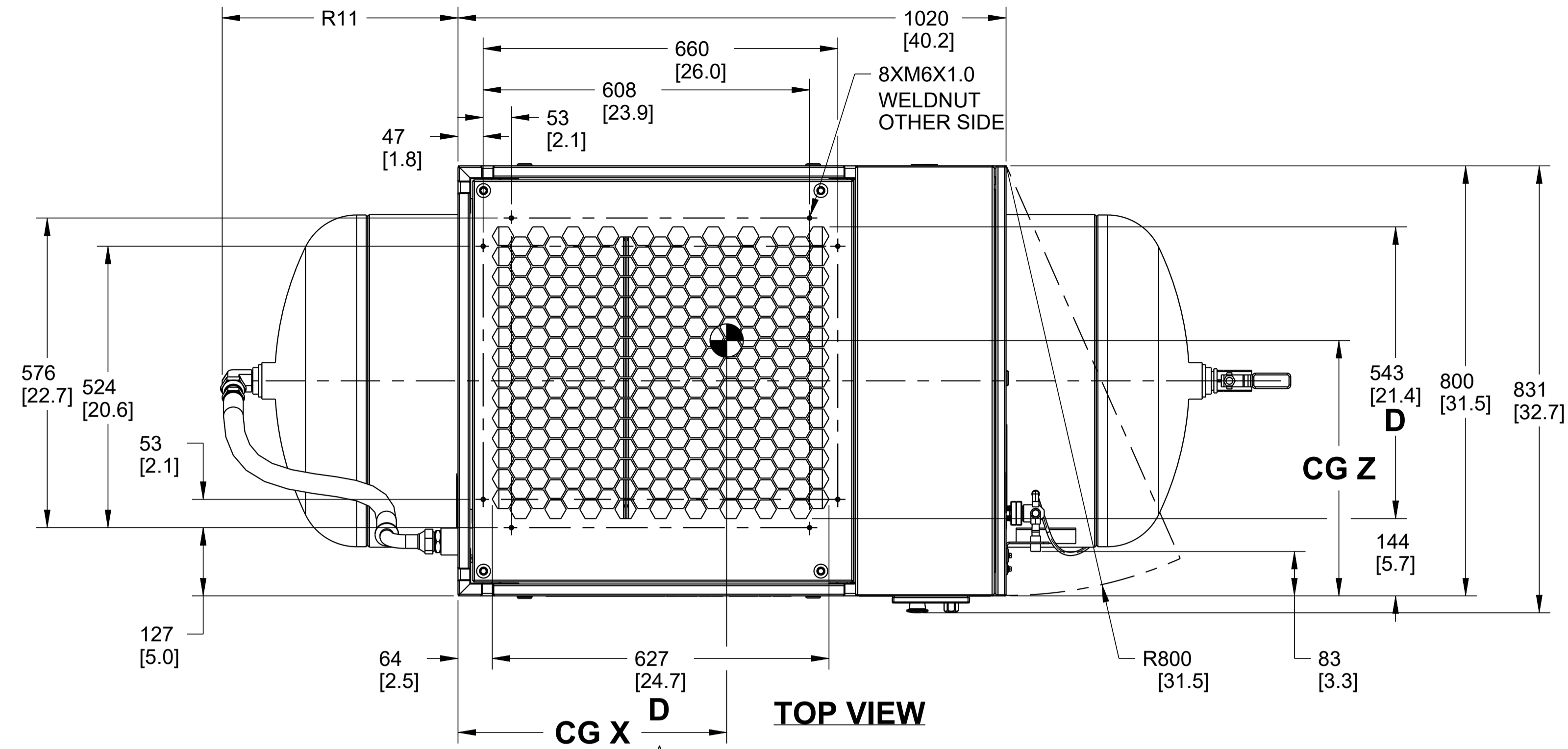
CENTER OF GRAVITY TABLE MM [INCH]				
MACHINE	RECEIVER CAPACITY	CG X	CG Y	CG Z
FIXED SPEED	120 GALLON	434 [17.1]	351 [13.8]	423 [16.7]
	240 GALLON	447 [17.6]	211 [8.3]	419 [16.5]
	500 LITRE	445 [17.5]	307 [12.1]	403 [15.9]
	750 LITRE	449 [17.7]	251 [9.9]	410 [16.1]
VSD	120 GALLON	537 [21.1]	374 [14.7]	441 [17.4]
	240 GALLON	553 [21.7]	249 [9.8]	435 [17.1]
	500 LITRE	543 [21.4]	330 [13.0]	438 [17.2]
FIXED SPEED+TAS	120 GALLON	749 [29.5]	379 [14.9]	412 [16.2]
	240 GALLON	751 [29.6]	260 [10.2]	410 [16.2]
	500 LITRE	762 [30.0]	340 [13.4]	418 [16.4]
	750 LITRE	762 [30.0]	293 [11.5]	417 [16.4]
VSD+TAS	120 GALLON	856 [33.7]	394 [15.5]	592 [23.3]
	240 GALLON	861 [33.9]	286 [11.3]	424 [16.7]
	500 LITRE	857 [33.8]	356 [14.0]	660 [26.0]
750 LITRE	859 [33.8]	312 [12.3]	425 [16.7]	

RECEIVER DIMENSIONS MM [INCH]														
RECEIVER CAPACITY	R1	R2	R3	R4	R5	R6	R7	R8	R9	R10	R11	R12	R13	R14
120 GALLON	695 [27.4]	1916 [75.4]	387 [15.2]	604 [23.8]	680 [26.8]	530 [20.9]	265 [10.4]	1067 [42.0]	317 [12.5]	229 [9.0]	439 [17.3]	299 [11.7]	189 [7.4]	49 [1.9]
240 GALLON	863 [34.0]	2335 [91.9]	445 [17.5]	645 [25.4]	844 [33.2]	547 [21.5]	273 [10.7]	1067 [42.0]	552 [21.7]	255 [10.0]	649 [25.5]	515 [20.3]	399 [15.7]	265 [10.4]
500 LITRE	690 [27.2]	2119 [83.4]	357 [14.1]	604 [23.8]	686 [27.0]	530 [20.9]	265 [10.4]	1067 [42.0]	417 [16.4]	251 [9.9]	544 [21.4]	404 [15.9]	294 [11.6]	154 [6.1]
750 LITRE	847 [33.3]	2098 [82.6]	435 [17.1]	645 [25.4]	847 [33.3]	547 [21.5]	273 [10.7]	1067 [42.0]	412 [16.2]	295 [11.6]	534 [21.0]	394 [15.5]	284 [11.2]	144 [5.6]

REVISIONS					
ZONE	REV	ECN	DESCRIPTION	DATE	APPROVED
1-C8	A	1298388	ORIGINAL RELEASE	2018OCT11	S.GOTHI H.PATEL
1-D8	B	1368450	NOTE 6 : CLEARANCE RECOMMENDED 36 INCHES WAS 40 INCHES.	2019AUG12	S.GOTHI KR MAHESH
1-B1			RS15N,RS18N,RS22N - 120G, 240G : WEIGHT, COG , R12 AND R14 DETAILS ARE ADDED.		
1-B5			CHANGE R1 AND R3 DETAIL FOR 120 GA RECEIVER.		
3-D3			REMOVED DETAIL VIEW PB, RB, TB & UB.		
2-A5			DIM 78[3.1] WAS 49[1.9]		
10A1	C	1369683	ADDED SHT 10: OUTDOOR MOD FOR FS NON-TAS.	2019AUG20	R. REDMON C. H. FRAZIER
1-D8	D	1373194	CORRECTED WEIGHT OF RS15n, RS18n, RS22n & RS15n TAS, RS18n TAS, RS22n TAS	2019SEP10	M.GUPTA KR.MAHESH

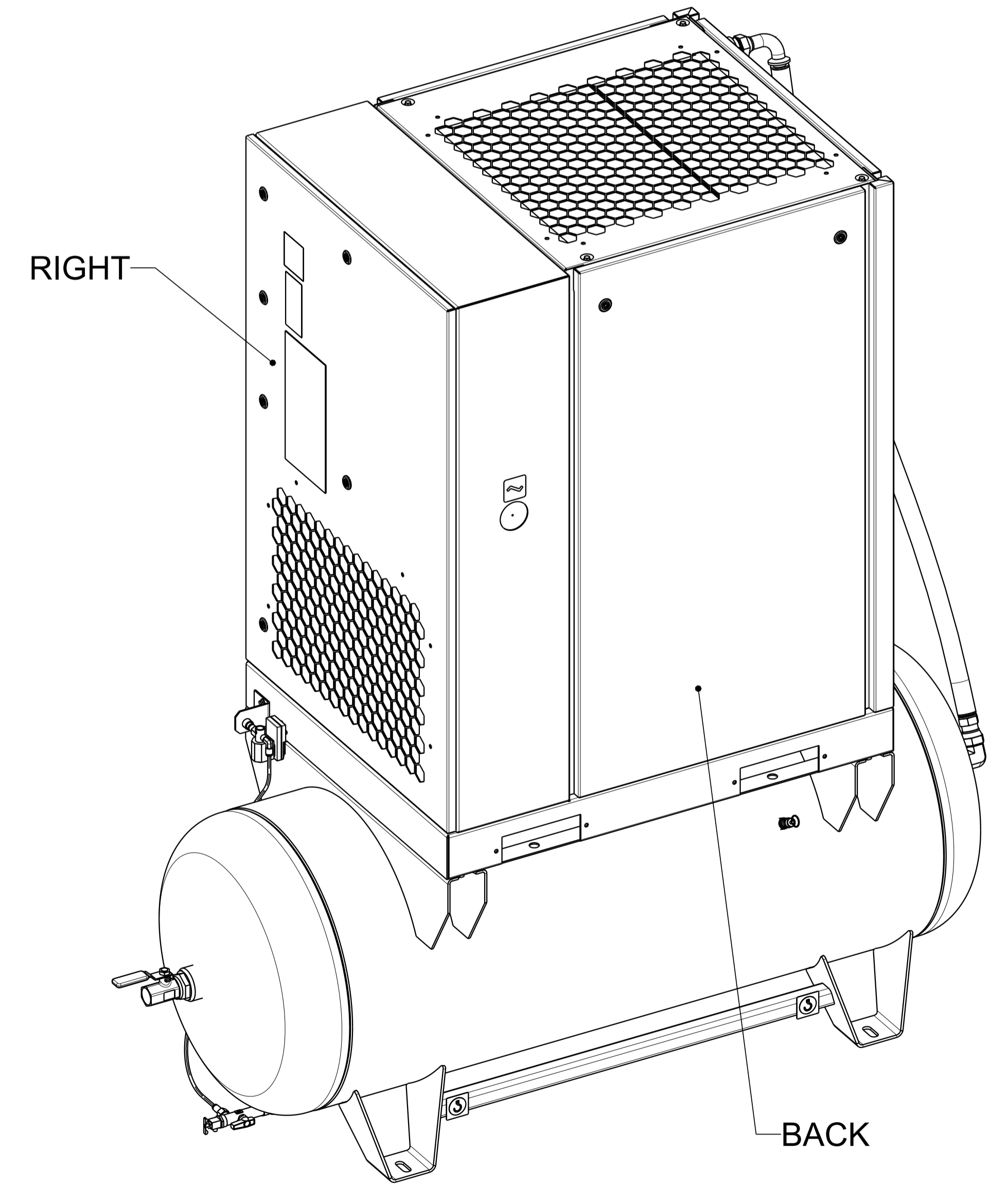
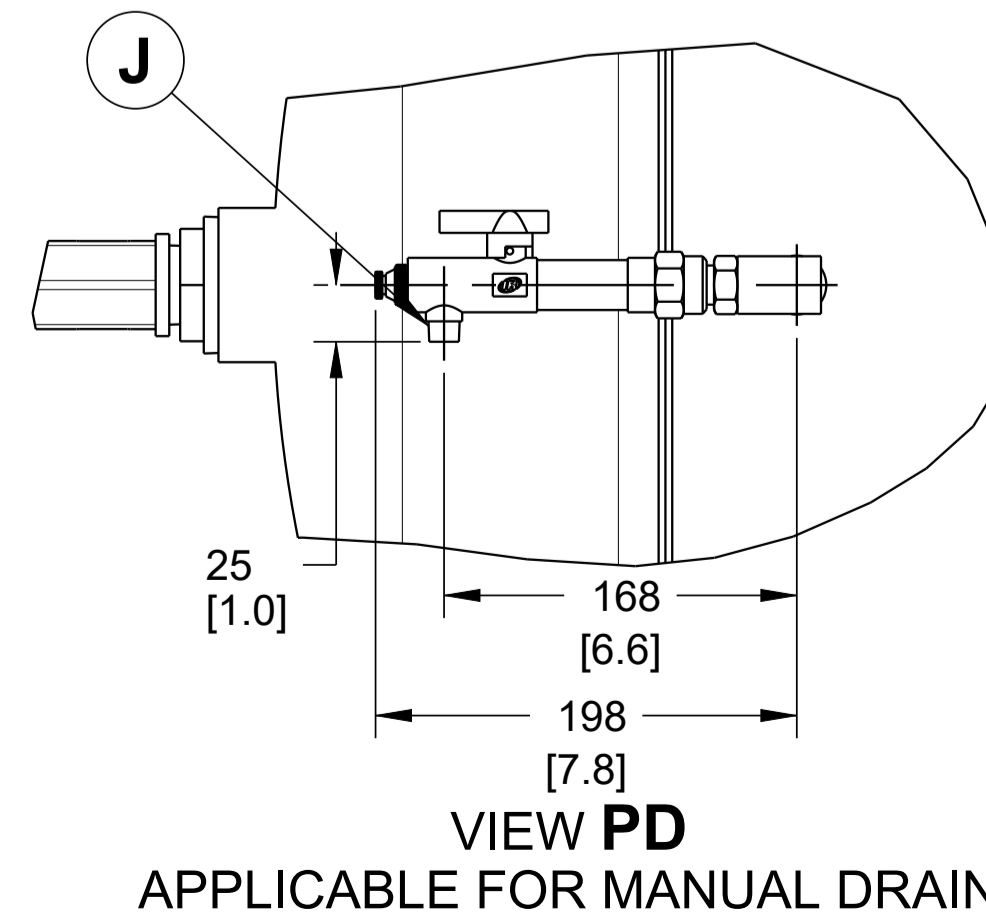
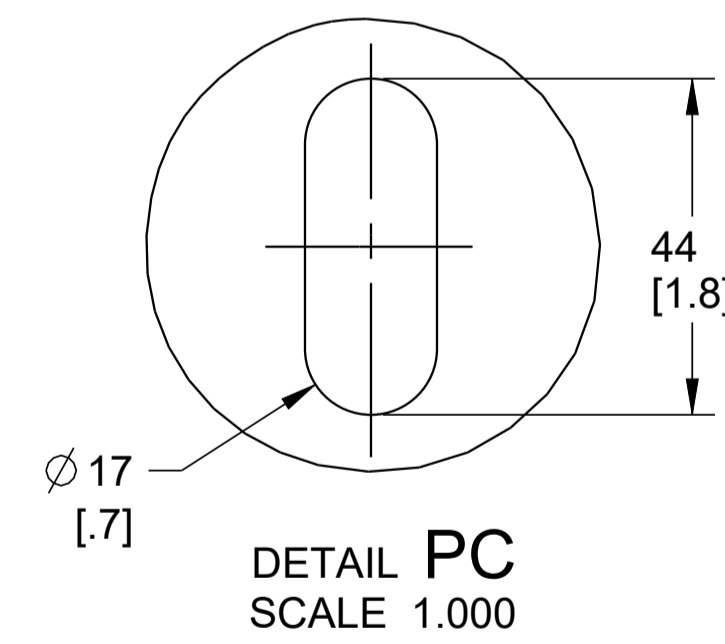
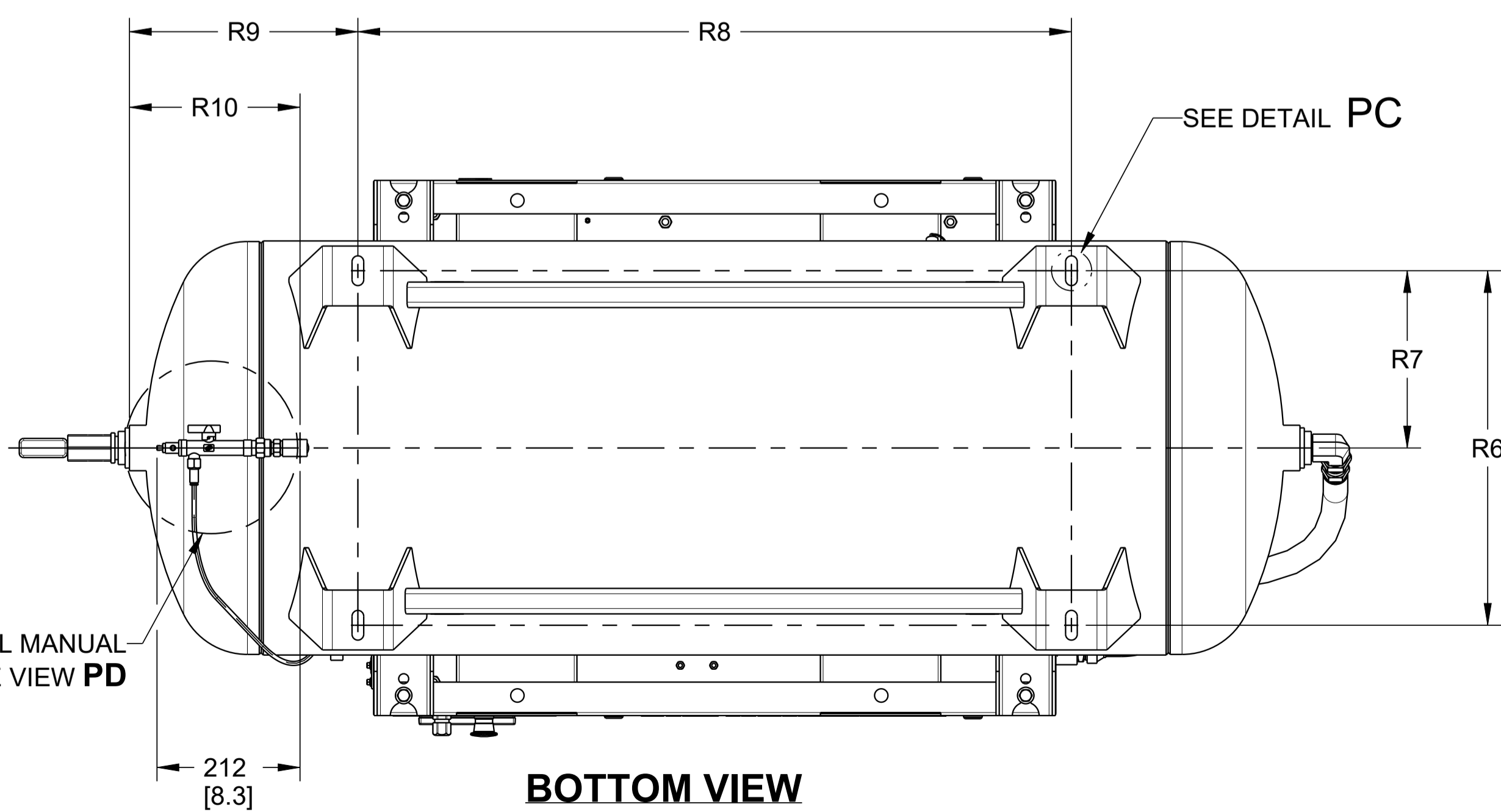
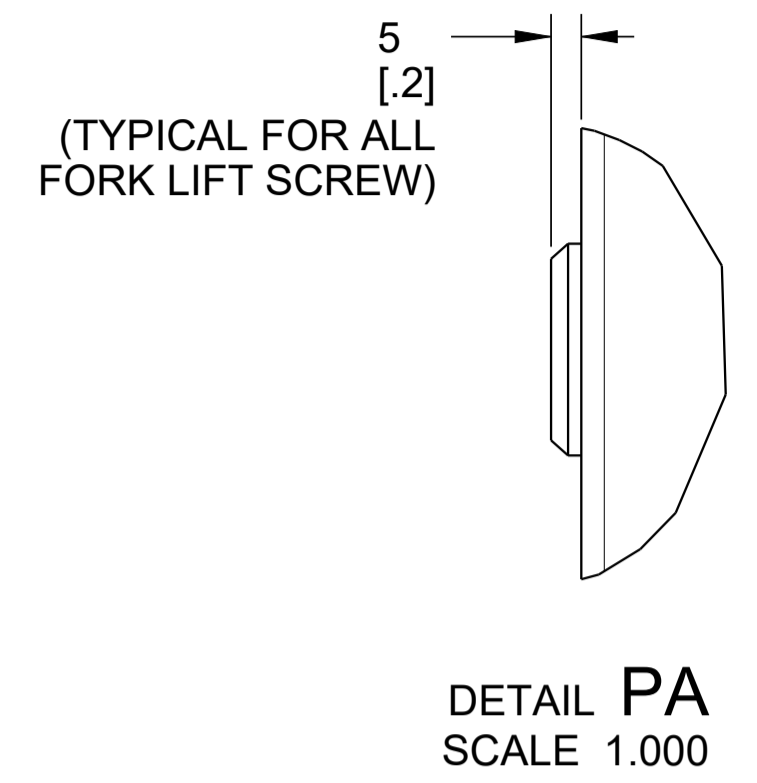
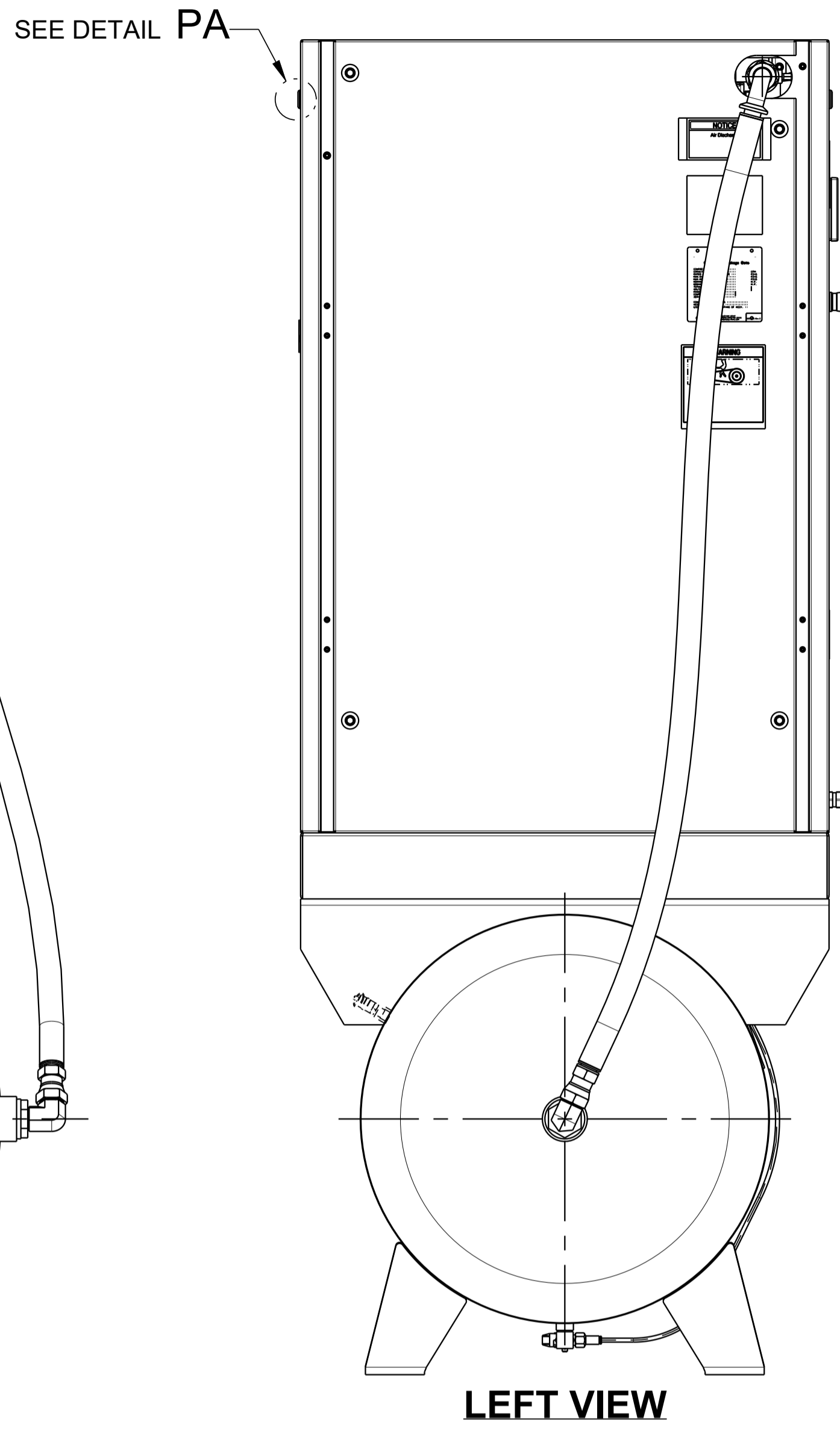
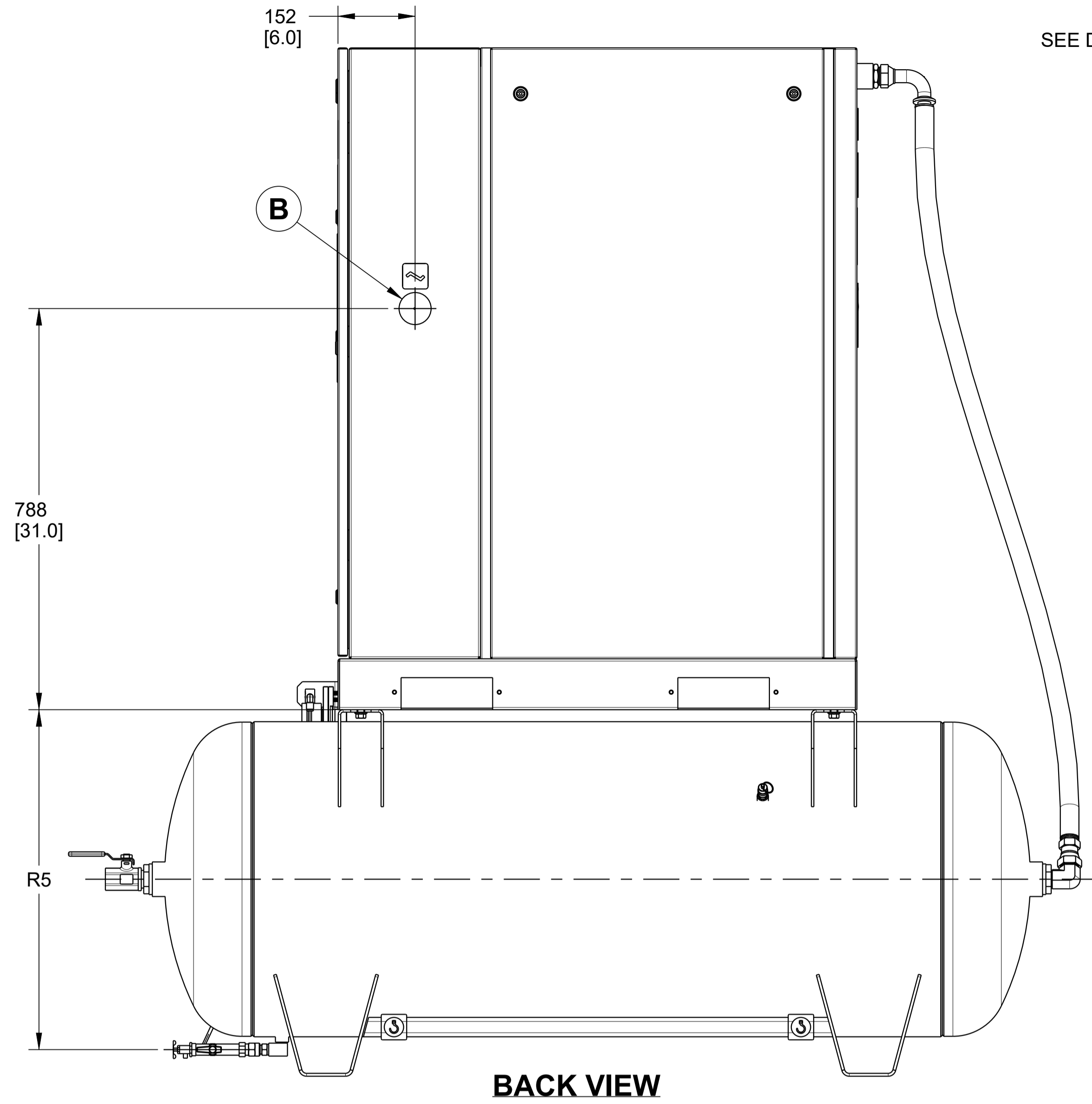
GENERAL ARRANGEMENT TOLERANCES		WARNING: THE EXPORT OR REEXPORT OF THIS DRAWING OR A PRODUCT PRODUCED BY THIS DRAWING IS SUBJECT TO U.S. EXPORT ADMINISTRATION REGULATIONS AND OTHER APPLICABLE GOVERNMENT RESTRICTIONS OR REGULATIONS.		DO NOT SCALE DRAWING		THIRD ANGLE PROJECTION			
ALL DIMENSIONS ARE IN MILLIMETERS [INCHES (IF SHOWN)]		PROPRIETARY NOTICE		DRAWING CONFORMS TO ASME Y14.5M - 1994		DRAWN DATE			
UNSPECIFIED TOLERANCES:		THIS DRAWING CONTAINS CONFIDENTIAL AND TRADE SECRET INFORMATION, IS THE PROPERTY OF INGERSOLL-RAND CO., AND IS GIVEN TO THE RECEIVER IN CONFIDENCE. THE RECEIVER BY RECEPTION AND RETENTION OF THE DRAWING ACCEPTS THE DRAWING IN CONFIDENCE AND AGREES THAT, EXCEPT AS AUTHORIZED IN WRITING BY INGERSOLL-RAND CO. IT WILL (1) NOT USE THE DRAWING OR ANY COPY THEREOF OR THE CONFIDENTIAL OR TRADE SECRET INFORMATION THEREIN; (2) NOT COPY THE DRAWING; (3) NOT DISCLOSE TO OTHERS EITHER THE DRAWING OR THE CONFIDENTIAL OR TRADE SECRET INFORMATION THEREIN; AND (4) UPON COMPLETION OF THE NEED TO RETAIN THE DRAWING, OR UPON DEMAND, RETURN THE DRAWING, ALL COPIES THEREOF, AND ALL MATERIAL COPIED THEREFROM.		CAD GENERATED DRAWING, NO MANUAL REVISIONS ALLOWED		CHECKED DATE		GENERAL ARRANGEMENT, RS11-22i, RS15-22n, RECEIVER MOUNTED	
WHOLE : ±13.0[.50] X : ±6.0[.25] ANGLES : ±1°		UNLESS OTHERWISE SPECIFIED: - REMOVE ALL BURRS AND SHARP CORNERS - WELD SYMBOLS TO BE IN ACCORDANCE WITH ANSII/AWS A2.4		APPROVED DATE		A1 ESTIMATED WEIGHT (UNLESS OTHERWISE SPECIFIED) DWG NO. 47637549001 REVISION D SCALE 0.20 MODEL PART NO. RS 11-22i, RS 15-22n & TAS SHEET 1 OF 10			
Ingersoll-Rand Industrial Technologies		COPYRIGHT © 2019 Ingersoll Rand ALL RIGHTS RESERVED		General Arrangement Drawing NOMENCLATURE					

OPTION: FS NON-TAS WITH RECEIVER



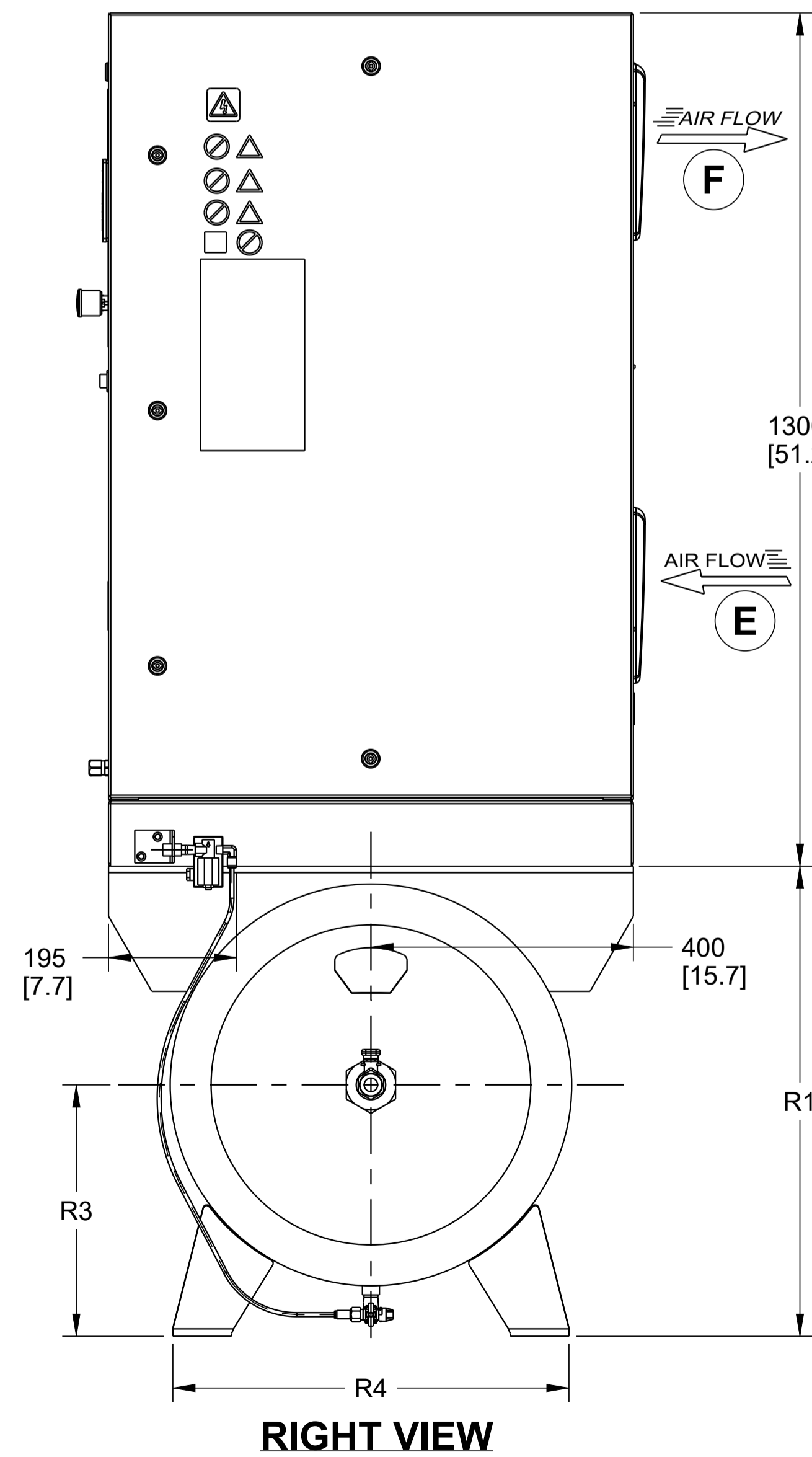
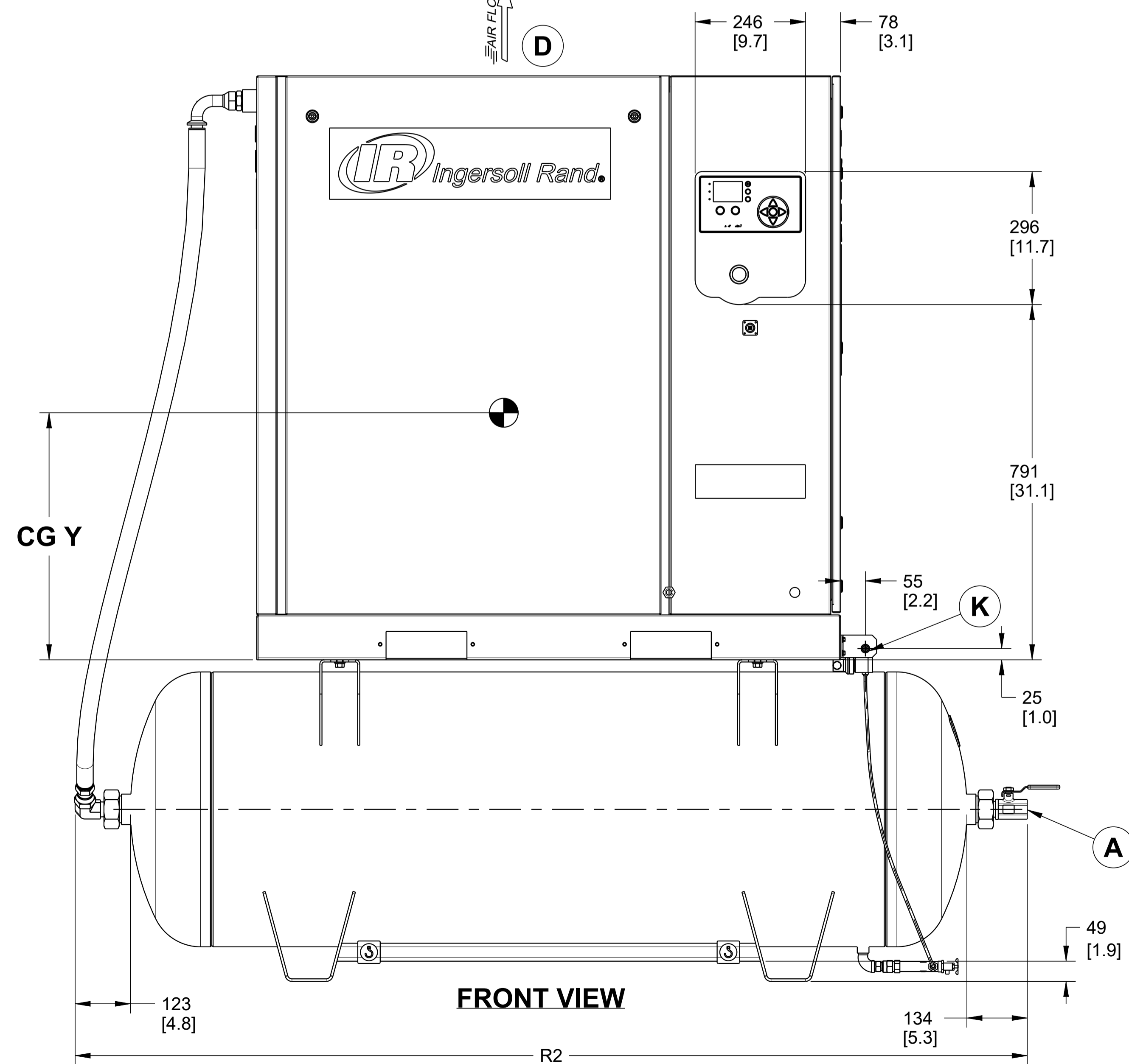
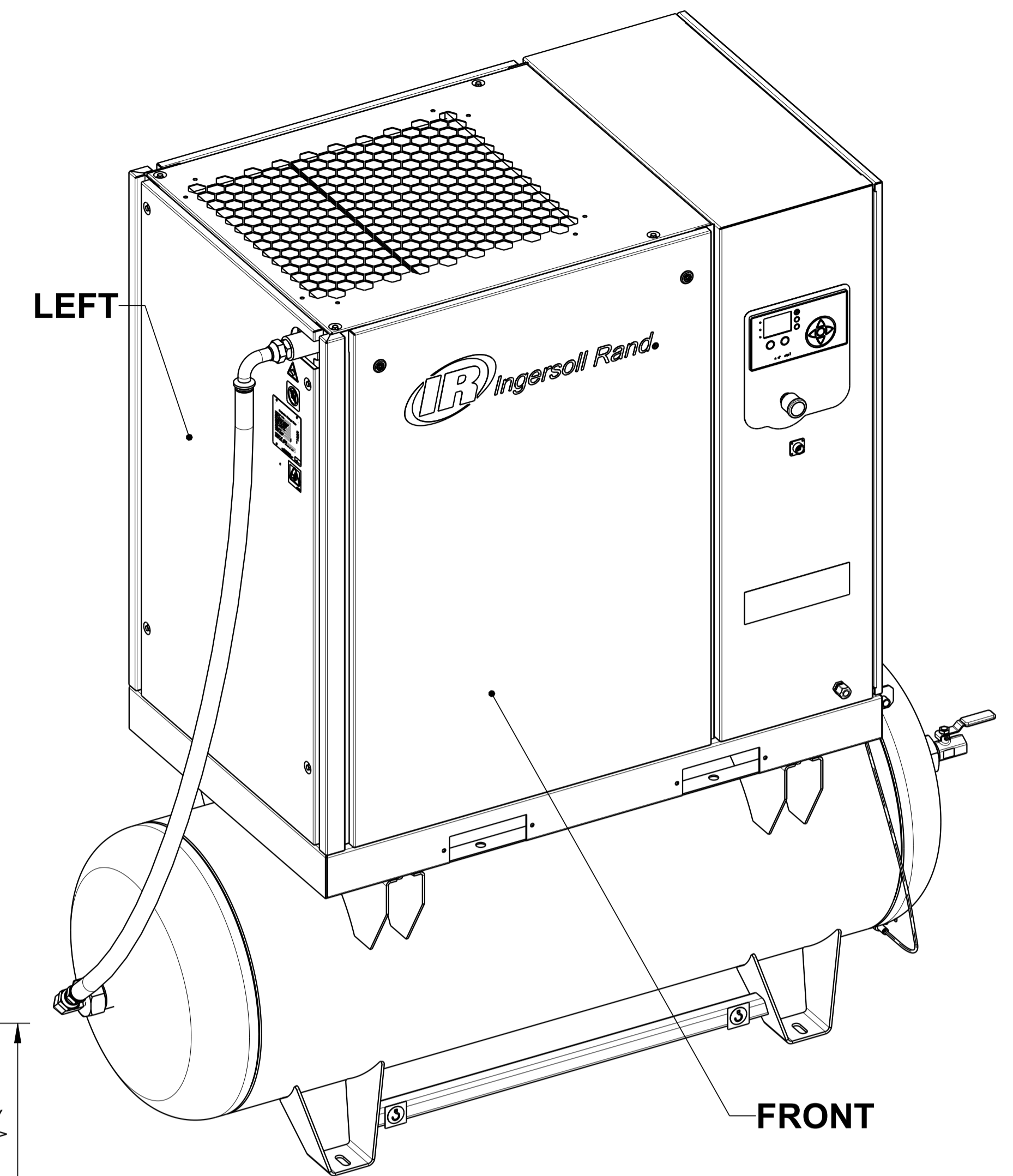
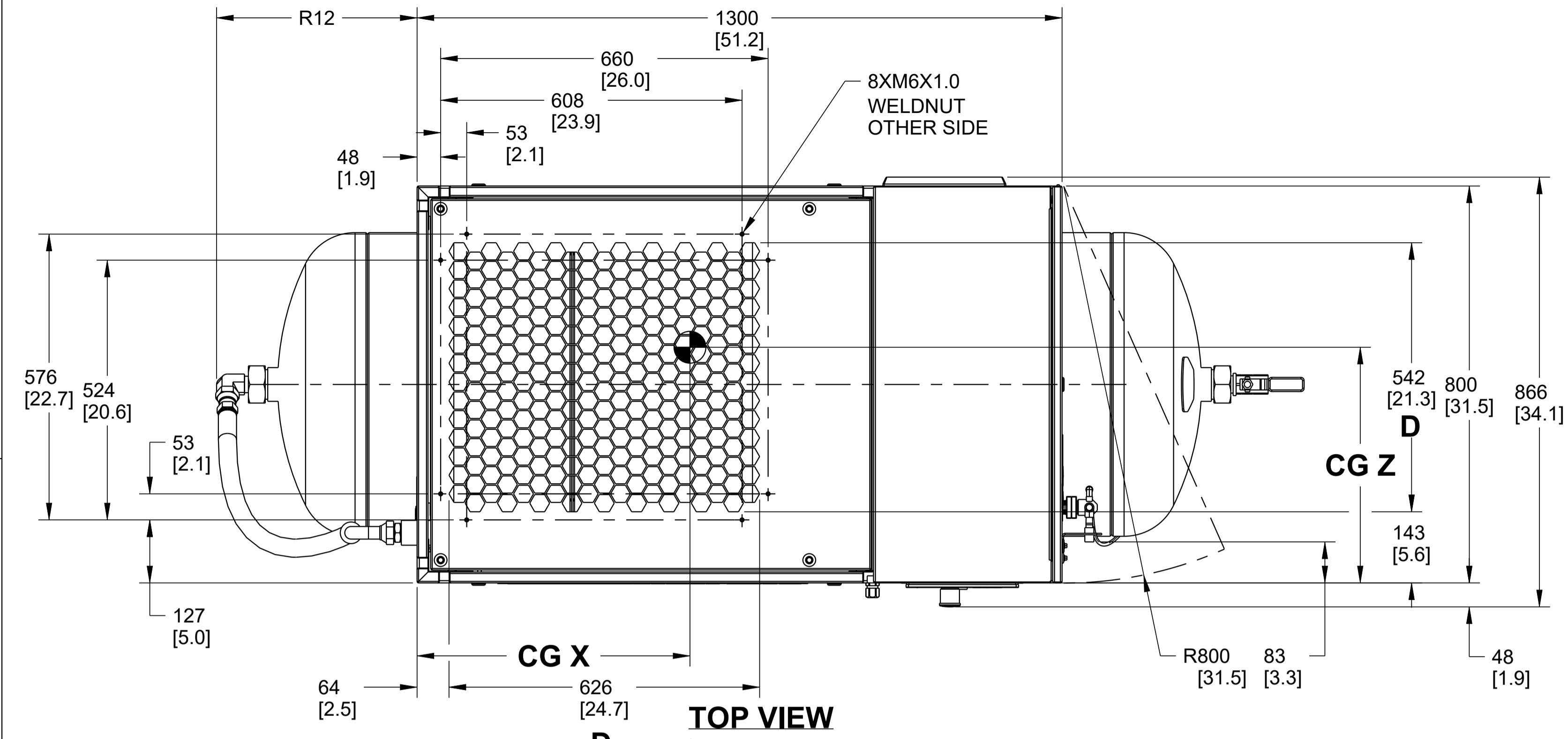
<small>PROPRIETARY NOTICE</small> THIS DRAWING CONTAINS CONFIDENTIAL AND TRADE SECRET INFORMATION IS THE PROPERTY OF INGERSOLL RAND CO. AND IS GIVEN TO THE RECEIVER IN CONFIDENCE. THE RECEIVER BY RECEIPT AND RETENTION OF THIS DRAWING ACCEPTS THE DRAWING IN CONFIDENCE AND AGREES THAT, EXCEPT AS AUTHORIZED IN WRITING BY INGERSOLL RAND CO. IT WILL (1) NOT USE THE DRAWING OR ANY COPY THEREOF OR THE CONFIDENTIAL OR TRADE SECRET INFORMATION THEREIN, (2) NOT COPY THE DRAWING, (3) NOT DISCLOSE TO OTHERS EITHER THE DRAWING OR THE CONFIDENTIAL OR TRADE SECRET INFORMATION THEREIN, AND (4) UPON COMPLETION OF THE NEED TO RETAIN THE DRAWING OR UPON DEMAND, RETURN THE DRAWING, ALL COPIES THEREOF, AND ALL MATERIAL COPIED THEREFROM.		NAME GENERAL ARRANGEMENT, RS11-22i, RS15-22i, RECEIVER MOUNTED	
SIZE A1	DWG NO. 47637549001	REVISION D	
SCALE 0.12	NOMENCLATURE	SHEET 2 OF 10	

OPTION: FS NON - TAS WITH RECEIVER



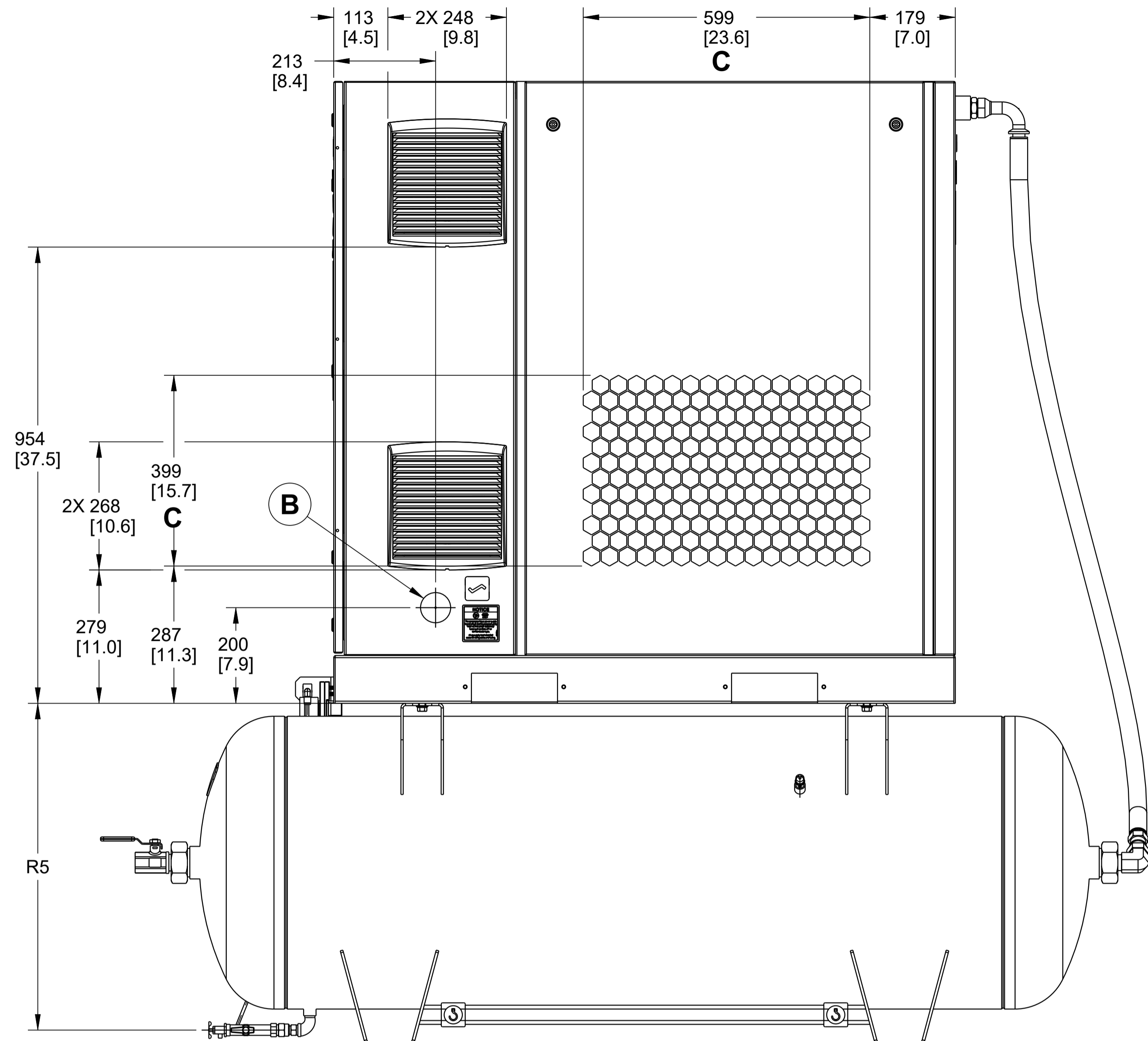
PROPRIETARY NOTICE		NAME	
<small>THIS DRAWING CONTAINS CONFIDENTIAL AND TRADE SECRET INFORMATION IS THE PROPERTY OF INGERSOLL-RAND CO. AND IS GIVEN TO THE RECEIVER IN CONFIDENCE. THE RECEIVER BY RECEIPT AND RETENTION OF THIS DRAWING ACCEPTS THE DRAWING IN CONFIDENCE AND AGREES THAT, EXCEPT AS AUTHORIZED IN WRITING BY INGERSOLL-RAND CO. IT WILL (1) NOT USE THE DRAWING OR ANY COPY THEREOF OR THE CONFIDENTIAL OR TRADE SECRET INFORMATION THEREIN, (2) NOT COPY THE DRAWING, (3) NOT DISCLOSE TO OTHERS EITHER THE DRAWING OR THE CONFIDENTIAL OR TRADE SECRET INFORMATION THEREIN, AND (4) UPON COMPLETION OF THE NEED TO RETAIN THE DRAWING OR UPON DEMAND, RETURN THE DRAWING, ALL COPIES THEREOF, AND ALL MATERIAL COPIED THEREFROM.</small>			
SIZE	DWG NO.	REVISION	
A1		D	
PART NO.		SHEET	
47637549001		3 OF 10	
SCALE	NOMENCLATURE		
0.13			

OPTION: VSD NON-TAS WITH RECEIVER

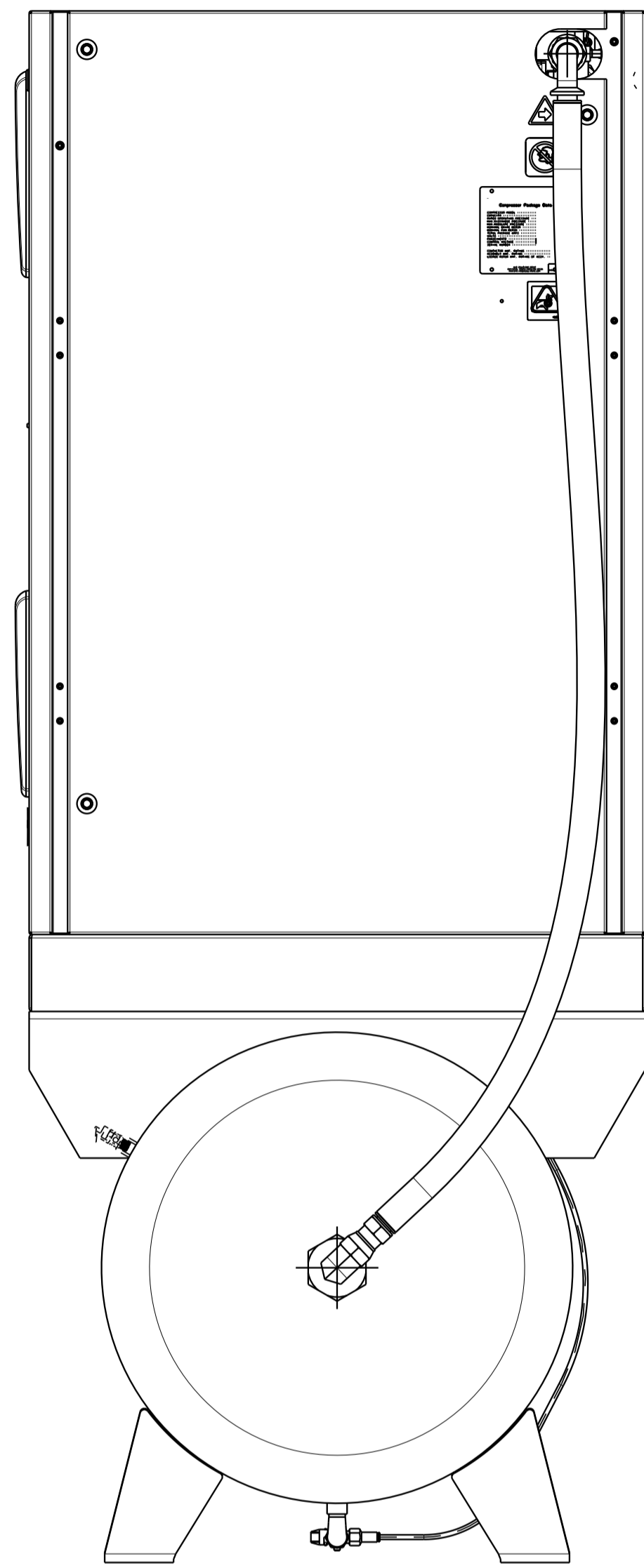
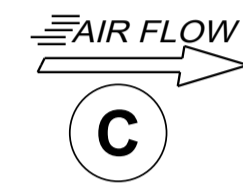


<small>PROPRIETARY NOTICE</small> THIS DRAWING CONTAINS CONFIDENTIAL AND TRADE SECRET INFORMATION IS THE PROPERTY OF INGERSOLL RAND CO. AND IS GIVEN TO THE RECEIVER IN CONFIDENCE. THE RECEIVER BY RECEIPT AND RETENTION OF THIS DRAWING ACCEPTS THE DRAWING IN CONFIDENCE AND AGREES THAT, EXCEPT AS AUTHORIZED IN WRITING BY INGERSOLL RAND CO. IT WILL (1) NOT USE THE DRAWING OR ANY COPY THEREOF OR THE CONFIDENTIAL OR TRADE SECRET INFORMATION THEREIN, (2) NOT COPY THE DRAWING, (3) NOT DISCLOSE TO OTHERS EITHER THE DRAWING OR THE CONFIDENTIAL OR TRADE SECRET INFORMATION THEREIN, AND (4) UPON COMPLETION OF THE NEED TO RETAIN THE DRAWING OR UPON DEMAND, RETURN THE DRAWING, ALL COPIES THEREOF, AND ALL MATERIAL COPIED THEREFROM.		NAME GENERAL ARRANGEMENT, RS11-22i, RS15-22n, RECEIVER MOUNTED	
SIZE A1	DWG NO. 47637549001	REVISION D	
SCALE 0.12	NOMENCLATURE	SHEET 4 OF 10	

OPTION: VSD NON-TAS WITH RECEIVER

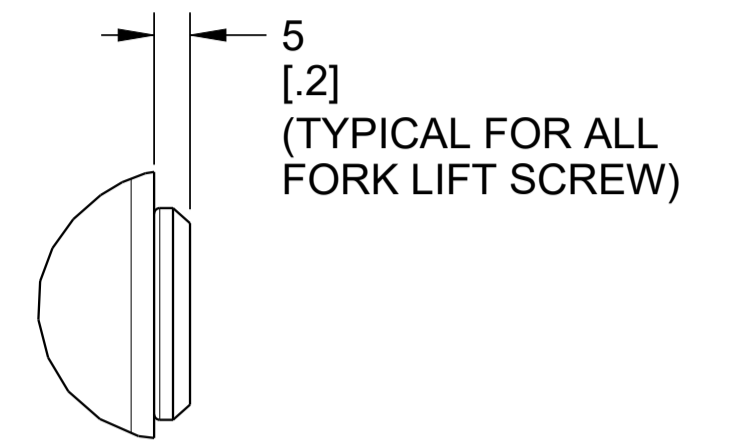


BACK VIEW

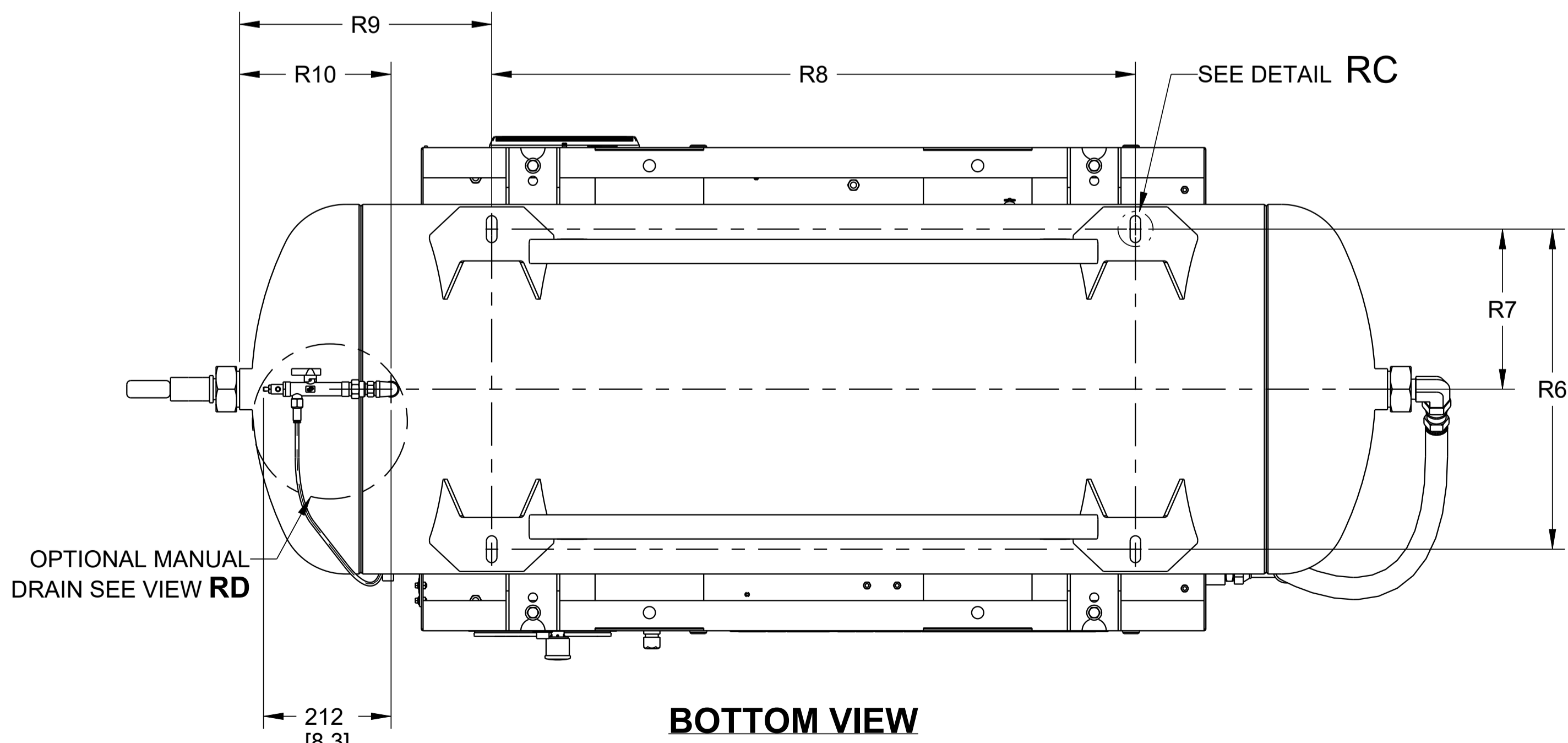


LEFT VIEW

SEE DETAIL RA

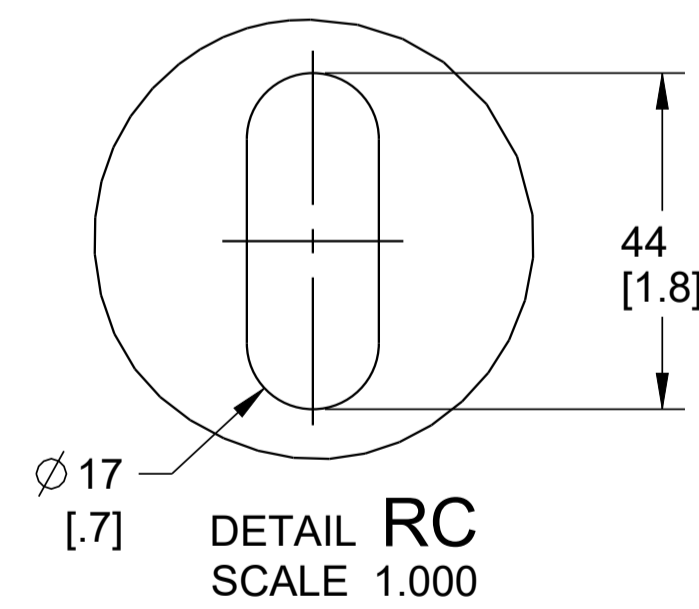


DETAIL RA
 SCALE 1.000

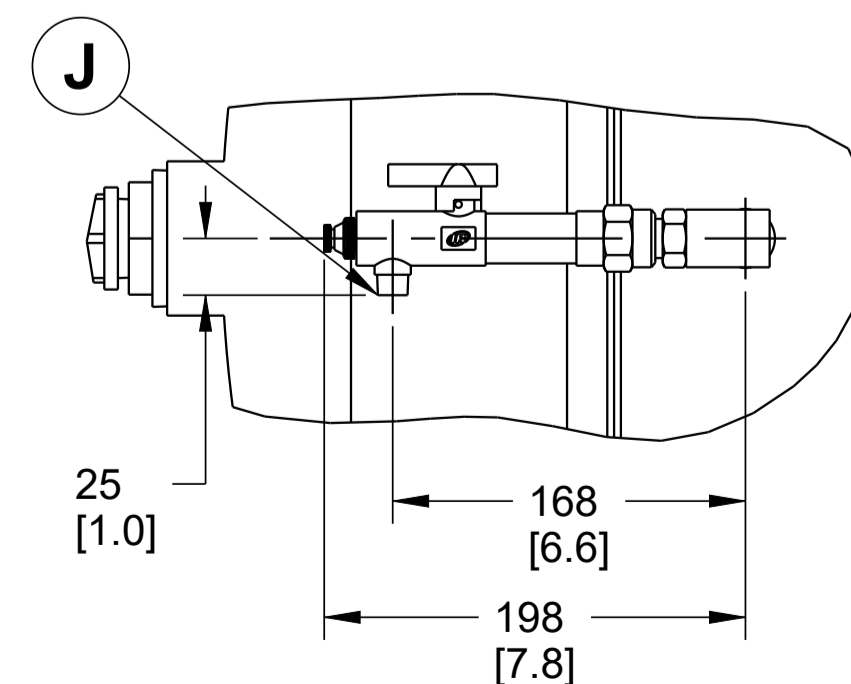


BOTTOM VIEW

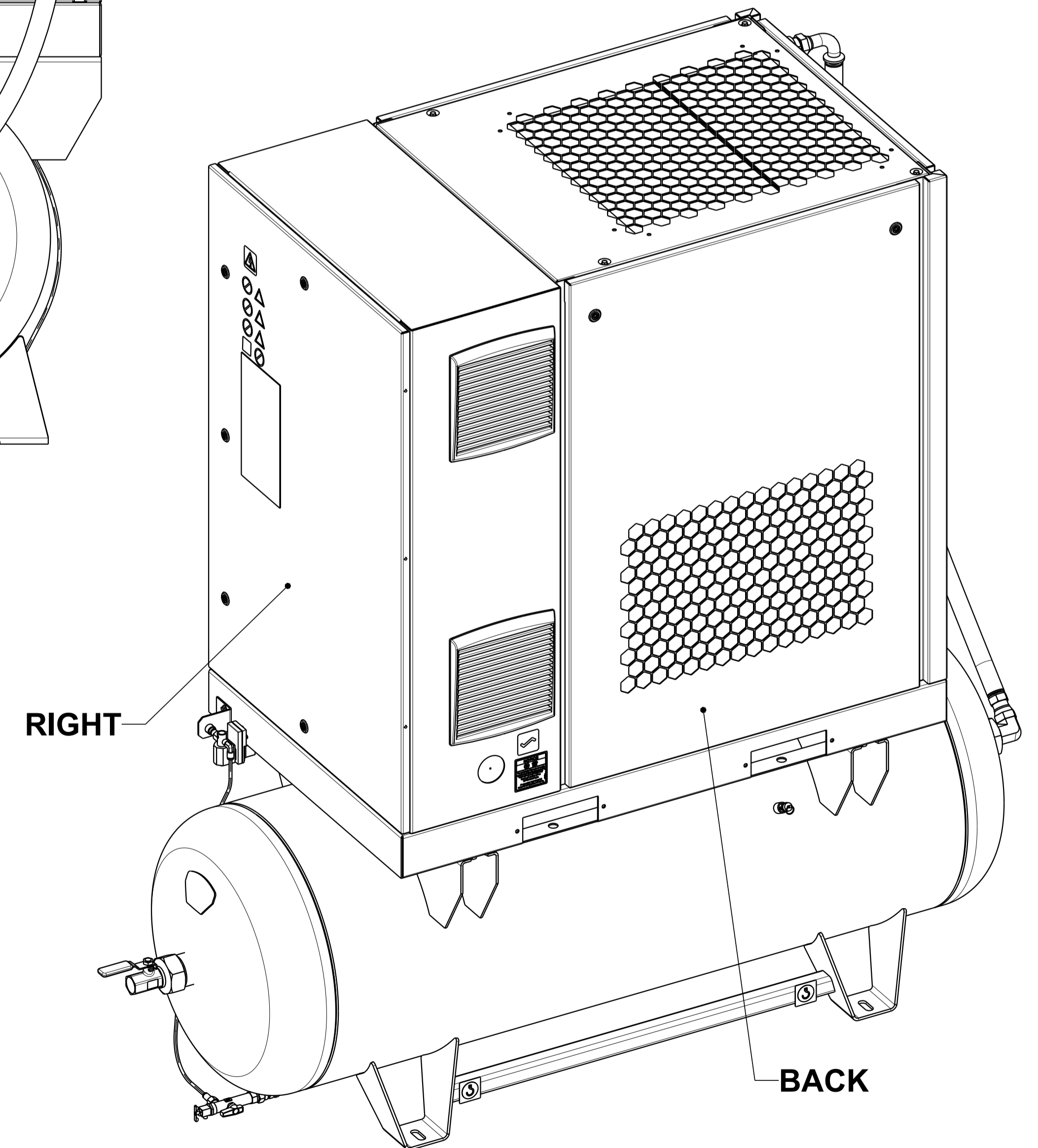
SEE DETAIL RC



DETAIL RC
 SCALE 1.000

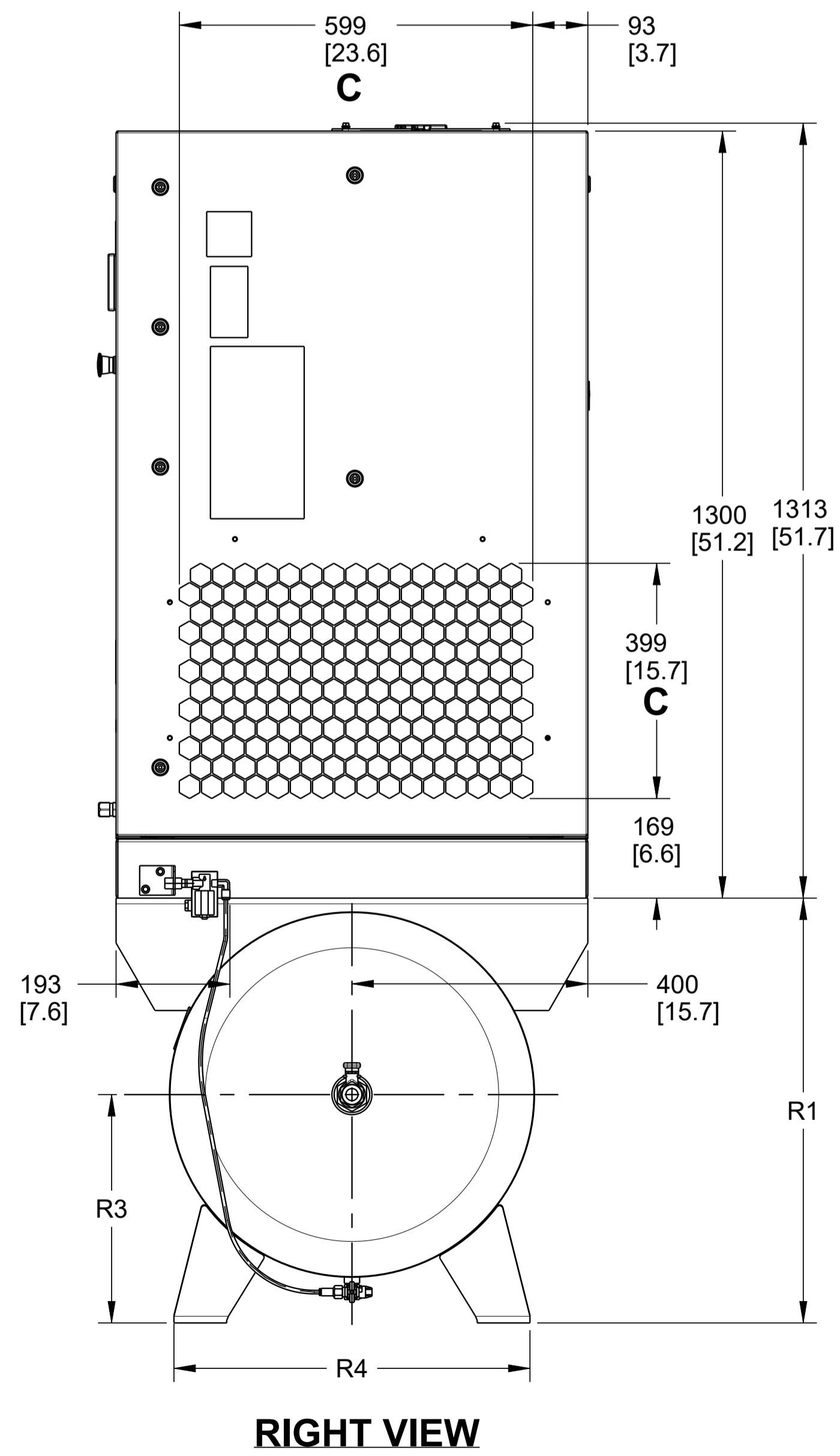
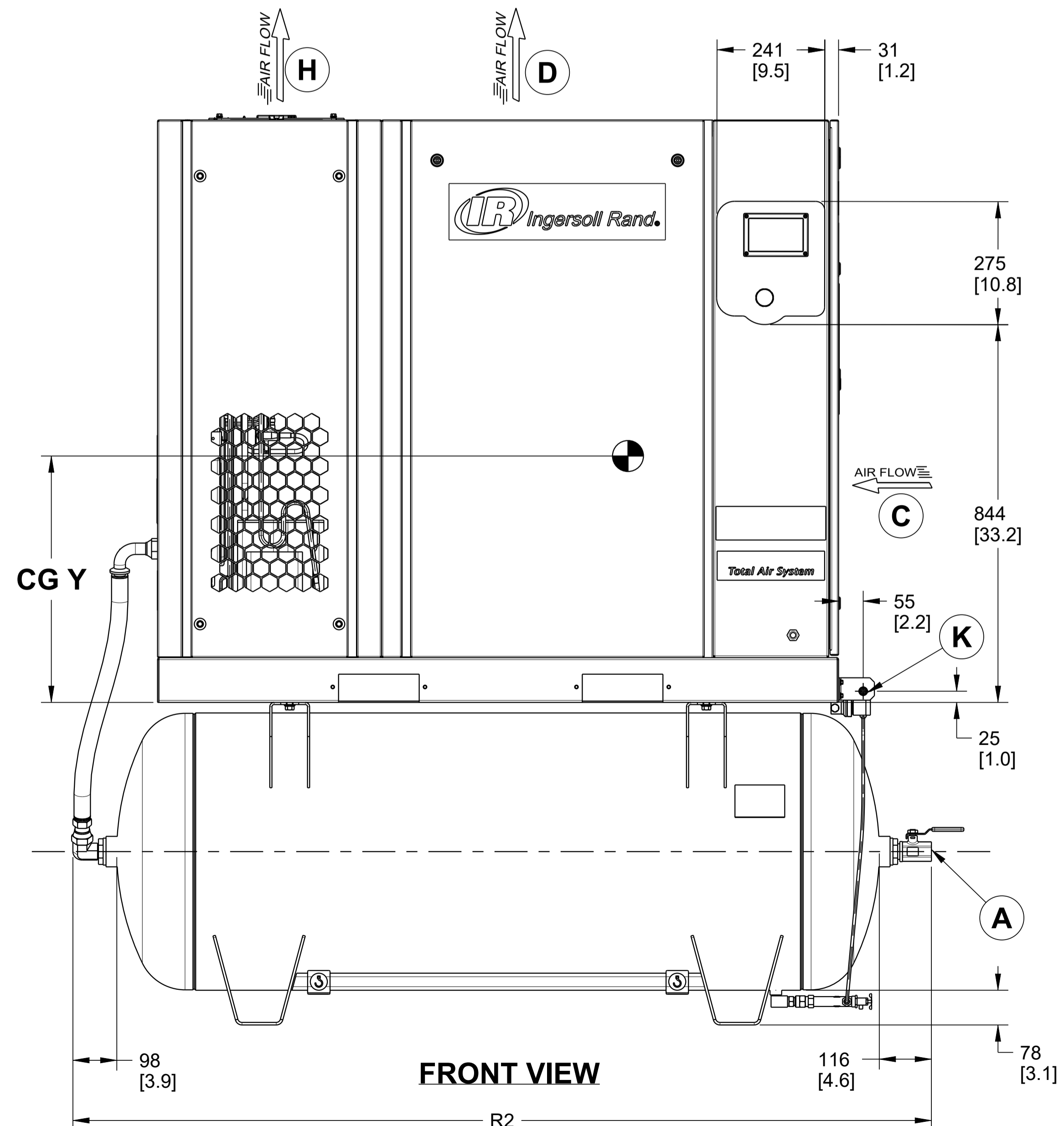
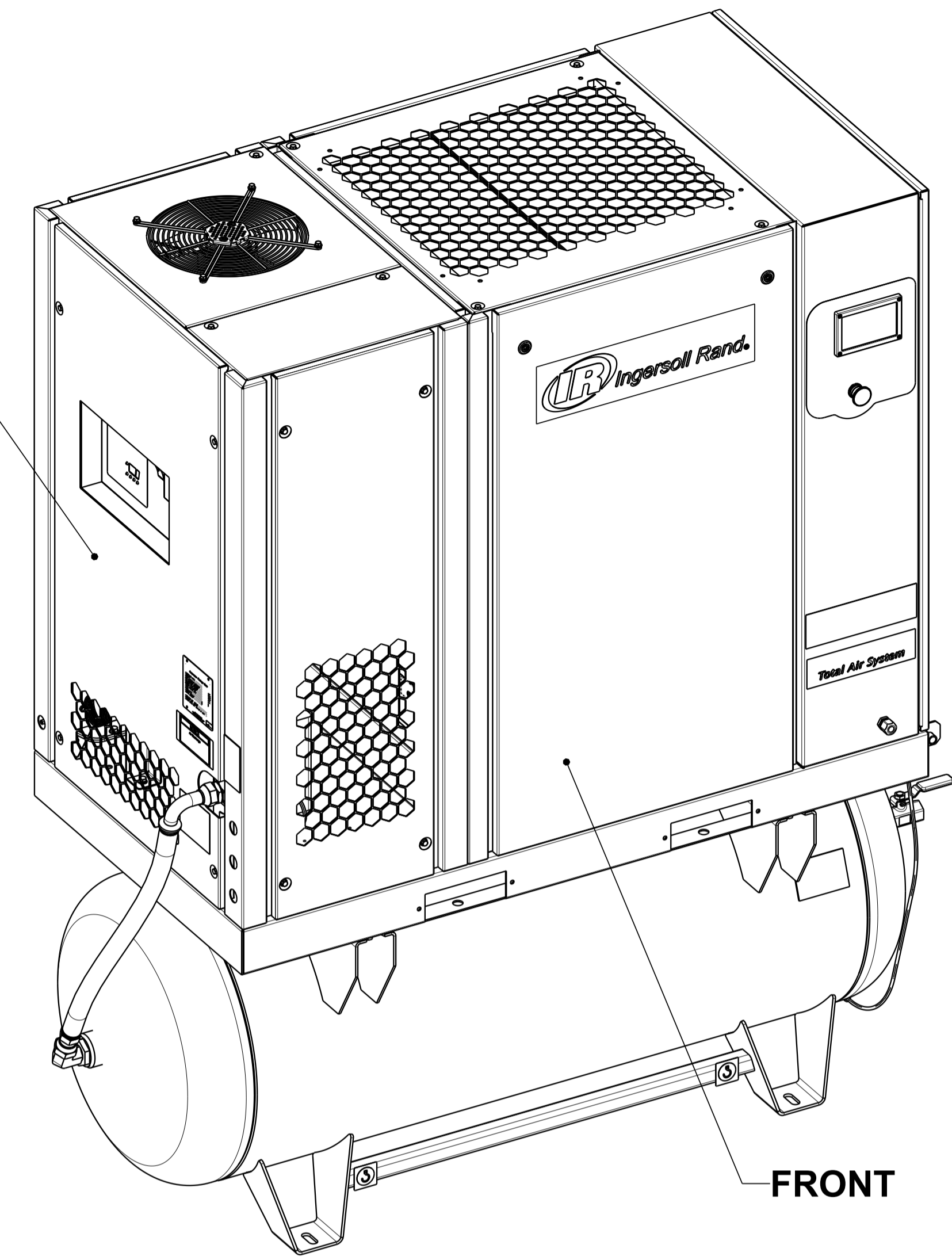
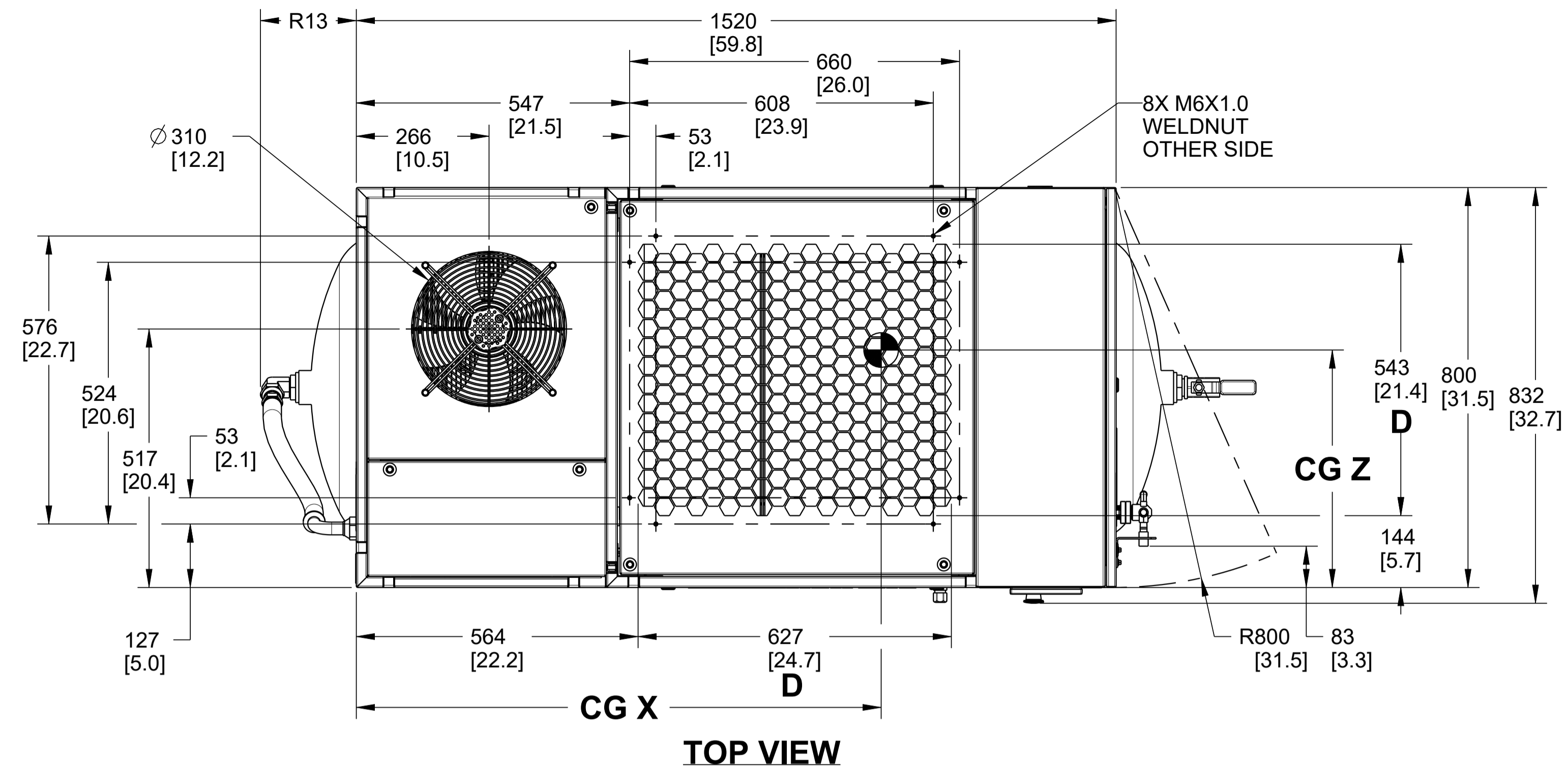


VIEW RD
 APPLICABLE FOR MANUAL DRAIN



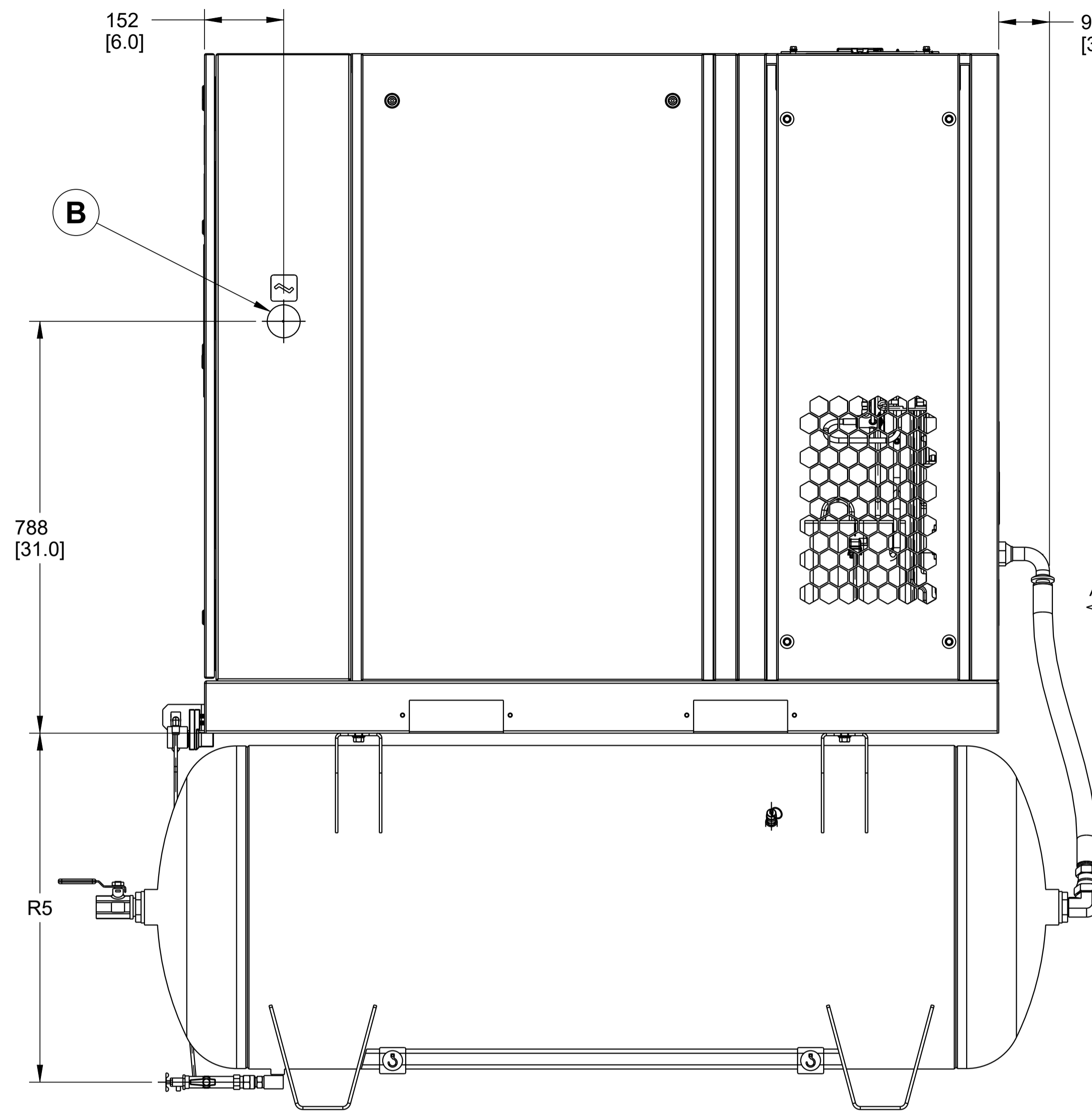
<small>PROPRIETARY NOTICE</small> THIS DRAWING CONTAINS CONFIDENTIAL AND TRADE SECRET INFORMATION. IS THE PROPERTY OF INGERSOLL-RAND CO. AND IS GIVEN TO THE RECEIVER IN CONFIDENCE. THE RECEIVER BY RECEIPTING AND RETENTION OF THIS DRAWING ACCEPTS THE DRAWING IN CONFIDENCE AND AGREES THAT, EXCEPT AS AUTHORIZED IN WRITING BY INGERSOLL-RAND CO., IT WILL (1) NOT USE THE DRAWING OR ANY COPY THEREOF OR THE CONFIDENTIAL OR TRADE SECRET INFORMATION THEREIN; (2) NOT COPY THE DRAWING; (3) NOT DISCLOSE TO OTHERS EITHER THE DRAWING OR THE CONFIDENTIAL OR TRADE SECRET INFORMATION THEREIN; AND (4) UPON COMPLETION OF THE NEED TO RETAIN THE DRAWING OR UPON DEMAND, RETURN THE DRAWING, ALL COPIES THEREOF, AND ALL MATERIAL COPIED THEREFROM.		NAME GENERAL ARRANGEMENT, RS11-22i, RS15-22i, RECEIVER MOUNTED	
SIZE A1	DWG NO. 47637549001	REVISION D	
SCALE 0.13	NOMENCLATURE	SHEET 5 OF 10	

OPTION: FS TAS WITH RECEIVER

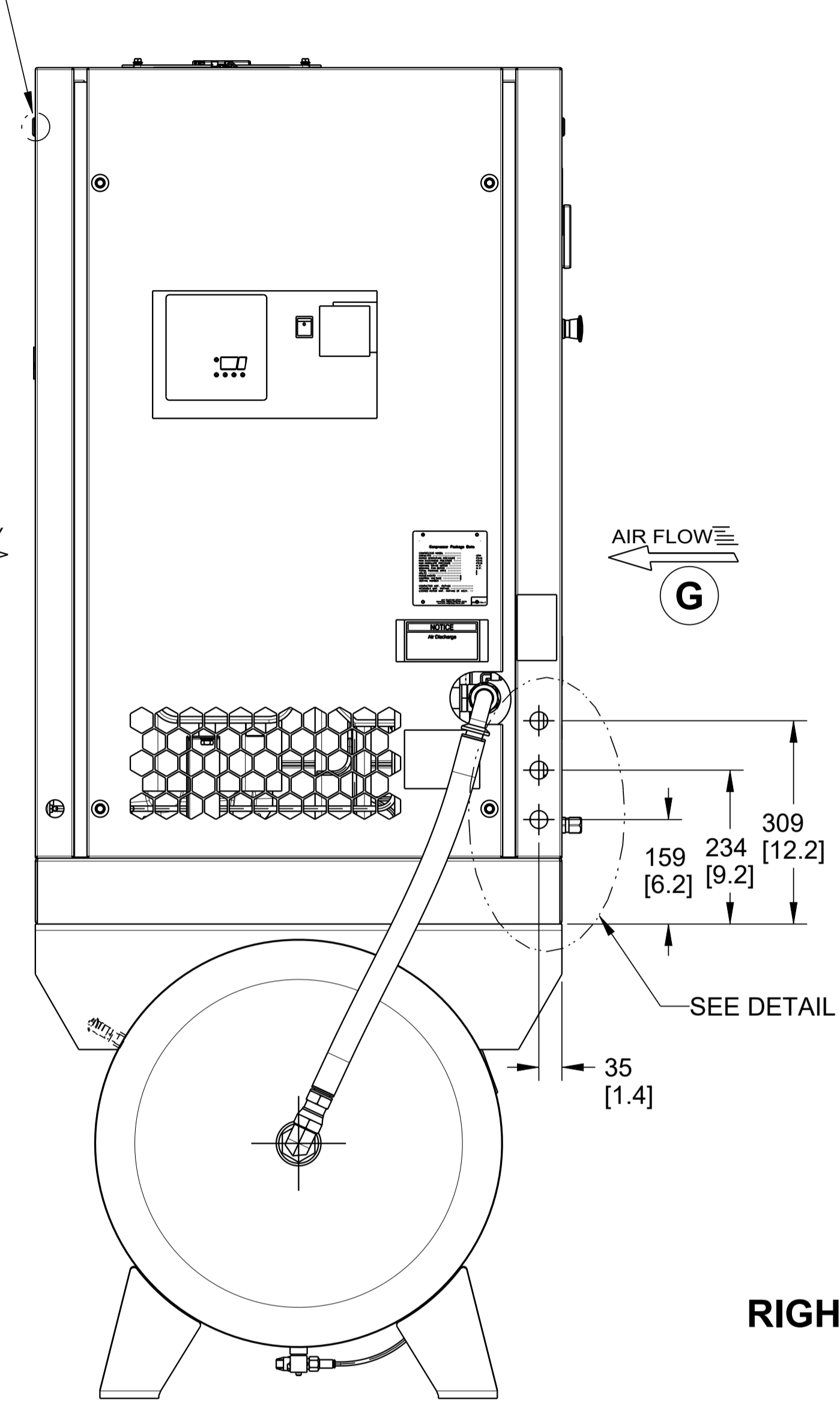


<small>PROPRIETARY NOTICE</small> THIS DRAWING CONTAINS CONFIDENTIAL AND TRADE SECRET INFORMATION IS THE PROPERTY OF INGERSOLL RAND CO. AND IS GIVEN TO THE RECEIVER IN CONFIDENCE. THE RECEIVER BY RECEIPT AND RETENTION OF THIS DRAWING ACCEPTS THE DRAWING IN CONFIDENCE AND AGREES THAT, EXCEPT AS AUTHORIZED IN WRITING BY INGERSOLL RAND CO. IT WILL (1) NOT USE THE DRAWING OR ANY COPY THEREOF OR THE CONFIDENTIAL OR TRADE SECRET INFORMATION THEREIN, (2) NOT COPY THE DRAWING, (3) NOT DISCLOSE TO OTHERS EITHER THE DRAWING OR THE CONFIDENTIAL OR TRADE SECRET INFORMATION THEREIN, AND (4) UPON COMPLETION OF THE NEED TO RETAIN THE DRAWING OR UPON DEMAND, RETURN THE DRAWING, ALL COPIES THEREOF, AND ALL MATERIAL COPIED THEREFROM.		<small>NAME</small> GENERAL ARRANGEMENT, RS11-22i, RS15-22n, RECEIVER MOUNTED	
<small>SIZE</small> A1	<small>DWG NO.</small> 47637549001	<small>REVISION</small> D	
<small>SCALE</small> 0.12	<small>NOMENCLATURE</small>	<small>SHEET</small> 6 OF 10	

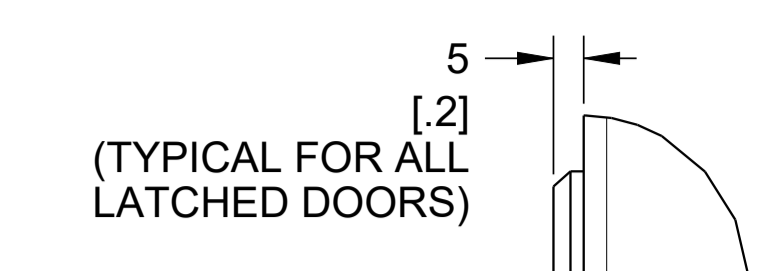
OPTION: FS TAS WITH RECEIVER



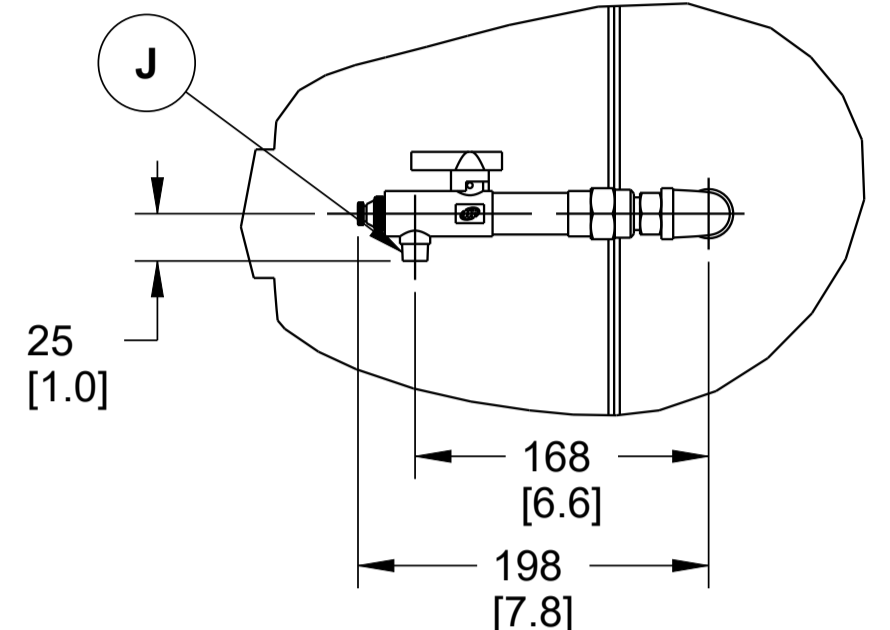
BACK VIEW



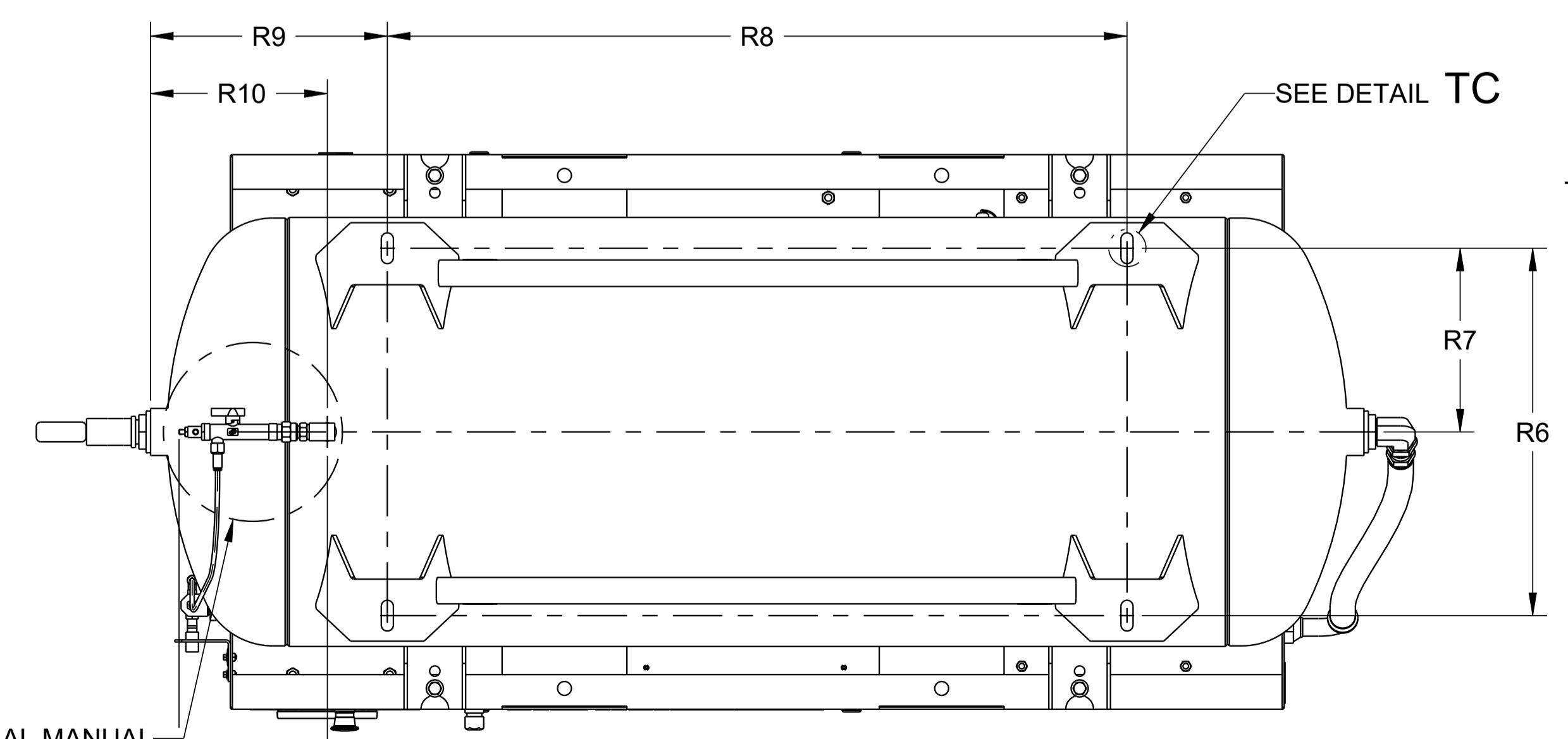
LEFT VIEW



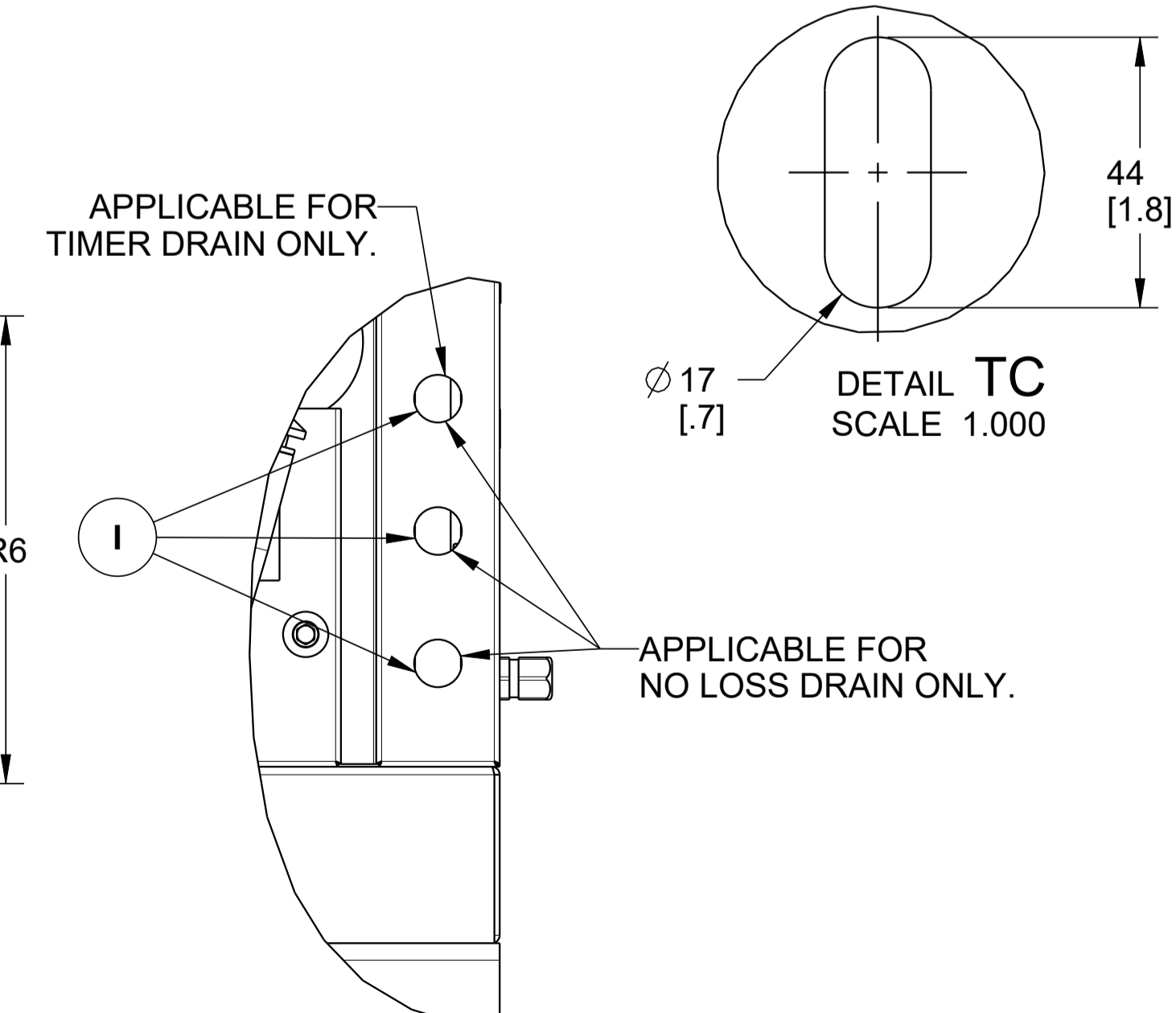
DETAIL TA
SCALE 1.000



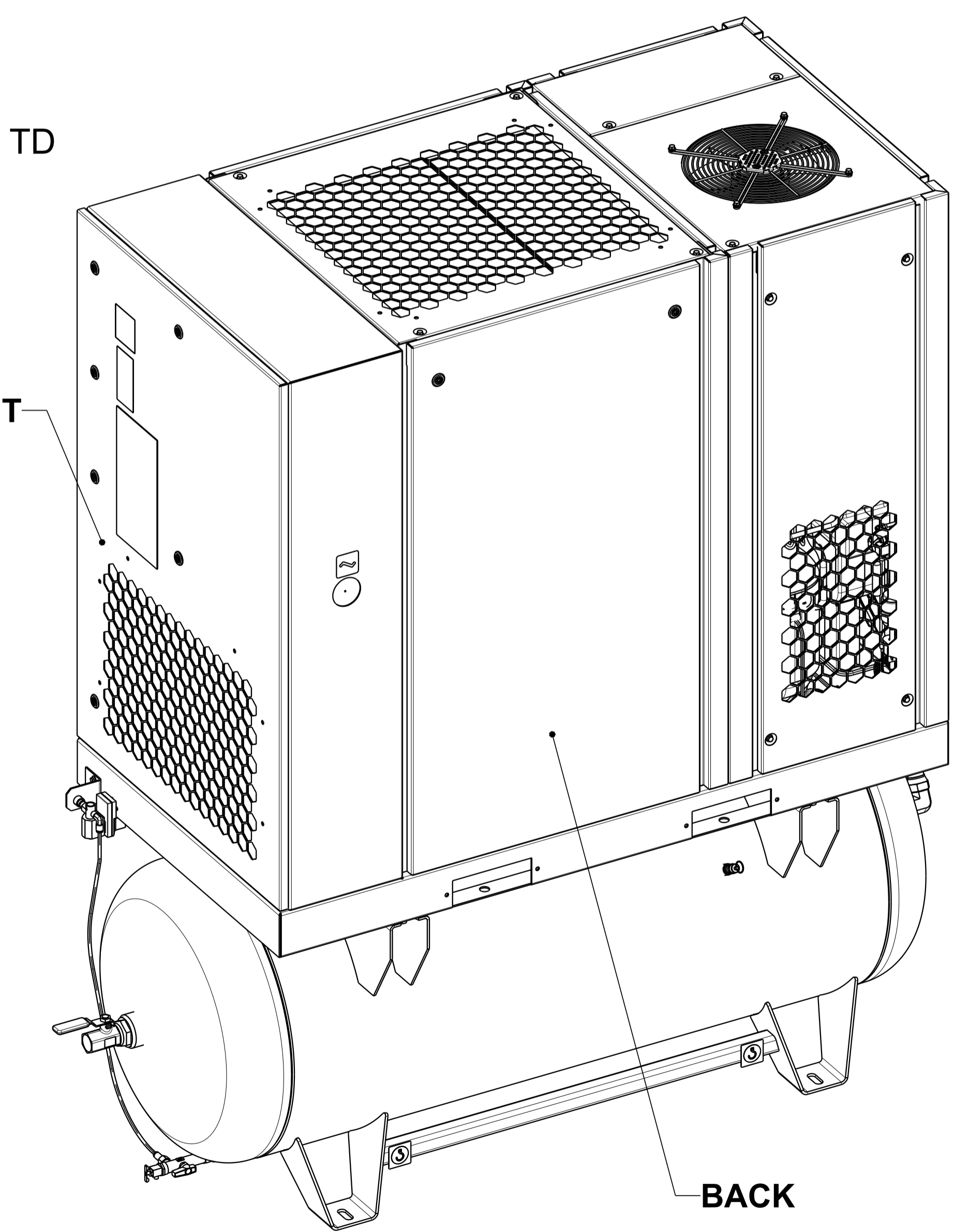
VIEW TE
APPLICABLE FOR MANUAL DRAIN



BOTTOM VIEW

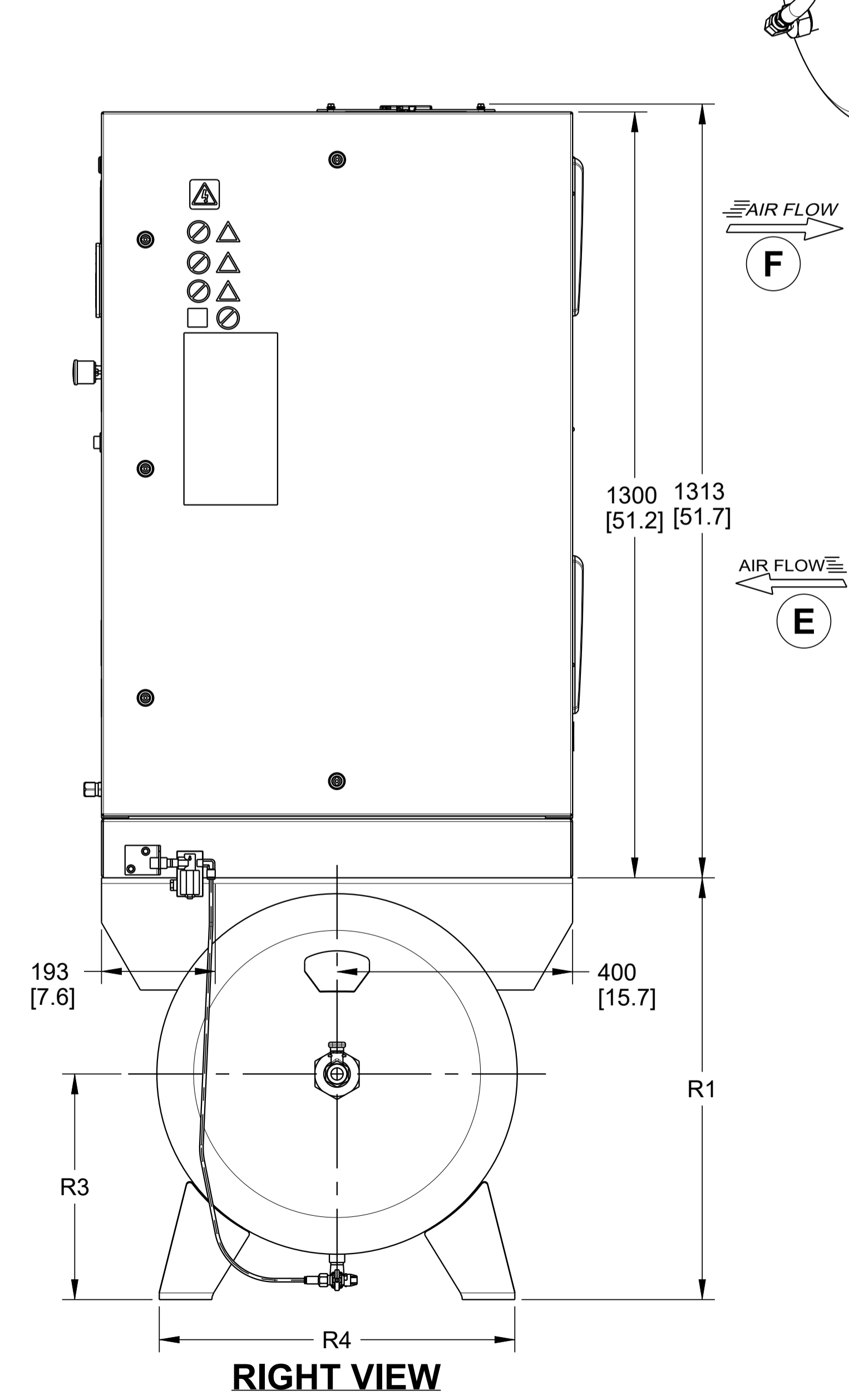
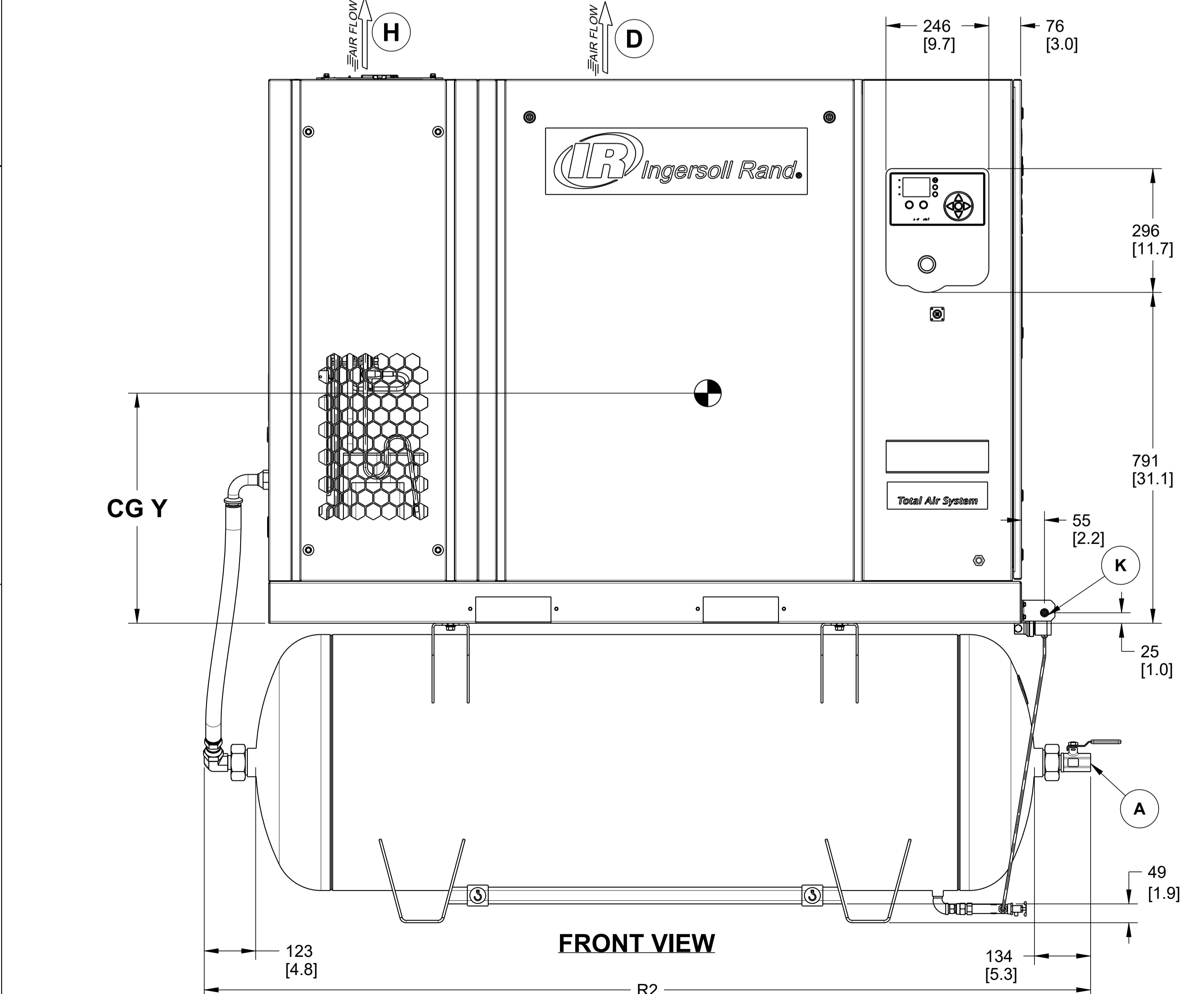
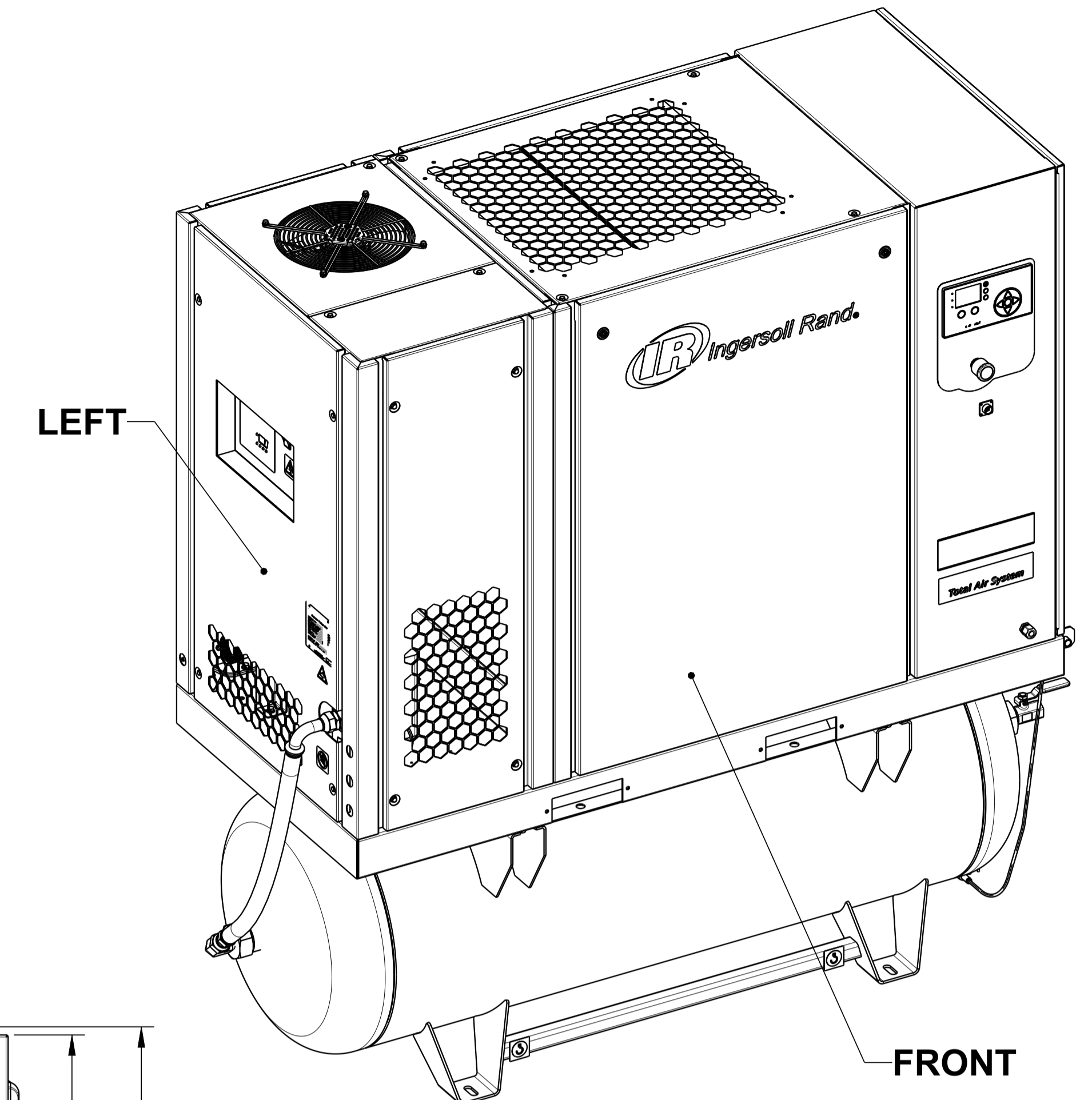
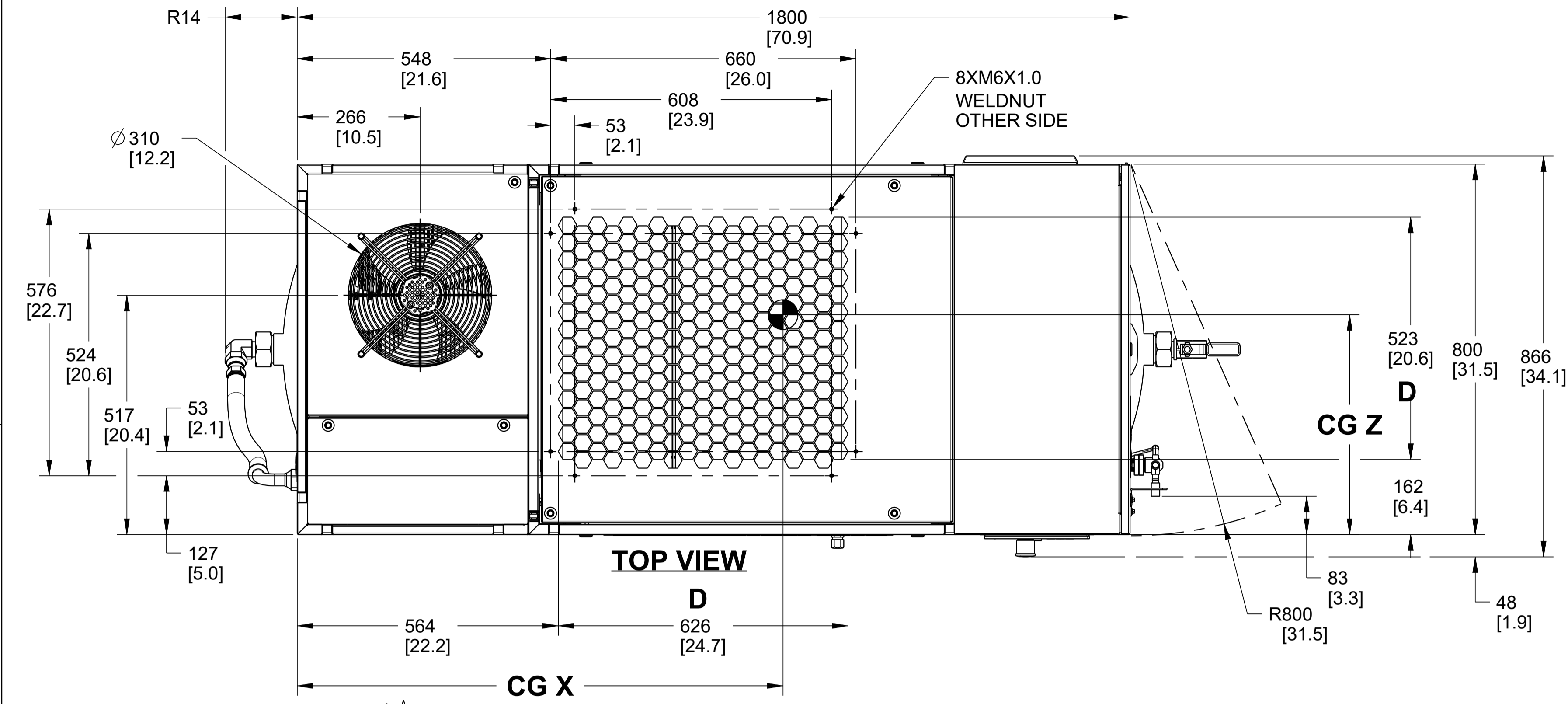


DETAIL TD
SCALE 0.290



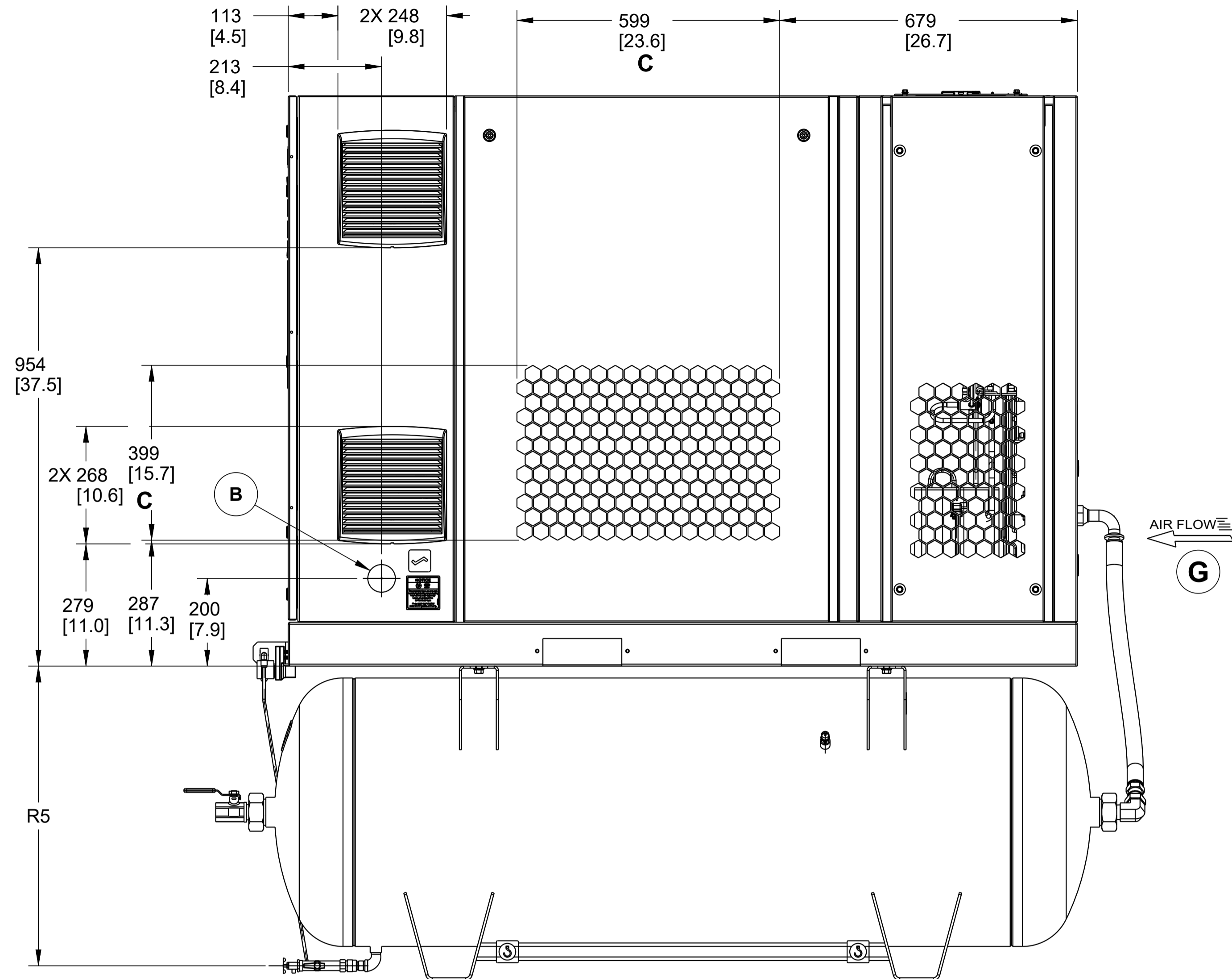
<small>PROPRIETARY NOTICE</small> THIS DRAWING CONTAINS CONFIDENTIAL AND TRADE SECRET INFORMATION. IS THE PROPERTY OF INGERSOLL-RAND CO. AND IS GIVEN TO THE RECEIVER IN CONFIDENCE. THE RECEIVER BY RECEIPT AND RETENTION OF THIS DRAWING ACCEPTS THE DRAWING IN CONFIDENCE AND AGREES THAT, EXCEPT AS AUTHORIZED IN WRITING BY INGERSOLL-RAND CO., IT WILL (1) NOT USE THE DRAWING OR ANY COPY THEREOF OR THE CONFIDENTIAL OR TRADE SECRET INFORMATION THEREIN, (2) NOT COPY THE DRAWING, (3) NOT DISCLOSE TO OTHERS EITHER THE DRAWING OR THE CONFIDENTIAL OR TRADE SECRET INFORMATION THEREIN, AND (4) UPON COMPLETION OF THE NEED TO RETAIN THE DRAWING OR UPON DEMAND, RETURN THE DRAWING, ALL COPIES THEREOF, AND ALL MATERIAL COPIED THEREFROM.		NAME GENERAL ARRANGEMENT, RS11-22i, RS15-22i, RECEIVER MOUNTED	
SIZE A1	DWG NO. 47637549001	REVISION D	
SCALE 0.13	NOMENCLATURE	SHEET 7 OF 10	

OPTION: VSD TAS WITH RECEIVER

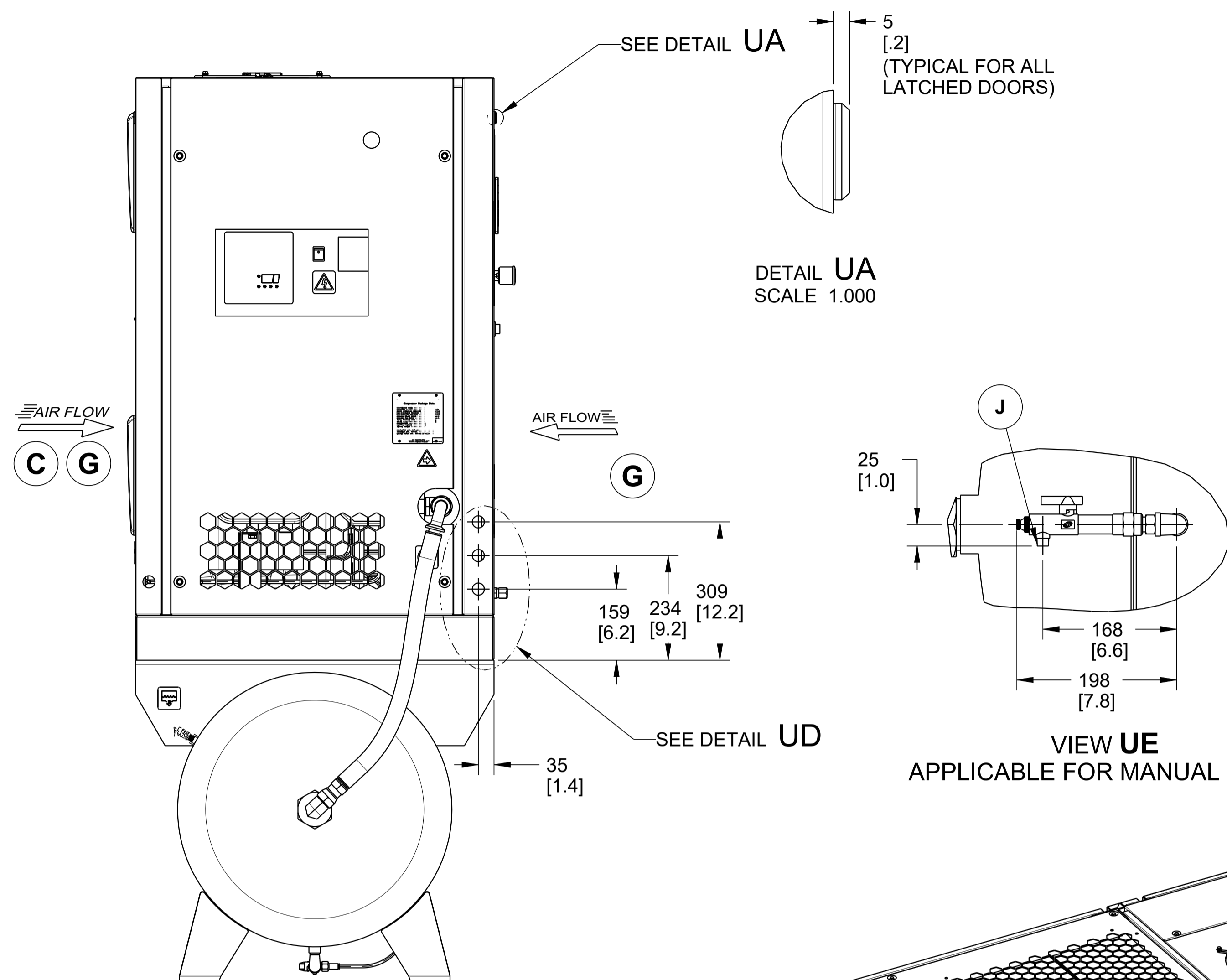


<small>PROPRIETARY NOTICE</small> THIS DRAWING CONTAINS CONFIDENTIAL AND TRADE SECRET INFORMATION IS THE PROPERTY OF INGERSOLL-RAND CO. AND IS GIVEN TO THE RECEIVER IN CONFIDENCE. THE RECEIVER BY RECEIPT AND RETENTION OF THIS DRAWING ACCEPTS THE DRAWING IN CONFIDENCE AND AGREES THAT, EXCEPT AS AUTHORIZED IN WRITING BY INGERSOLL-RAND CO. IT WILL (1) NOT USE THE DRAWING OR ANY COPY THEREOF OR THE CONFIDENTIAL OR TRADE SECRET INFORMATION THEREIN, (2) NOT COPY THE DRAWING, (3) NOT DISCLOSE TO OTHERS EITHER THE DRAWING OR THE CONFIDENTIAL OR TRADE SECRET INFORMATION THEREIN, AND (4) UPON COMPLETION OF THE NEED TO RETAIN THE DRAWING, OR UPON DEMAND, RETURN THE DRAWING, ALL COPIES THEREOF, AND ALL MATERIAL COPIED THEREFROM.		<small>NAME</small> GENERAL ARRANGEMENT, RS11-22i, RS15-22i, RECEIVER MOUNTED	
<small>SIZE</small> A1	<small>DWG NO.</small> 47637549001	<small>REVISION</small> D	
<small>SCALE</small> 0.12	<small>NOMENCLATURE</small>	<small>SHEET</small> 8 OF 10	

OPTION: VSD TAS WITH RECEIVER

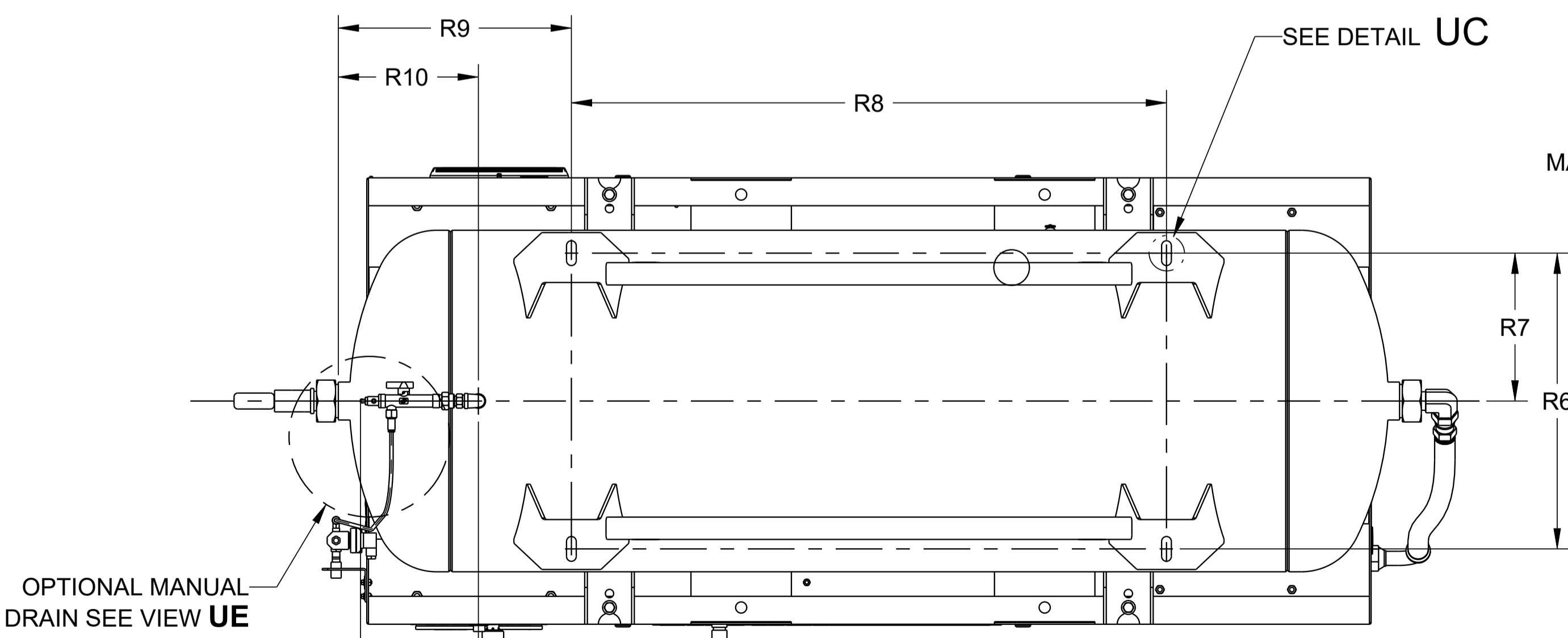


BACK VIEW

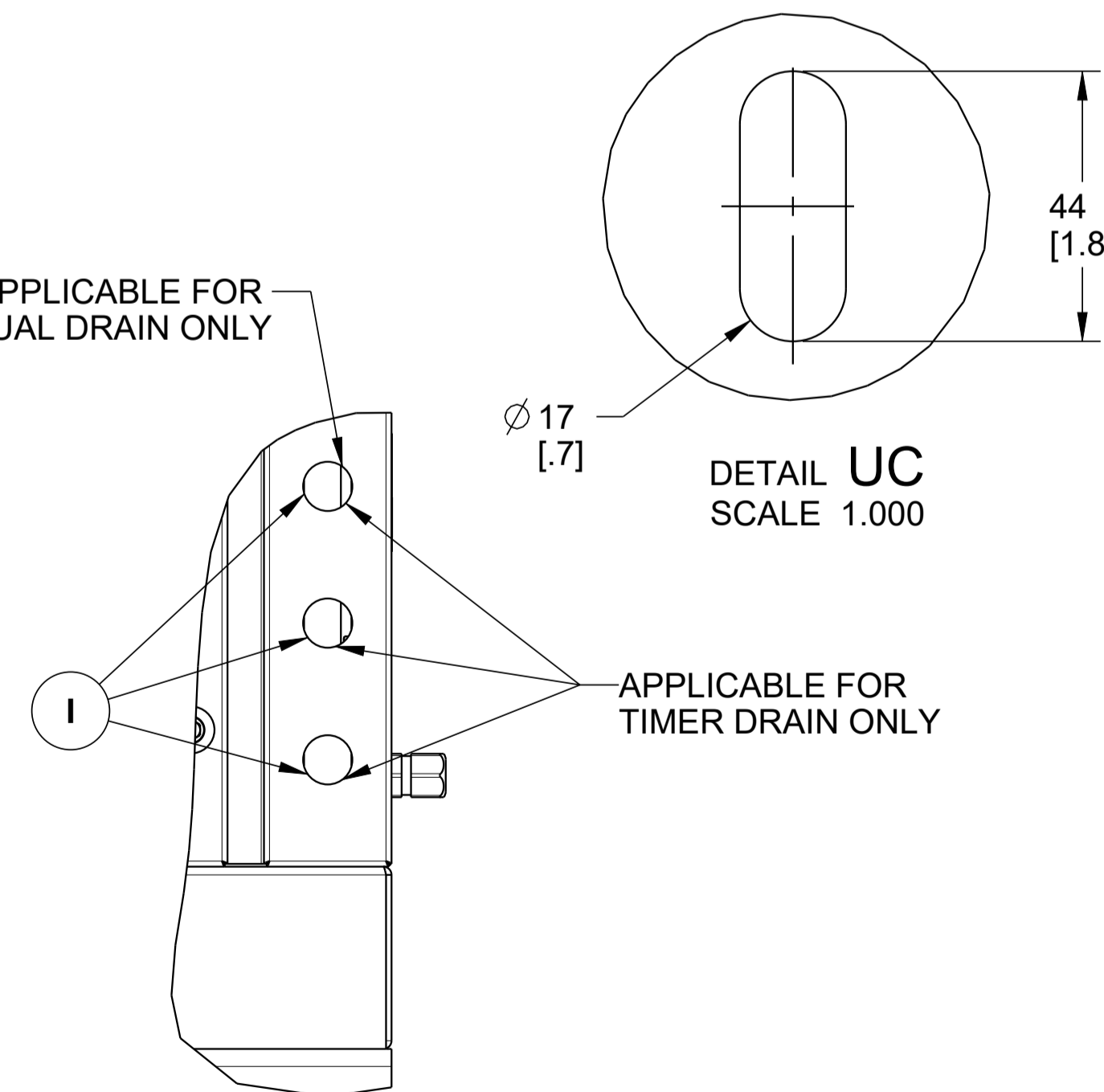


LEFT VIEW

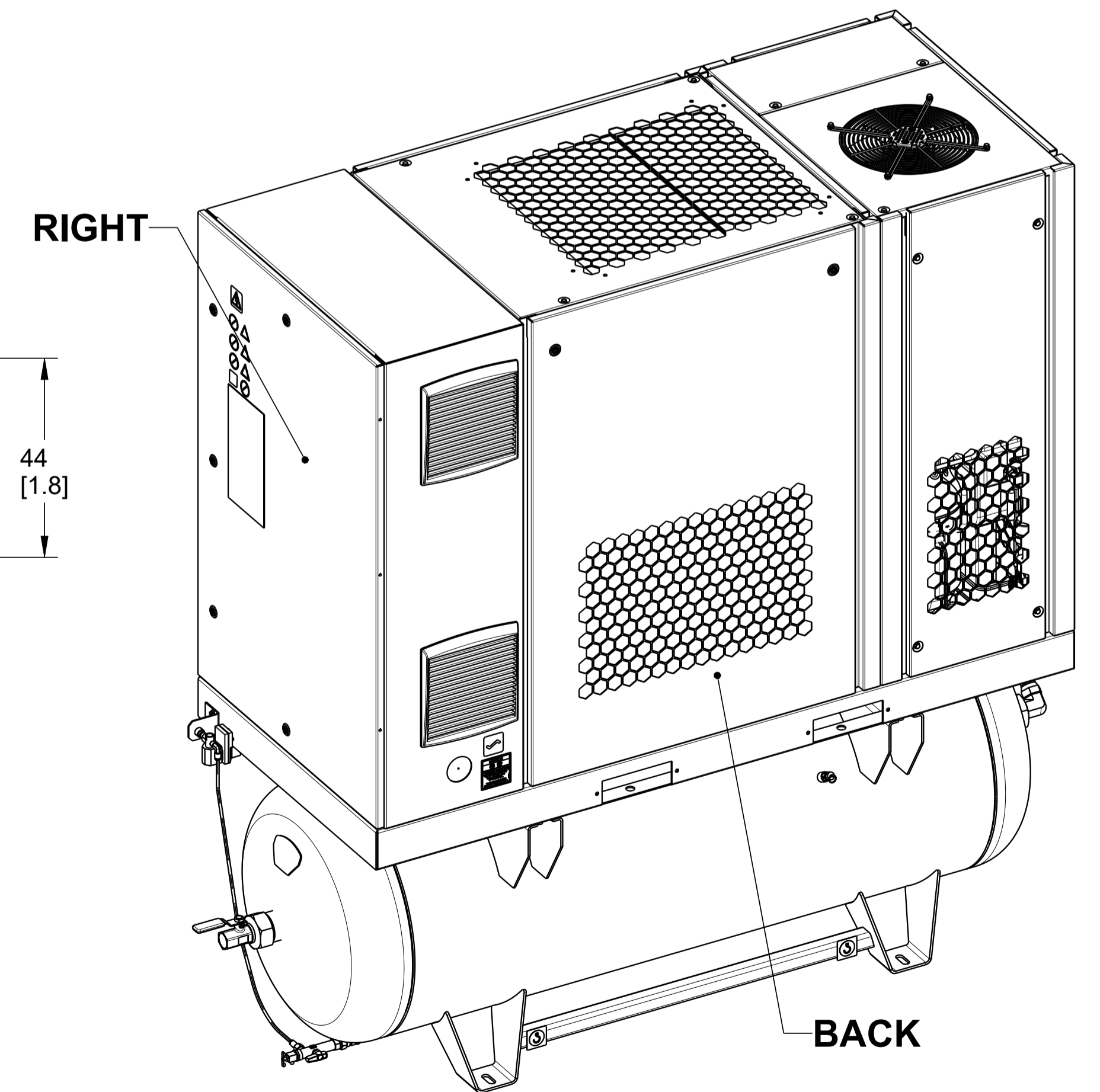
VIEW UE
APPLICABLE FOR MANUAL DRAIN



BOTTOM VIEW

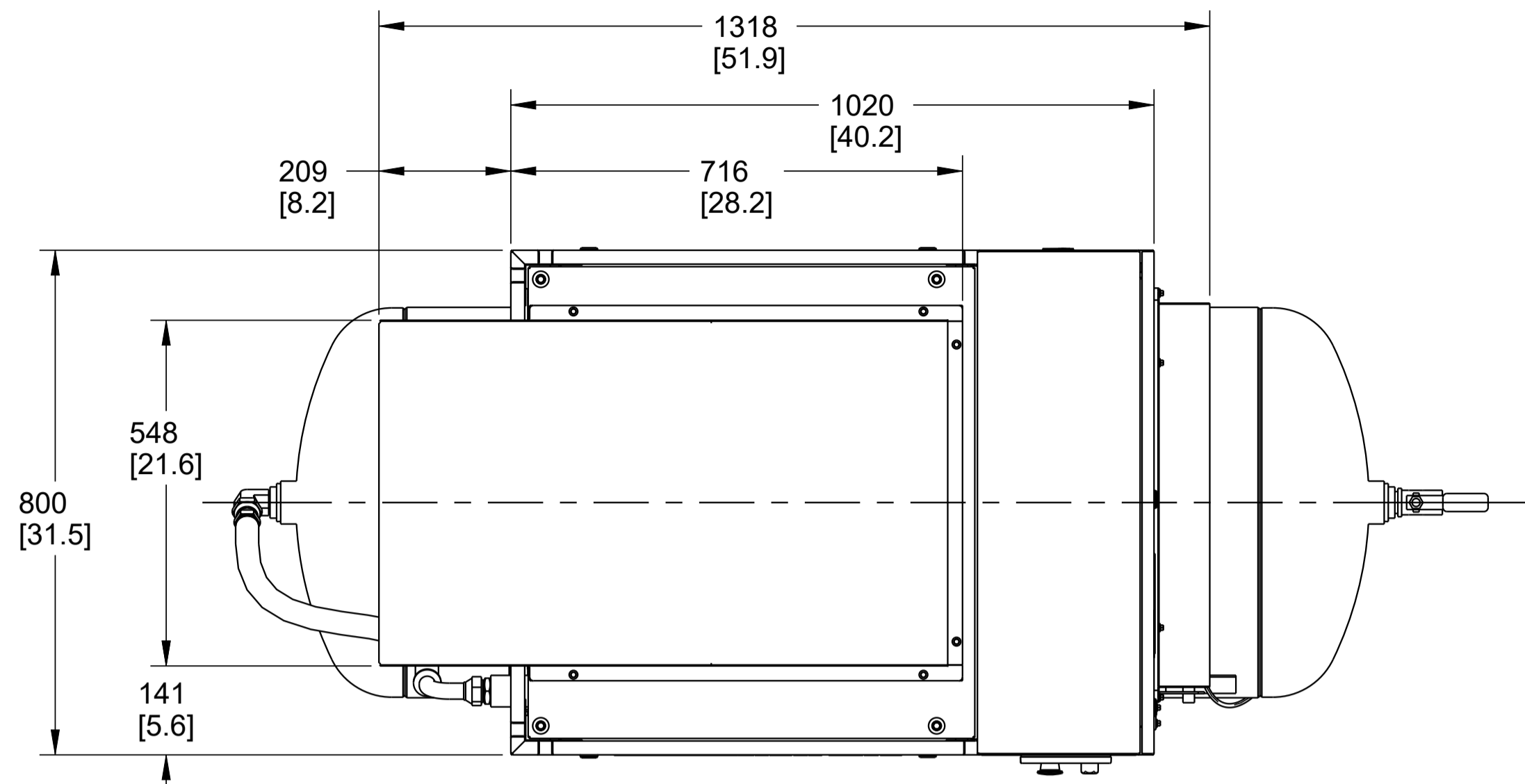


DETAIL UD
SCALE 0.300

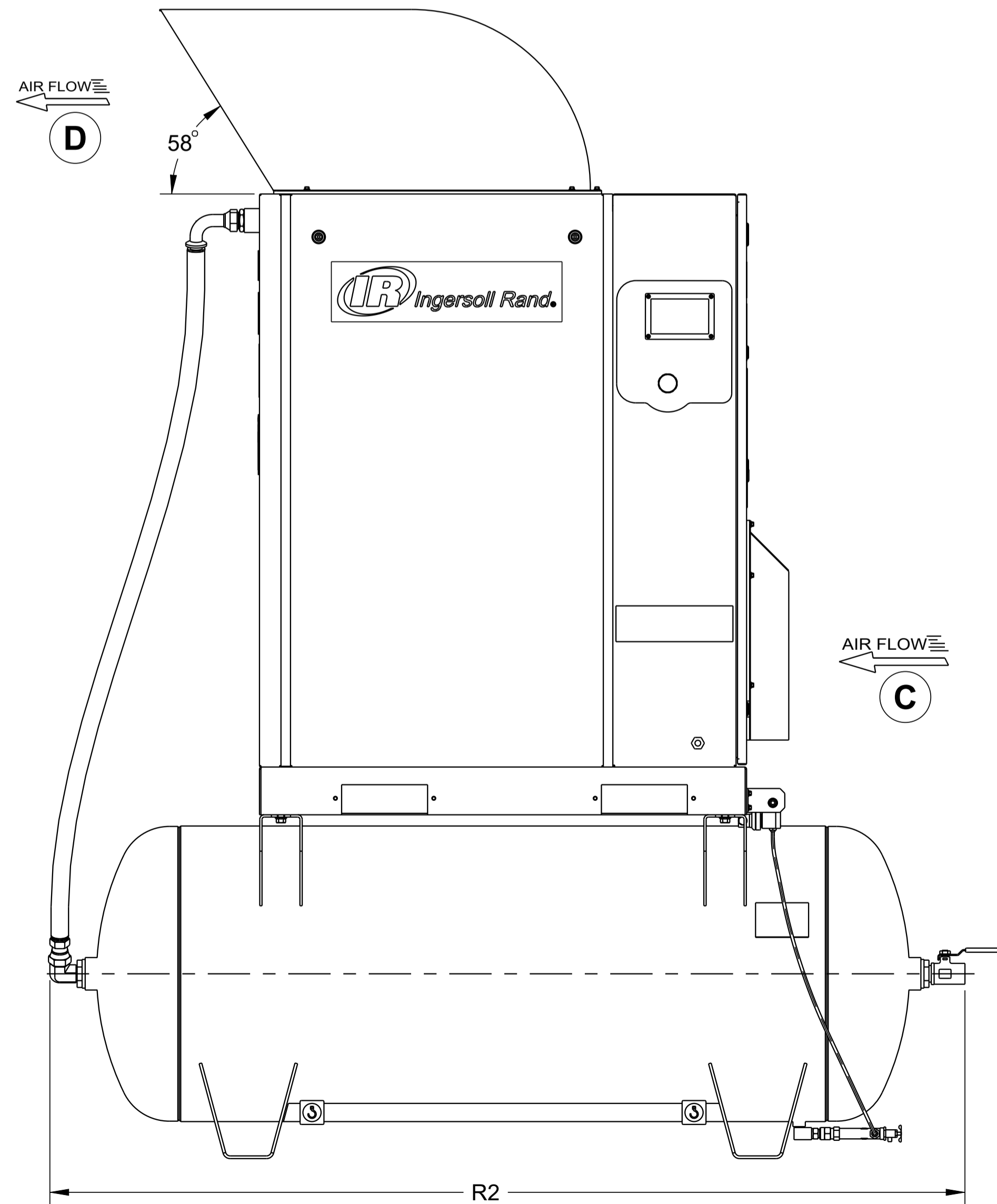
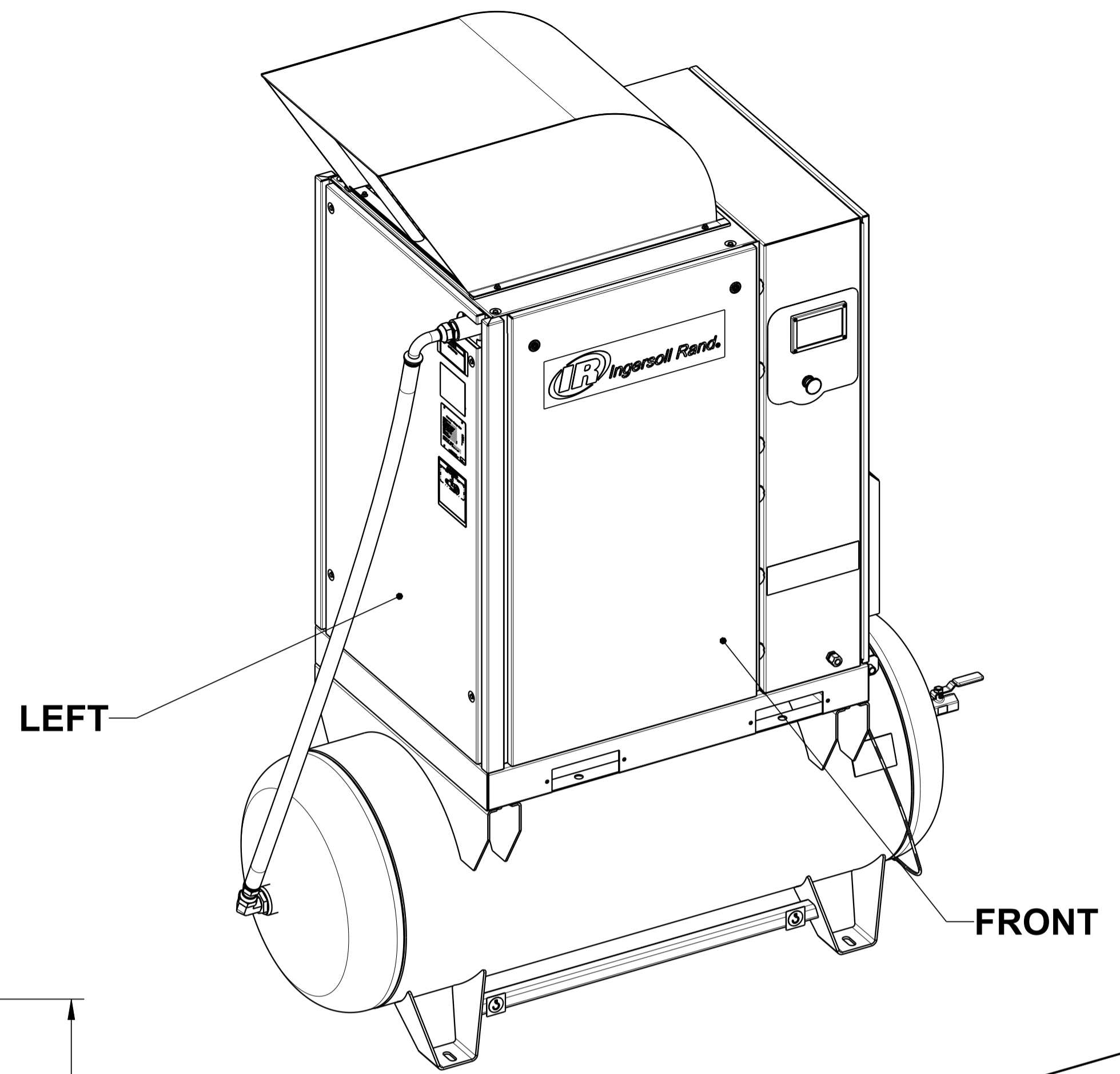


<small>PROPRIETARY NOTICE</small> THIS DRAWING CONTAINS CONFIDENTIAL AND TRADE SECRET INFORMATION IS THE PROPERTY OF INGERSOLL-RAND CO. AND IS GIVEN TO THE RECEIVER IN CONFIDENCE. THE RECEIVER BY RECEIPT AND RETENTION OF THIS DRAWING ACCEPTS THE DRAWING IN CONFIDENCE AND AGREES THAT, EXCEPT AS AUTHORIZED IN WRITING BY INGERSOLL-RAND CO. IT WILL (1) NOT USE THE DRAWING OR ANY COPY THEREOF OR THE CONFIDENTIAL OR TRADE SECRET INFORMATION THEREIN; (2) NOT COPY THE DRAWING; (3) NOT DISCLOSE TO OTHERS EITHER THE DRAWING OR THE CONFIDENTIAL OR TRADE SECRET INFORMATION THEREIN; AND (4) UPON COMPLETION OF THE NEED TO RETAIN THE DRAWING OR UPON DEMAND, RETURN THE DRAWING, ALL COPIES THEREOF, AND ALL MATERIAL COPIED THEREFROM.		NAME GENERAL ARRANGEMENT, RS11-22i, RS15-22i, RECEIVER MOUNTED	
SIZE A1	DWG NO. 47637549001	REVISION D	
SCALE 0.13	NOMENCLATURE	SHEET 9 OF 10	

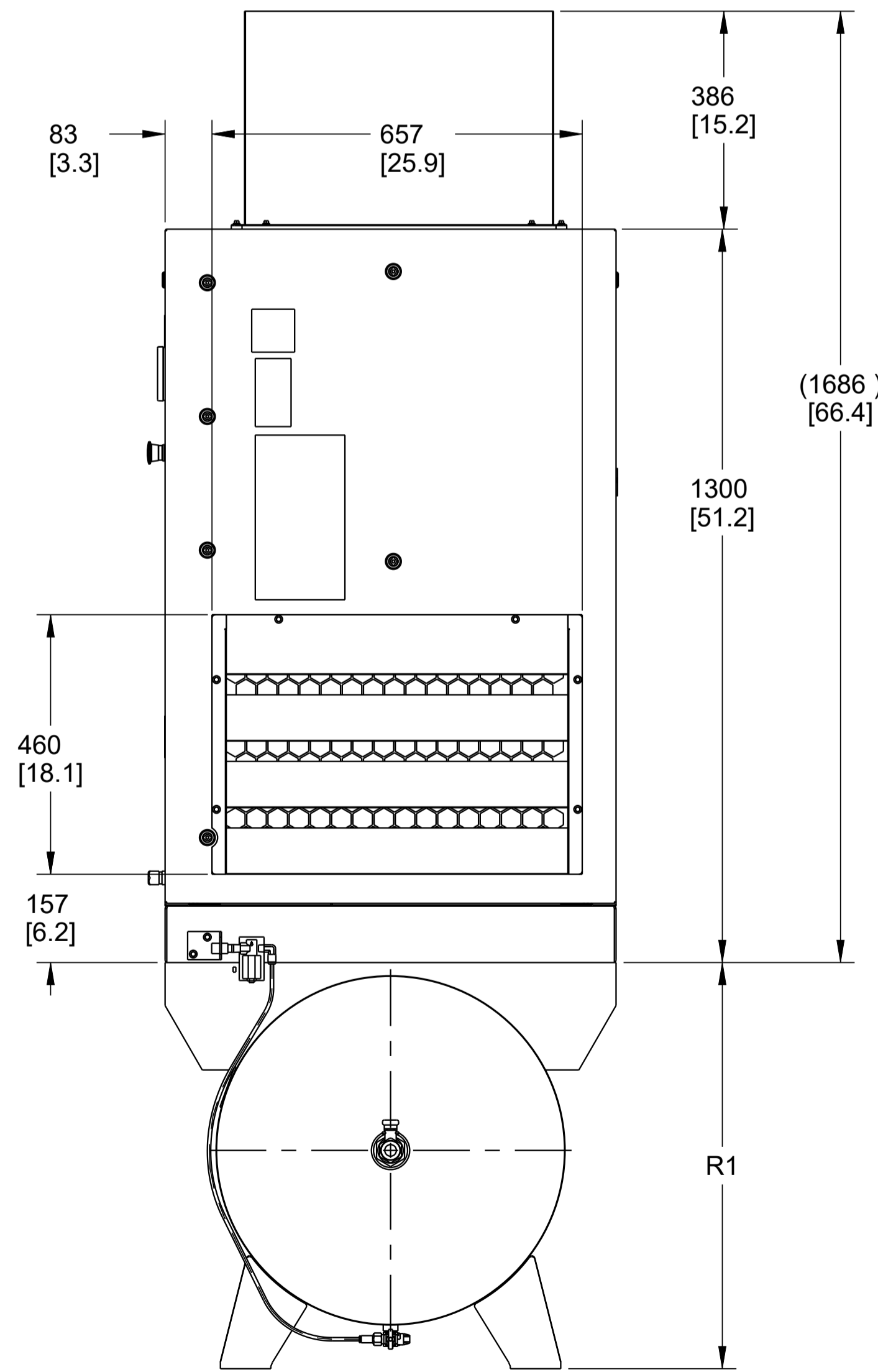
OPTION: OUTDOOR MODIFICATION (OPTION IS ONLY AVAILABLE FOR FS NON - TAS UNITS)



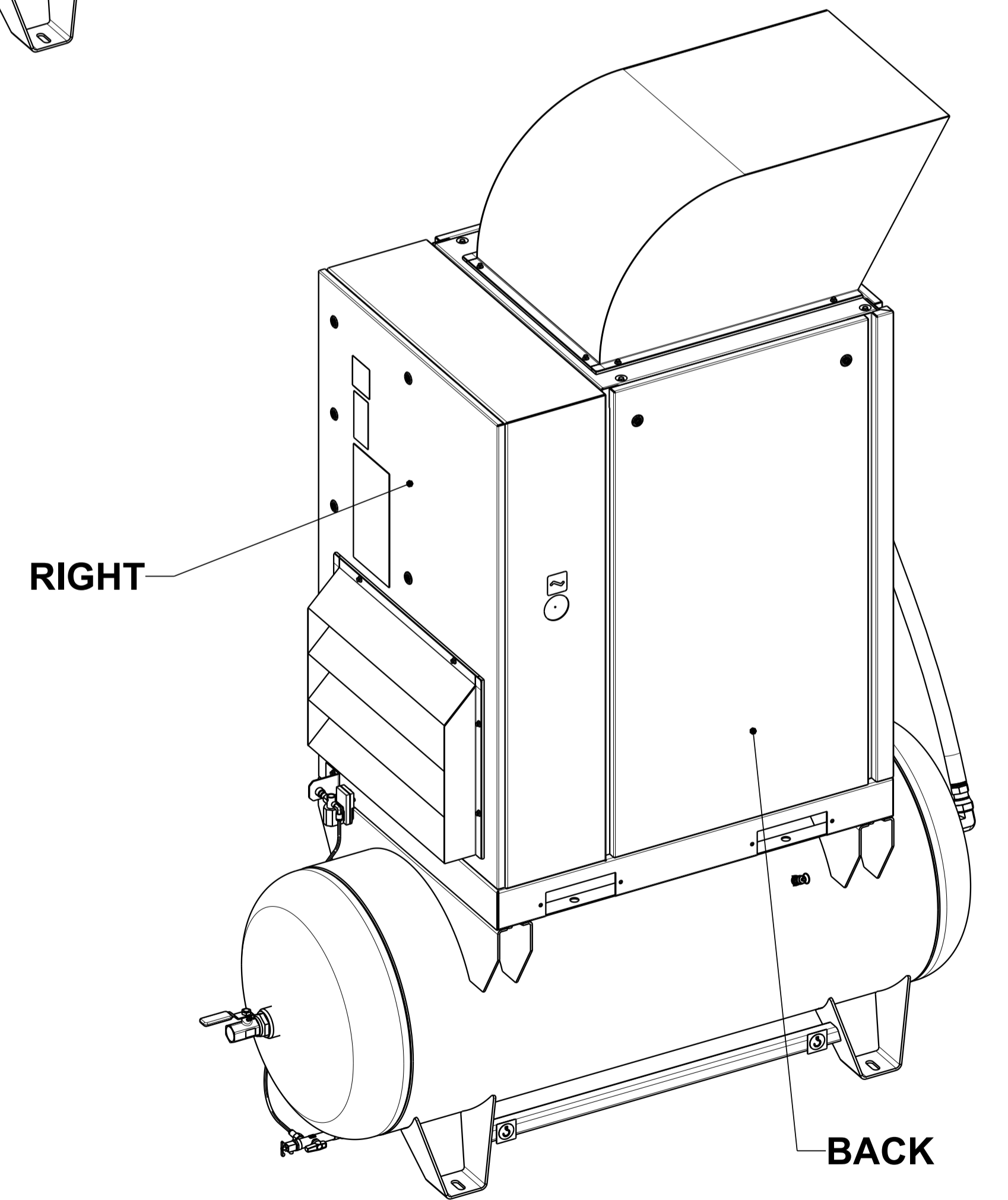
TOP VIEW



FRONT VIEW



RIGHT VIEW



<small>PROPRIETARY NOTICE</small> THIS DRAWING CONTAINS CONFIDENTIAL AND TRADE SECRET INFORMATION IS THE PROPERTY OF INGERSOLL-RAND CO. AND IS GIVEN TO THE RECEIVER IN CONFIDENCE. THE RECEIVER BY RECEIPT AND RETENTION OF THIS DRAWING ACCEPTS THE DRAWING IN CONFIDENCE AND AGREES THAT, EXCEPT AS AUTHORIZED IN WRITING BY INGERSOLL-RAND CO. IT WILL (1) NOT USE THE DRAWING OR ANY COPY THEREOF OR THE CONFIDENTIAL OR TRADE SECRET INFORMATION THEREIN; (2) NOT COPY THE DRAWING; (3) NOT DISCLOSE TO OTHERS EITHER THE DRAWING OR THE CONFIDENTIAL OR TRADE SECRET INFORMATION THEREIN; AND (4) UPON COMPLETION OF THE NEED TO RETAIN THE DRAWING, OR UPON DEMAND, RETURN THE DRAWING, ALL COPIES THEREOF, AND ALL MATERIAL COPIED THEREFROM.		<small>NAME</small> GENERAL ARRANGEMENT, RS11-22i, RS15-22i, RECEIVER MOUNTED	
<small>SIZE</small> A1	<small>DWG NO.</small> 47637549001	<small>REVISION</small> D	
<small>SCALE</small> 0.12	<small>NOMENCLATURE</small>	<small>SHEET</small> 10 OF 10	