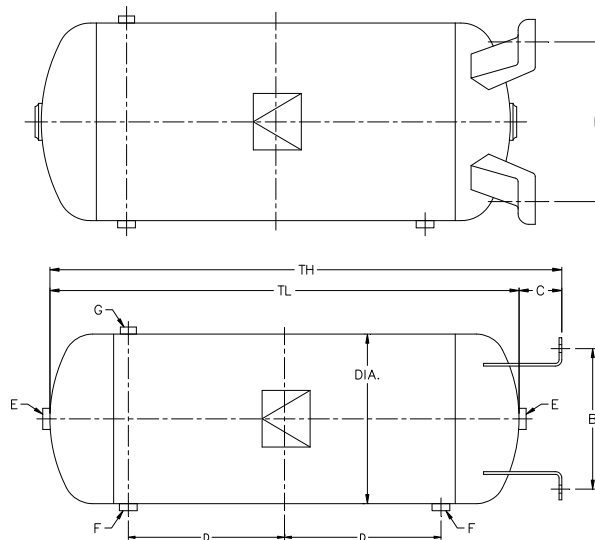
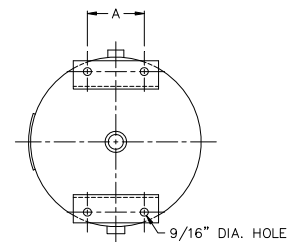




# Small Vertical Air Receivers 10 – 20 Gallons



NOTE: QTY. (4) FORMED FEET.  
USED ON 20 GAL. ONLY.  
"B" IS THE BOLT CIRCLE.



**Description:** Vertical Air Receivers with Feet/Legs

**Specifications:** Built to ASME Code Section VIII

National Board Registered

Carbon Steel

Grey Primer

PART #	DESIGN PRESSURE	DESCRIPTION				DIMENSIONS (INCHES)				OPENINGS (NPT)			WT. (LBS)
		GAL	DIA	TL	TH	A	B	C	D	E	F	G	
A21110030300	300 PSI	10	10	30	33	4	8 ½	3	9 ½	¾	½	¼	39
A21112033250	250 PSI	15	12	33	36	4	10	3	11	¾	½	¼	49
A21114033200	200 PSI	20	14	33	34 ¾	-	17	1 ¾	10 ½	1 ½	½	¼	56