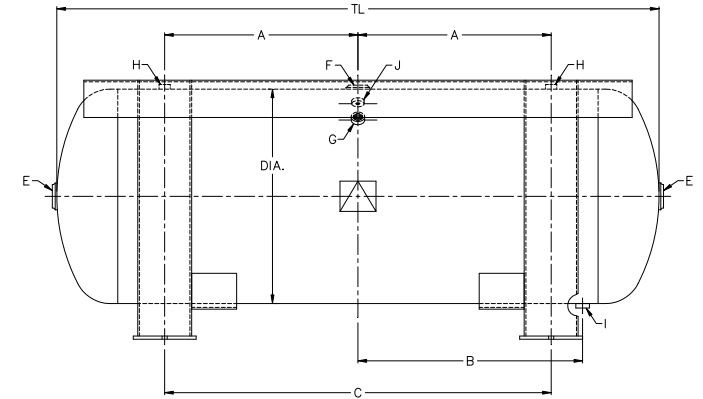
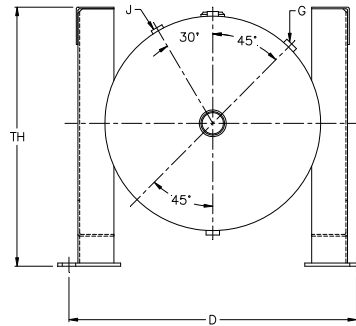


PENWAY

Horizontal Grasshopper Tanks



Description: Horizontal Air Receiver with Feet

Specifications: Built to ASME Code Section VIII

National Board Registered

Carbon Steel

Formed Support Saddles

Grey Primer

200 PSI Maximum Working Pressure

| PART # | DESIGN PRESSURE | DESCRIPTION | | | | DIMENSIONS (INCHES) | | | | OPENINGS (NPT) | | | | | | WT. (LBS) |
|--------------|-----------------|-------------|-----|----|----|---------------------|------|----|------|----------------|-----|---|---|---|-----|-----------|
| | | GAL | DIA | TL | TH | A | B | C | D | E | F | G | H | I | J | |
| A28020048200 | 200 PSI | 60 | 20 | 48 | 25 | 13 ½ | 15 ½ | 27 | 26 ½ | 2 | 1 ½ | ¾ | ½ | ½ | 1/8 | 216 |
| A28020063200 | 200 PSI | 80 | 20 | 63 | 25 | 21 | 23 | 42 | 26 ½ | 2 | 1 ½ | ¾ | ½ | ¾ | 1/8 | 275 |
| A28024067200 | 200 PSI | 120 | 24 | 67 | 29 | 21 ½ | 25 | 43 | 32 | 2 | 1 ½ | ¾ | ½ | ¾ | 1/8 | 413 |
| A28030072200 | 200 PSI | 200 | 30 | 72 | 35 | 21 | 25 | 42 | 40 | 2 | 1 ½ | ¾ | ½ | 1 | 1/8 | 661 |
| A28030084200 | 200 PSI | 240 | 30 | 84 | 35 | 27 | 31 | 54 | 40 | 2 | 2 | ¾ | 2 | 1 | 1/8 | 758 |