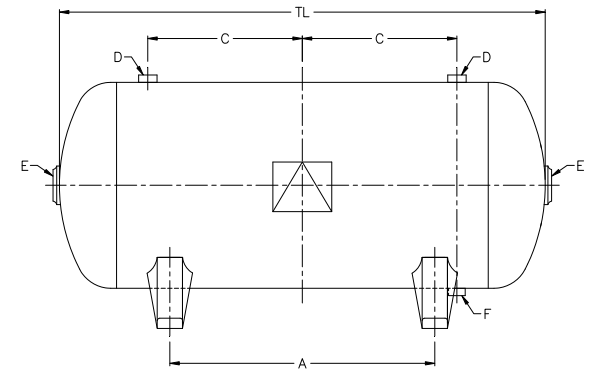
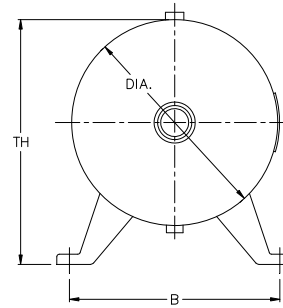


PENWAY

Horizontal Air Receivers 10 - 20 Gallons



Description: Horizontal Air Receiver with Feet
Specifications: Built to ASME Code Section VIII
 National Board Registered
 Carbon Steel
 Grey Primer

PART #	DESIGN PRESSURE	DESCRIPTION				DIMENSIONS (INCHES)			OPENINGS (NPT)			WT. (LBS)
		GAL	DIA	TL	TH	A	B	C	D	E	F	
A22110030300	300 PSI	10	10	30	11 9/16	18	8 1/2	9 1/2	1/2	3/4	1/4	39
A22112033250	250 PSI	15	12	33	13 3/16	20	11	11	1/2	3/4	1/4	46
A22114033200	200 PSI	20	14	33	16 1/4	18	14	10 1/2	1/2	1 1/2	1/4	61