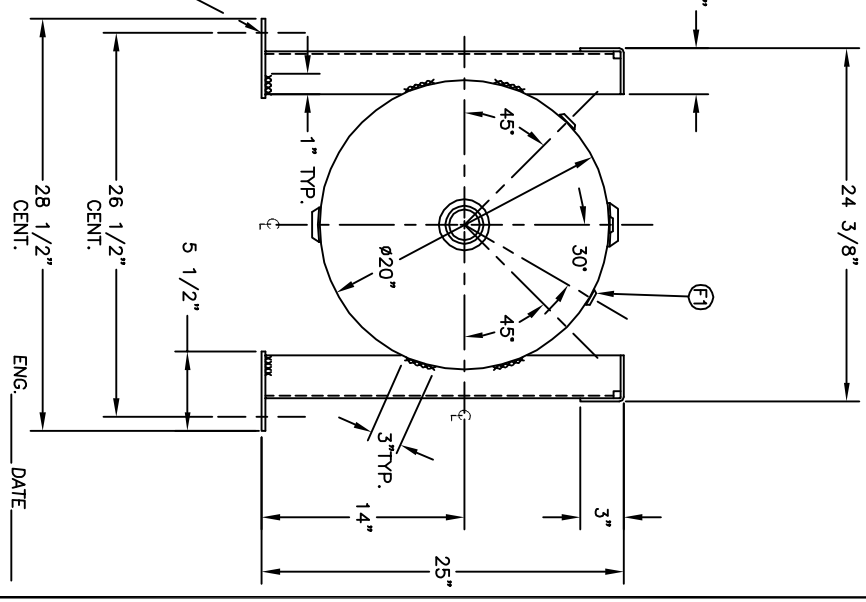
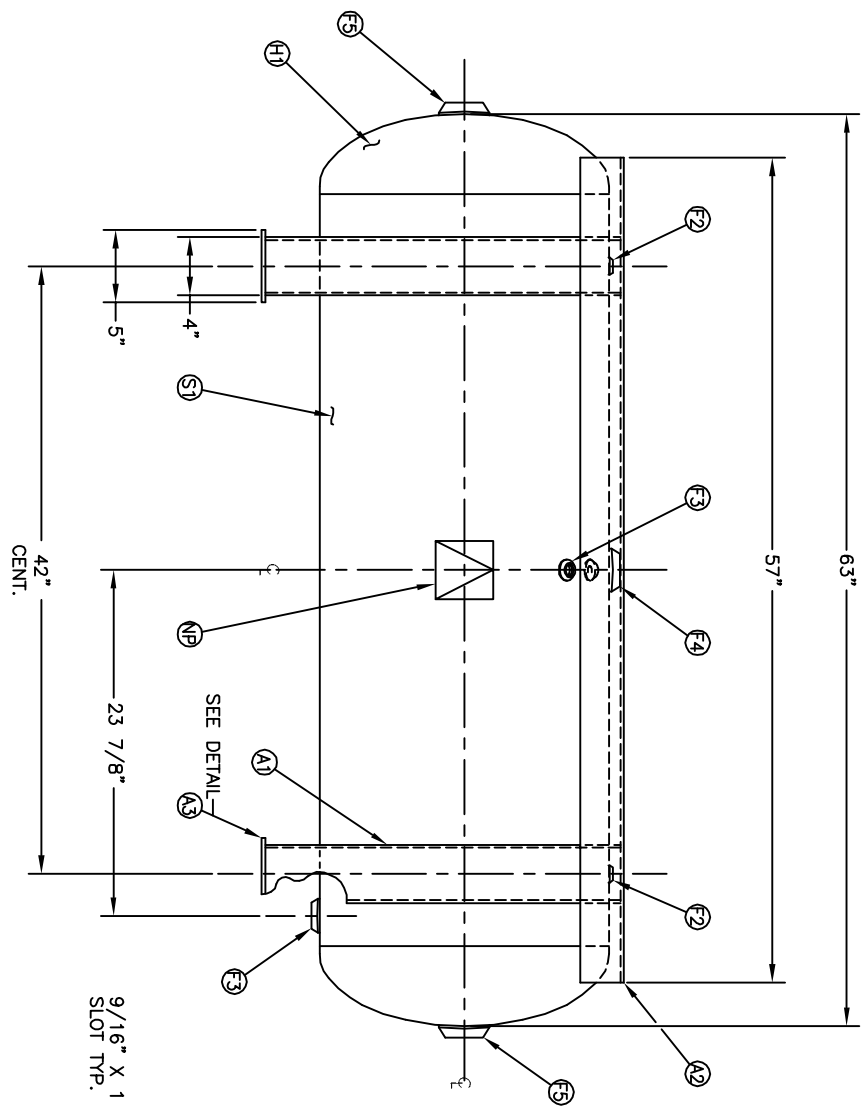


DETAIL OF FOOT

NO.	QTY	DESCRIPTION	SPEC	SUB-DWG.
S1	1			
H1	2			
F1	1	1/8" NPT 1500# FLAT FLANGE	SA-181-70	
F2	2	1/2" NPT 1500# FLAT FLANGE	SA-181-70	
F3	2	3/4" NPT 1500# RADIAL FLANGE	SA-181-70	
F4	1	1 1/2" NPT 1500# RADIAL FLANGE	SA-181-70	
F5	2	2" NPT 1500# FLAT FLANGE	SA-181-70	
A1	4	3/16" X 9 3/8" X 24 9/16" LEG	C1010	
A2	2	3/16" X 5 7/8" X 57" RAILS	C1010	
A3	4	1/4" X 5" X 5 1/2" PAD	C1008	
NP	1	ASME DATA PLATE	C1010	



SM/DATE	BY	REVISION	APP	NOTES	SPECIFICATIONS	DRAWN BY	DATE	SCALE	DRAWING NO.
					O.D. 20 LGTH. 63 SH. HD. SA. 29.2 MAMP 200 PSI @ 450 F. HD. Q.L. 80 RT- MOUNT -20 T@ 200 PSI C.L. 80 EXMT TEST PSI W.T. 300# Q.U.T. 10.7 XRAY CORR ALW SH HD CEN. F0516.1C CODE ASME SECT.VIII, DIV.1 WELD DETAILS: M-1932 PER DATE OF DWG/LAST REV STD. TOLERANCES (UNLESS OTHERWISE NOTED): M-2461	INGESTER Q:\3000	20" X 63" STD. HORIZ. FRAME-MOUNT REC.	NONE 305440	

ENG. _____ DATE _____
 Q.C. _____ DATE _____