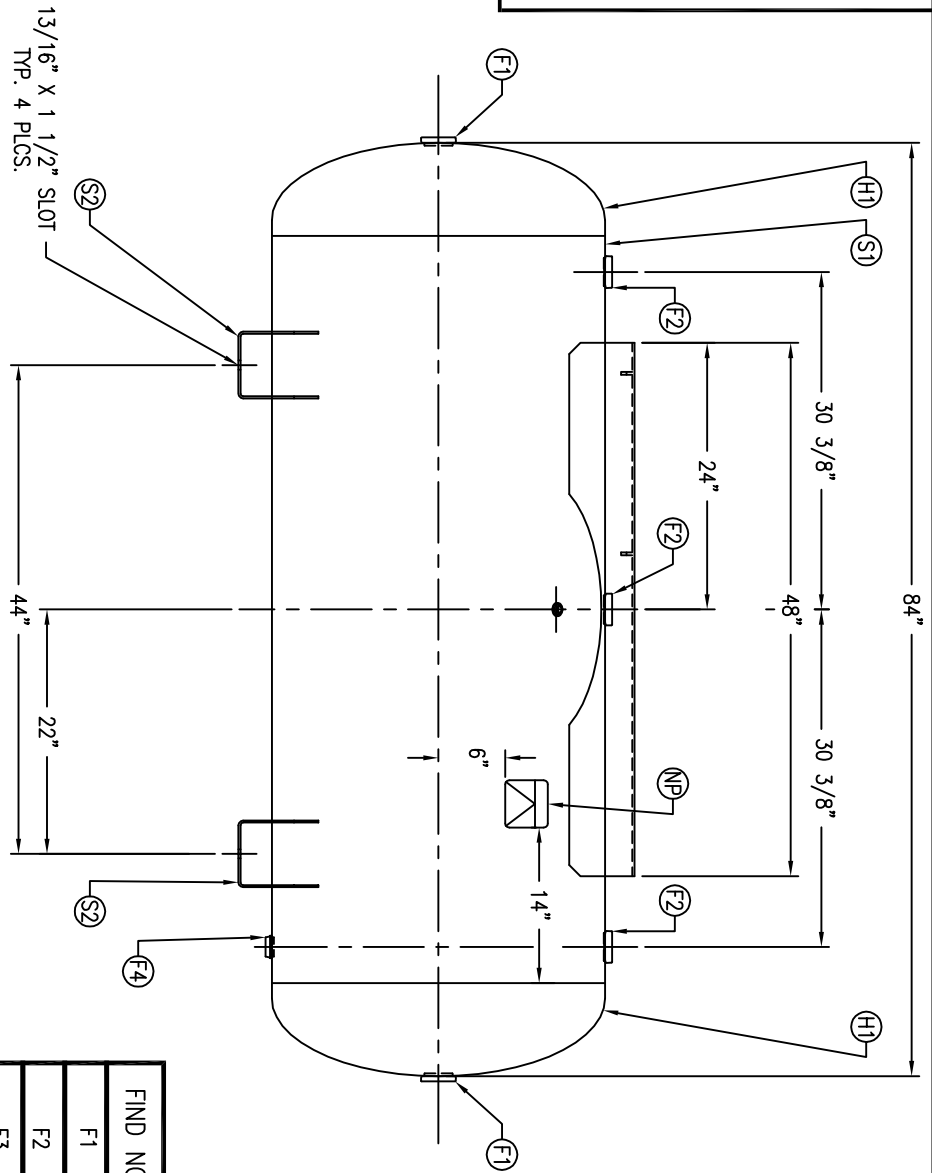
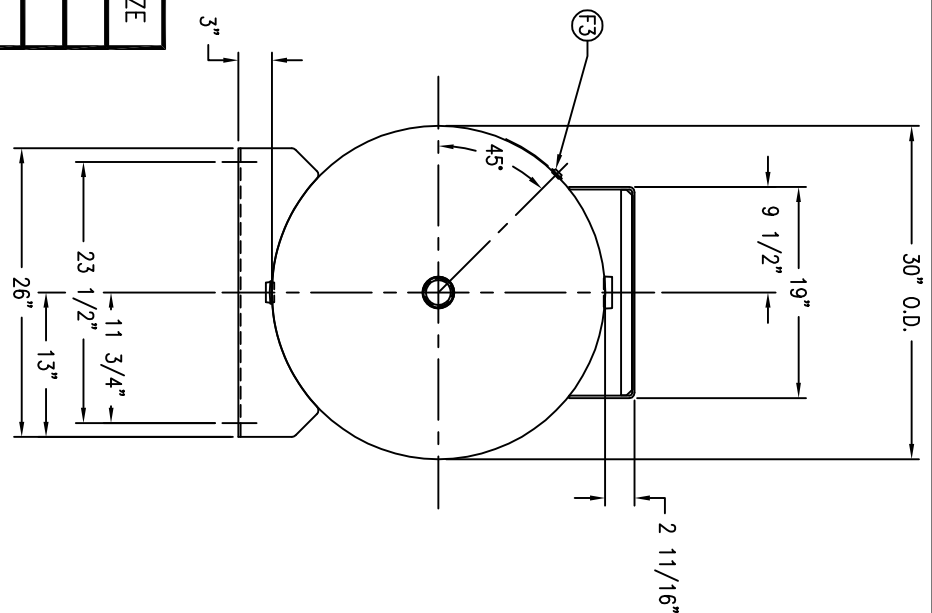


CODE/ADDENDA 2004/- APPROVED JR
 RELEASED FOR PRODUCTION
 Q.C. _____ DATE _____



FIND NO.	NPT SIZE
F1	2
F2	2
F3	1/4
F4	1



SYMBOL	DATE	BY	REVISION	APP	XREF	REV.	NOTES	SPECIFICATIONS

APP	XREF	REV.

O.D. 30 LGTH. 84
 MAMP 200 PSI @ 650 F°
 CRN F0628.1C
 GAL. 240 S.A. 57.8
 WT. 716# CU.FT. 31.3
 CODE: ASME SEC. VIII DIV. I,
 LATEST EDITION & ADDENDA
 WELD DETAILS: M-1932
 STD. TOLERANCES (UNLESS OTHERWISE NOTED): M-2461

MANCHESTER
PIPE

H:\3000\

HORIZONTAL AIR RECEIVER

SCALE: NONE
 DRAWING NO. 302485

DRAWN BY	DATE	SCALE
APP. BY	DATE	DRAWING NO.