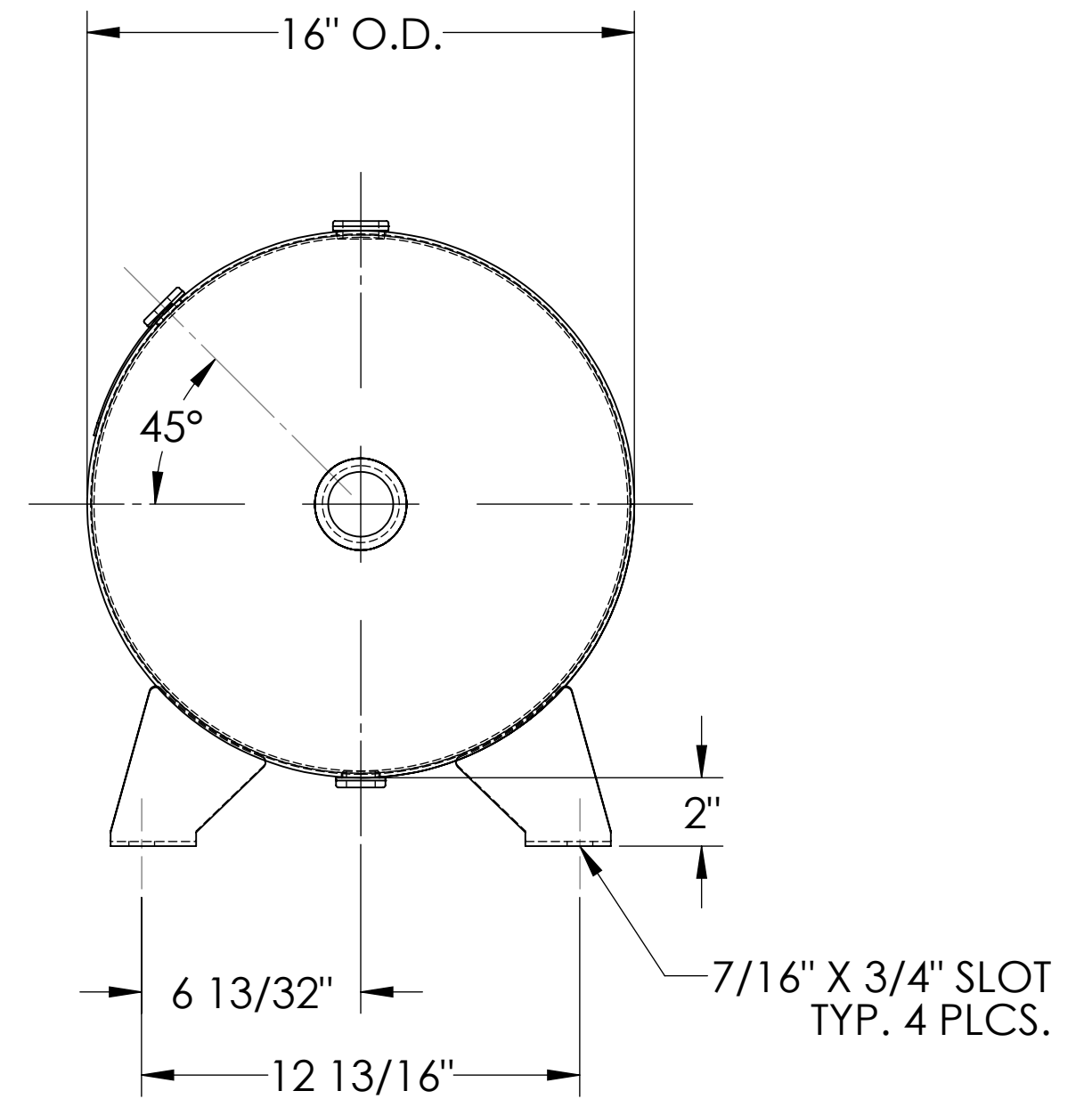
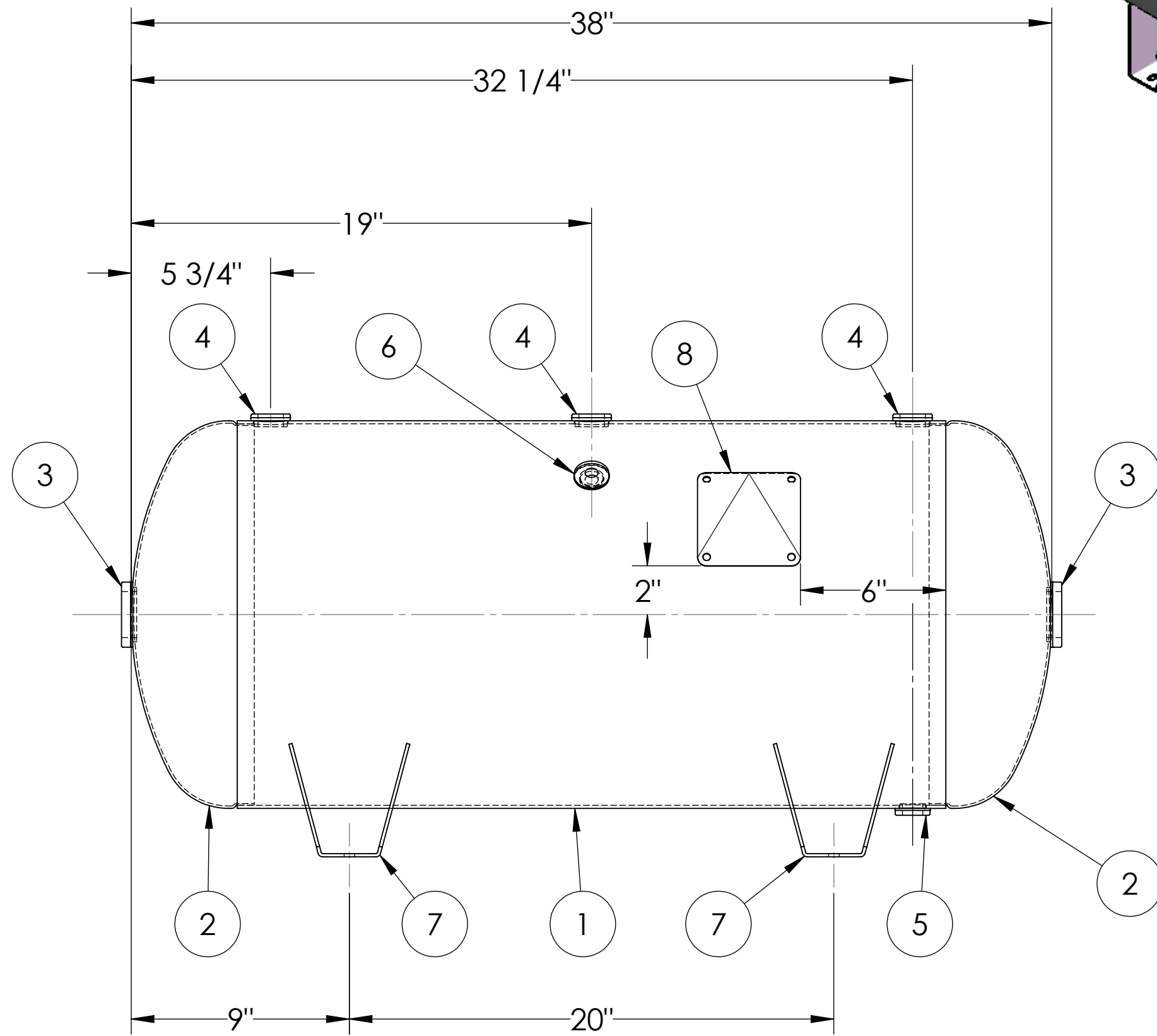
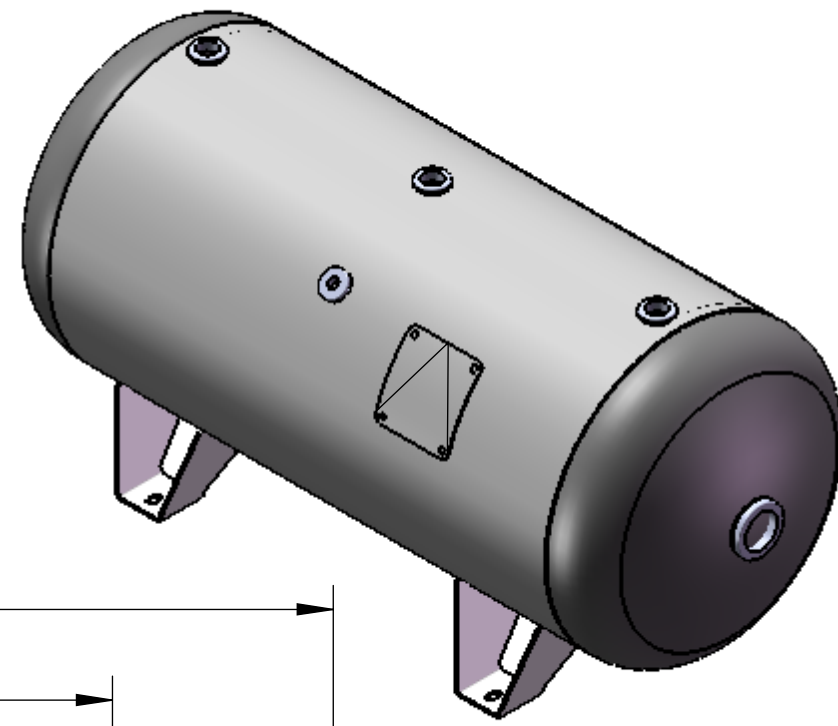


ITEM NO.	PART NO.	DESCRIPTION	QTY.
1	302469-SL	SHELL LAYOUT FOR 16" TANK	1
2	H32011	.099 MIN. 16" O.D. 2:1 ELLIP. JOG. HEAD	2
3	F30315	1 1/2"-NPT FLAT FLANGE O-RING	2
4	F31840	3/4"-NPT FLAT FLANGE	3
5	F10250	1/2"-NPT FLAT FLANGE	1
6	F31826	1/4"-NPT FLANGE	1
7	A55819	FOOT WING FOR 16" TANK	4
8	A20910	ASME DATA PLATE	1



NOTES:

RELEASED FOR PRODUCTION  
Q.C. \_\_\_\_\_ DATE \_\_\_\_\_

SPECIFICATIONS			
O.D. 16	LGTH. 38	MAWP 200 PSI @ 400°F	
WT. 86	LBS.		
S.A. 14.1	SQ.FT.		
GAL. 30	CU.FT.4.0	CRN: F2151.1C	W
CODE: ASME Section VIII, Div.1 LATEST EDITION		EXMT UG-20(f) CORR ALW 0 SH 0 HD	
STD. TOLERANCES: M-2461 (UNLESS OTHERWISE NOTED)		WELD DETAILS: M-1932	
REVISIONS			
REV.	BY	DATE	APP.
DESCRIPTION		DATE	APP.



**MANCHESTER TANK**

**HORIZONTAL AIR RECEIVER**

FILE LOCATION: O:\SolidWorks\3000\302469

DRAWN BY:	DATE:
APPR. BY:	DATE:
SCALE: NONE	DRWG NO. <b>302469</b>