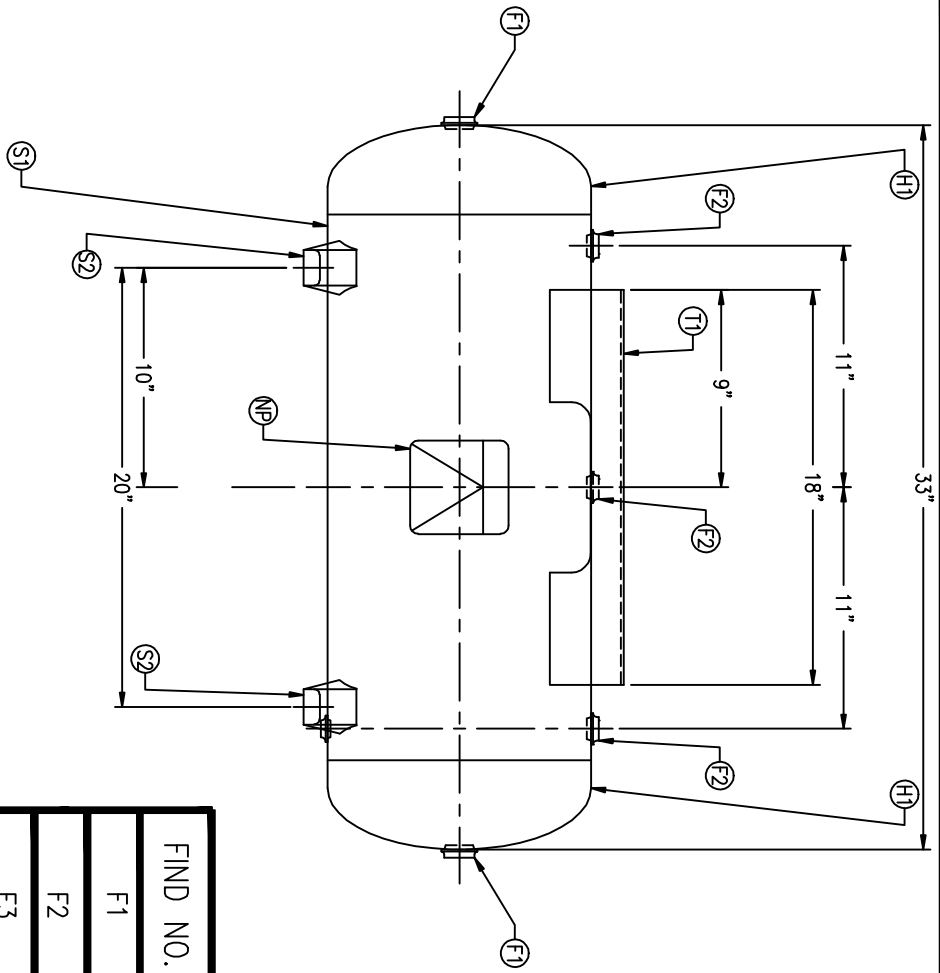
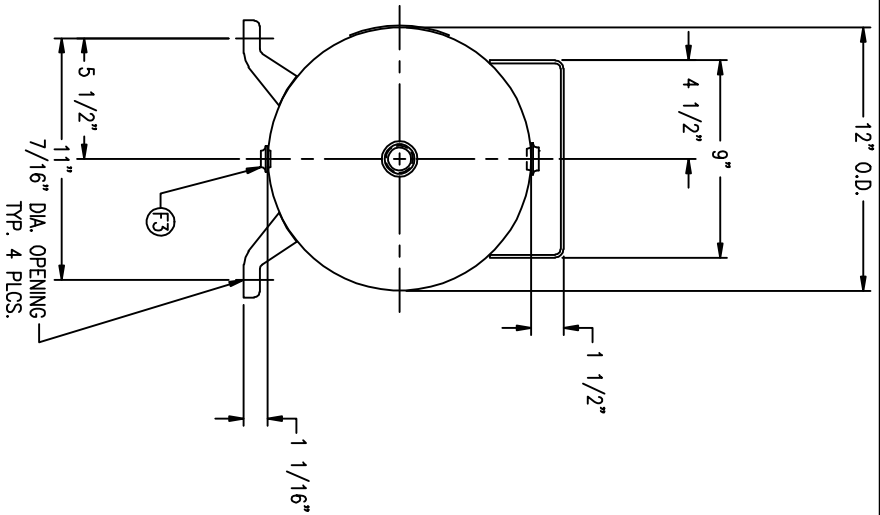


CODE/ADDENDA \_\_\_\_\_ APPROVED  
 RELEASED FOR PRODUCTION  
 Q.C. \_\_\_\_\_ DATE \_\_\_\_\_



FIND NO.	NPT SIZE
F1	3/4
F2	1/2
F3	1/4



NOTES

REVISION

DATE	BY

APP. XREF. REV.

C1013 A
C1012

SPECIFICATIONS

O.D. 12 LGTH. 33  
 MAWP 300 PSI @ 650 F

GAL. 15 S.A. 9.1  
 WT. 66# CU.FT. 1.9

CRN H8368.1234567890  
 WELD DETAILS: M-1932  
 STD. TOLERANCES (UNLESS OTHERWISE NOTED): M-2461

CODE: ASME SEC.VIII DIV. 1,  
 LATEST EDITION & ADDENDA



Q.A. 3000

HORIZONTAL AIR RECEIVER

DATE	BY	SCALE	DATE	BY
		NONE		

DRAWING NO. 302465