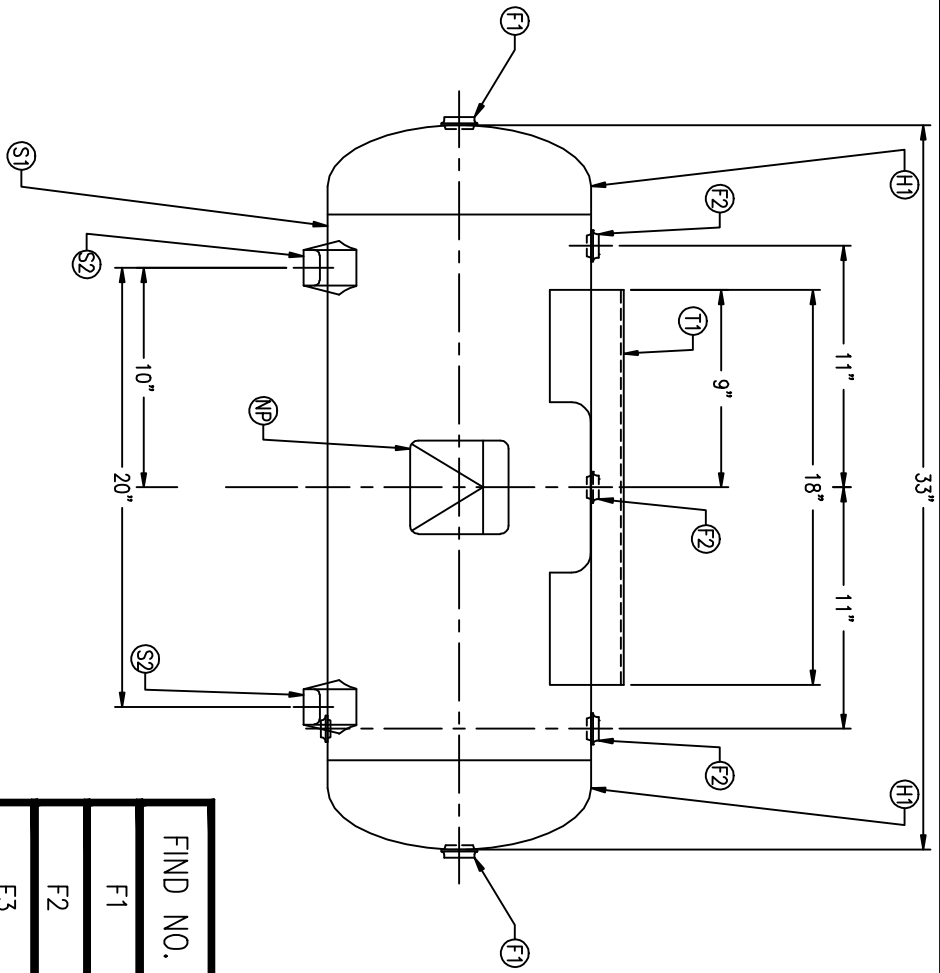


CODE/ADDENDA _____ APPROVED _____
 RELEASED FOR PRODUCTION
 Q.C. _____ DATE _____



FIND NO.	NPT SIZE
F1	3/4
F2	1/2
F3	1/4

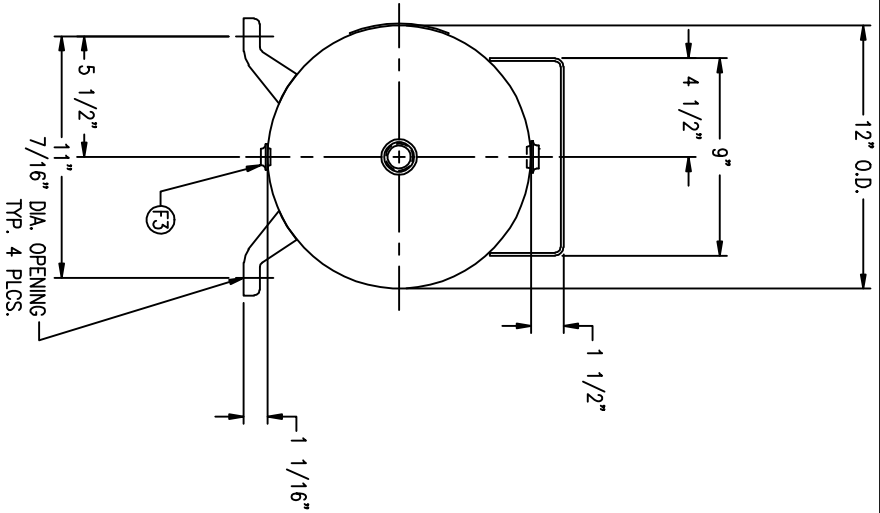
NOTES

SPECIFICATIONS

O.D. 12 LGTH. 33
 MAWP 200 PSI @ 650 °F

CRN F1144.1C
 GAL. 15 S.A. 9.1
 WT. 51# CU.FT. 2.0

WELD DETAILS: M-1932
 STD. TOLERANCES (UNLESS OTHERWISE NOTED): M-2461



1000023 V0001 V002

HORIZONTAL AIR RECEIVER

DRAWN BY	DATE	SCALE: NONE
APP. BY	DATE	DRAWING NO. 302464

SWM	DATE	BY	REVISION	APP	XREF	REV.
					C695	C
					C1012	