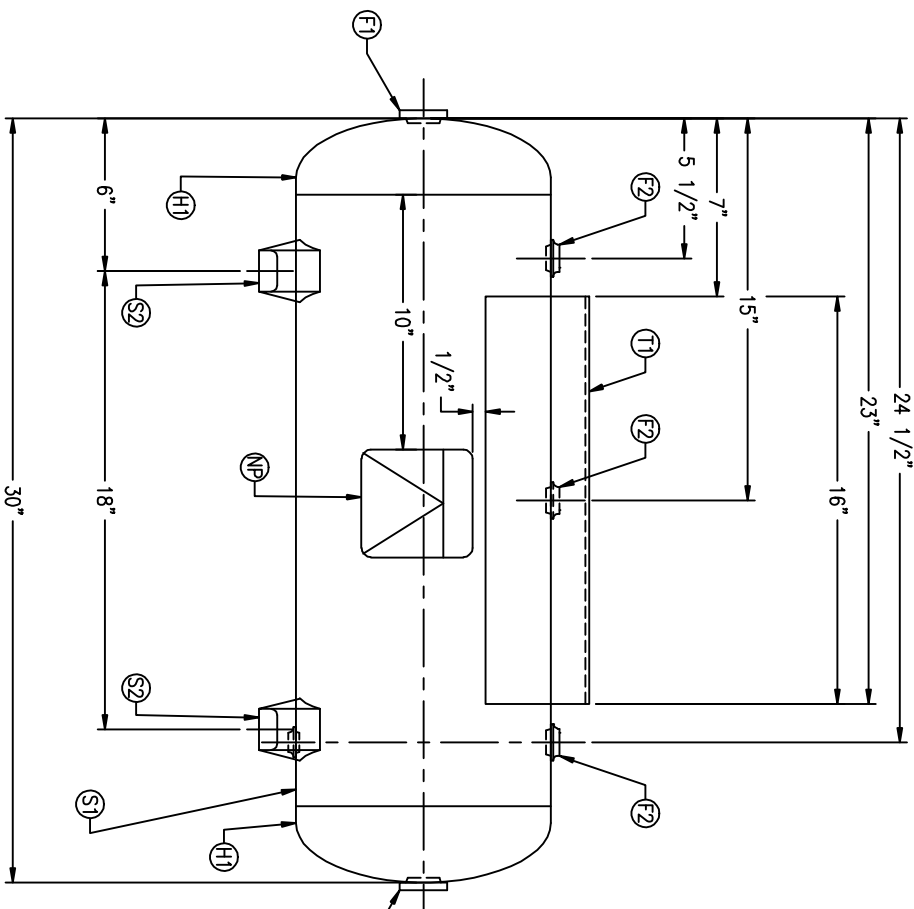


CODE/ADDENDA 2004/2006 APPROVED KM
 RELEASED FOR PRODUCTION
 Q.C. _____ DATE _____



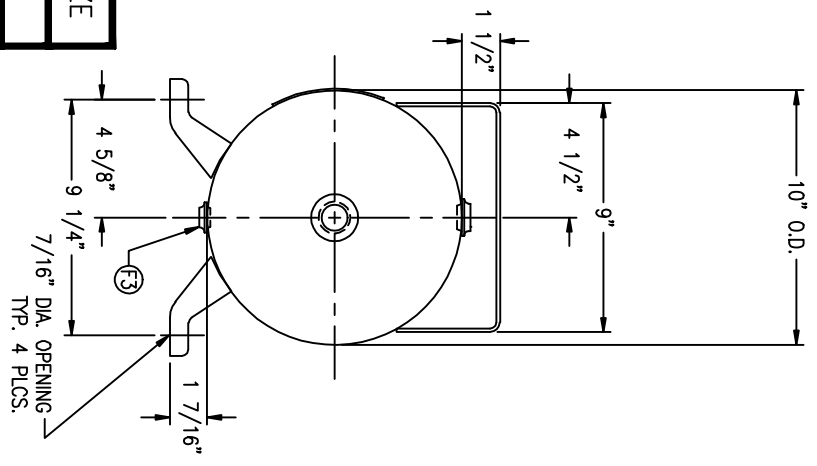
| FIND NO. | NPT SIZE |
|----------|----------|
| F1 | 3/4 |
| F2 | 1/2 |
| F3 | 1/4 |

SPECIFICATIONS

O.D. 10 LGTH. 30
 MAMP 200 PSI @ 650 °F

CRN F2150.1C
 GAL. 10 S.A. 6.9
 WT. 43# CU.LFT. 1.2

WELD DETAILS: M-1932
 STD. TOLERANCES (UNLESS OTHERWISE NOTED): M-2461
 CODE: ASME SEC. VIII DIV. I,
 LATEST EDITION & ADDENDA



HORIZONTAL AIR RECEIVER

| | | |
|----------|------|--------------------|
| DRAWN BY | DATE | SCALE: NONE |
| APP. BY | DATE | DRAWING NO. 302461 |

| SYM | DATE | BY | REVISION | APP | XREF | REV | NOTES |
|-----|------|----|----------|-----|-------|-----|-------|
| | | | | | C1084 | | |
| | | | | | C1085 | A | |