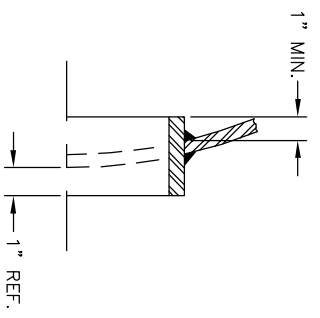
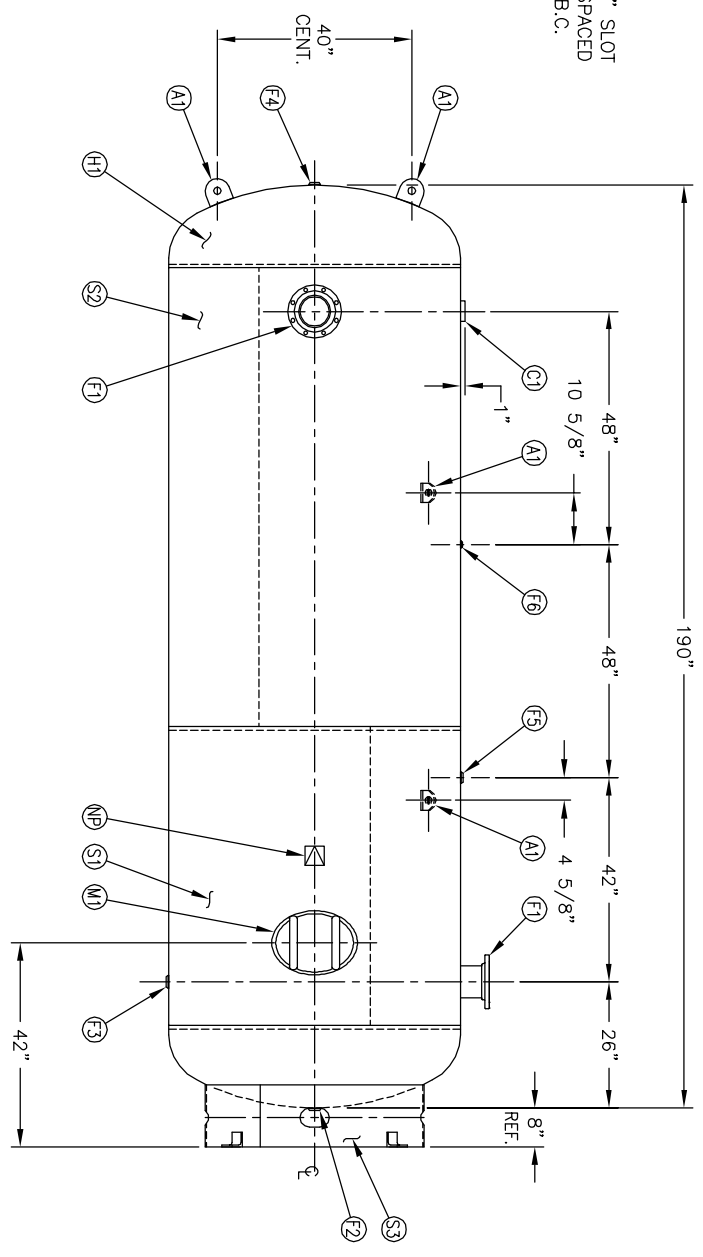
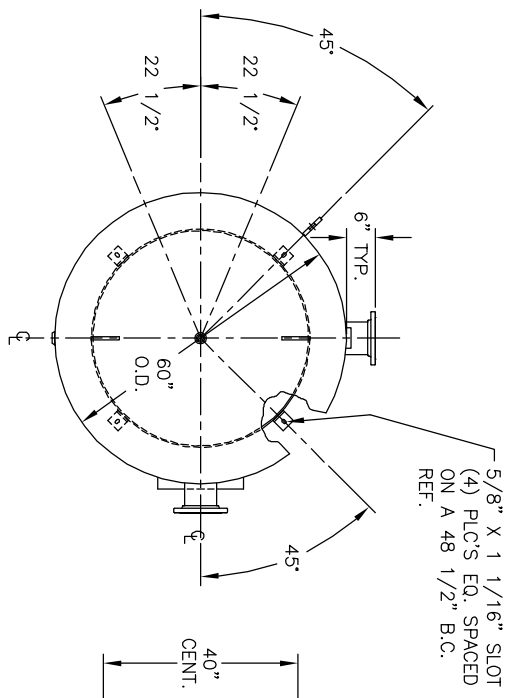


6" NOZZLE DETAIL



MANWAY DETAIL

NO. QTY.	DESCRIPTION	SPEC	SUB-DWG.
S1 1			
S2 1			
H1 2			
F1 2	6" 150# ANSI REF. SO. FLANGE	SA-105	
F1 2	6" S/120 PIPE X 7 1/2" LONG	SA-106-B	
F1 2	.134 X 8 5/8" O.D. X 6 5/8" I.D. BACKING RING	C1008	
F2 1	1 1/4"-NPT 1500# FLAT FLANGE	SA-181-70	
F3 1	1 1/4"-NPT 1500# RADIAL FLANGE	SA-181-70	
F4 1	1"-NPT 1500# FLAT FLANGE	SA-181-70	
F5 1	1"-NPT 1500# RADIAL FLANGE	SA-181-70	
F6 1	1/4"-NPT 1500# FLAT FLANGE	SA-181-70	
C1 1	3"-NPT 3000# HALF COUPLING	SA-105	
M1 1	12" X 16" X 1" X 4" 300# MANWAY	SA-106-C	
A1 4	3/4" X 5" X 5" STANDARD LIFT LUG		A84524
S3 1	STANDARD 8" SKIRT & CLIP ASSY. FOR 60" DIA.		A85012
NP 1	ASME DATA PLATE	C1010	



ENG. DATE _____
 Q.C. DATE _____



VERTICAL AIR RECEIVER

REV	DATE	BY	REVISION	APP	REF	REV	NOTES	SPECIFICATIONS	SCALE	DRAWING NO.
A		EGB						O.D. 60 LGH. 190 SH. HD. 42"	NONE	302450
1		AW		TA	JR			MAMP 200 PSI @ 400 F. RT- WDMT F@ P91 GAL. 2200 SA. 264		
2		JPR		AMA	JC			WT. 4500 CUFT. 294.1 CORR ALW SH HD		
3		JC						WELD DETAILS: M-1932 STD. TOLERANCES (UNLESS OTHERWISE NOTED): M-2461		