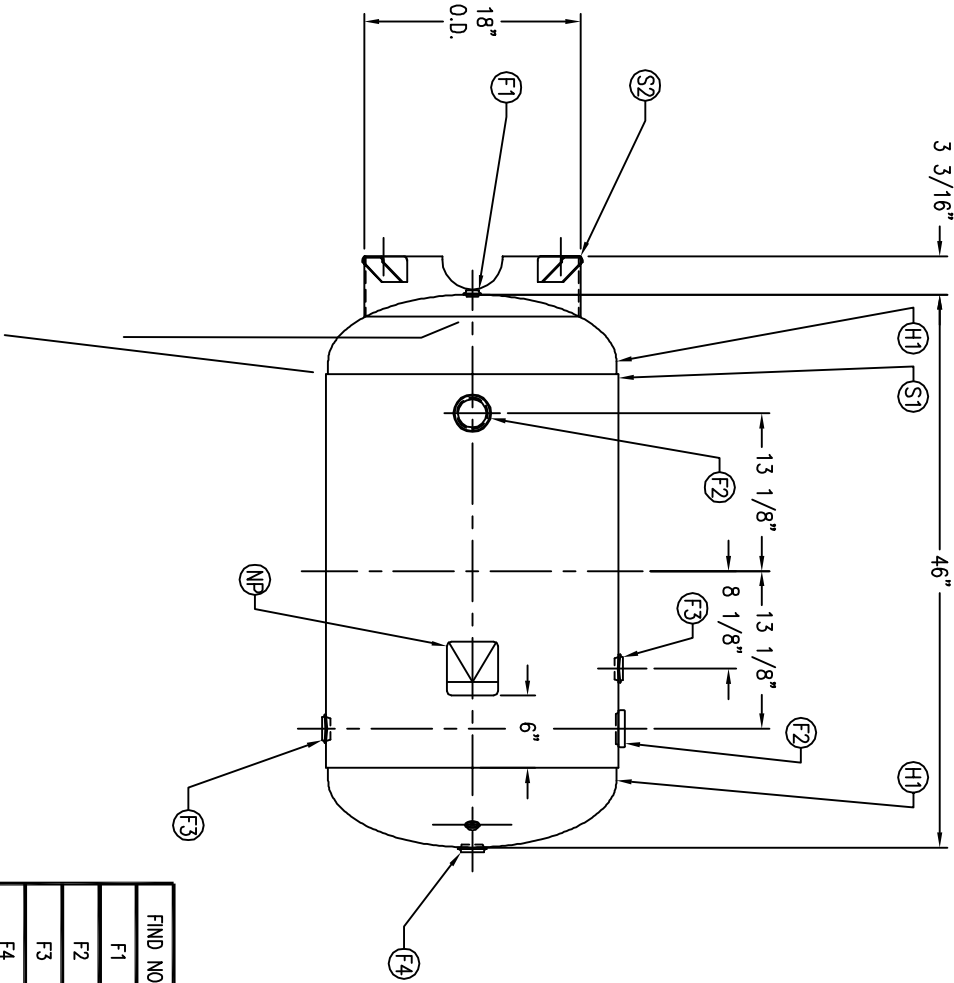


CODE/ADDENDA 2010/2011A APPROVED DP
 RELEASED FOR PRODUCTION
 Q.C. _____ DATE _____

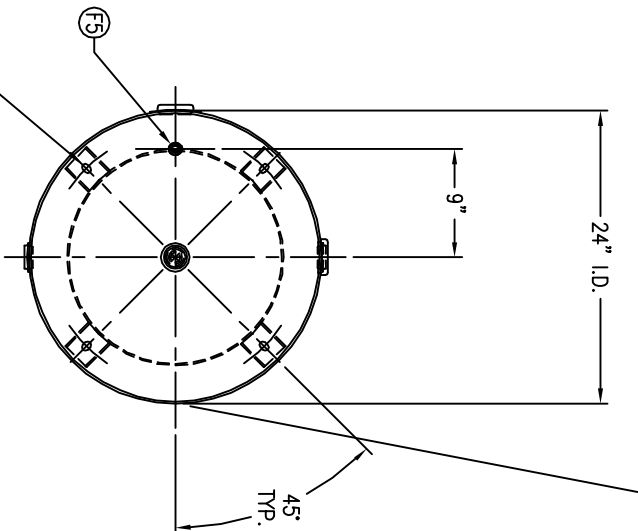


FIND NO.	NPT SIZE
F1	1/2
F2	2
F3	1-1/4
F4	1-1/4
F5	1/4

SPECIFICATIONS

ID. 24	LGTH. 46	SH.	MAT'L
MAMP 200	PSI @ 650 F.	HD.	MAT'L
RT- MDMT	T@ PSI	GAL. 80	S.A. 26.3
EMIT	TEST	WT. 220#	CU.F.T. 10.7
XRAY	W	CORR ALW	SH
CRN E7400.2C		CODE: ASME SEC. VIII DIV. 1	HD
		LATEST EDITION & ADDENDA	
		WELD DETAILS: M-1932	
		STD. TOLERANCES (UNLESS OTHERWISE NOTED): M-2461	

9/16" X 7/8" SLOTS
 90° APART ON A
 21" DIA. BOLT CIRCLE



manchester engineering
 DWG\302

VERTICAL AIR RECEIVER

DRAWN BY EGB	DATE	SCALE: NONE
APP. BY EGB	DATE	DRAWING NO. 302417

S/W	DATE	BY	REVISION
A		EGB	
B		CM	

APP	XREF	REV.
EGB	C427	E
DP	C694	B