

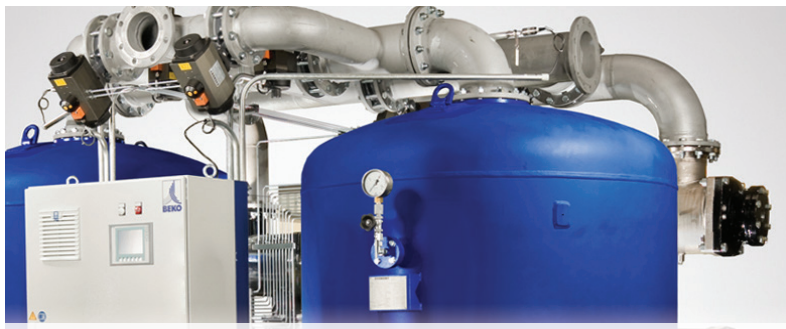


DRYPOINT® XF

hyper-intelligent heated desiccant drying



DRYPOINT® XF Heated Desiccant Dryers

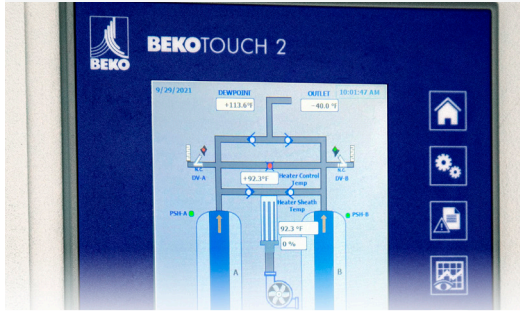


Customization

With a wide standard range up to 6,000 scfm, a variety of options plus our custom engineering capabilities, we have a perfect solution for every application.

Patented ecoIntelligence Technology

The ecoIntelligent PLC is capable of adjusting all energy consumption autonomously, choosing the most energy efficient mode of operation regardless of where the dryer is located.



Advanced Controller

The intuitive, feature rich BEKOTOUCH 2 controller is standard with full-color, 7" touchscreen display, data trends, spare parts list, free firmware updates, and more.



Reliable Design

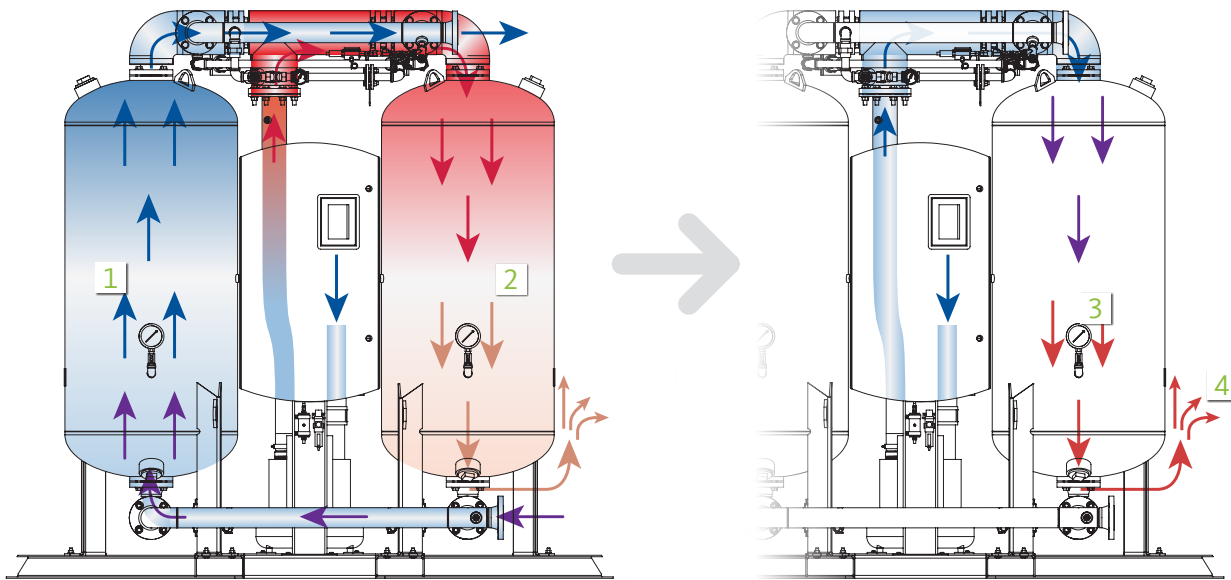
Designed and built in the U.S.A. with components like galvanized pipe and premium butterfly valves for longer service intervals than our competition.



Energy Savings

The DRYPOINT XF line stands alone with its design synergy to yield energy savings of up to 90% compared to conventional regenerative dryers.

How it Works

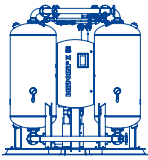


1. Saturated compressed air enters the open inlet valve and flows upward through the tower where the desiccant adsorbs the water vapor. Dried air passes through the outlet check valve, exiting to the air distribution system.
2. The offline tower regenerates when the blower forces ambient air across an in-line heater and pushes it downward through the regenerating tower. This heated, dry air, extracts water from the moisture-laden desiccant, exiting the bottom of the tower through the exhaust valve and is vented to atmosphere.
3. The regenerated tower is cooled, initially by turning off the heater and running the blower. A small amount (3% average) of dry purge air is then used to reach required temperature. XFi models with ecoIntelligent mode can reduce the purge consumption even further (0-3%).
4. After meeting target cooling temperature, the exhaust valve closes and the vessel is re-pressurized. The air flow through the dryer will then reverse.

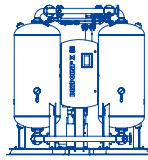
DRYPOINT® XF Heated Desiccant Dryers

Regenerative desiccant dryers are frequently found in industrial applications around the world. These dryers use a desiccant material, which adsorbs the water vapor in the air stream. Heated regenerative type desiccant dryers utilize an external heater to regenerate the desiccant in one tower while the other tower dries the compressed air to a very low dew point. The XFi models use patented, hyper-intelligent technology and autonomous systems to control the performance and maximize cost savings.

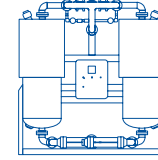
Compare



XFe Line
Economy Heated Blower Series



XFi Line
ecoIntelligent Heated Blower Series



ACH Line
External Heated Purge Series

Flow Rates

800 - 6,000 scfm

800 - 6,000 scfm

70 - 4,050 scfm

Standard Outlet Pressure Dew Point | Optional

-40 °F

-40 °F

-40 °F | -80 °F

Maximum Inlet Air Temperature

120 °F

120 °F

120 °F

Maximum Operating Pressure | Optional

150 psig

150 psig

150 psig | 250 psig

Average Purge Air

3%

0-3%

7%

Available Options

Mounted filters, 3-valve bypass, Outdoor package, Dew point demand control, Tower insulation, Valve position indicators, Cover3More extended warranty

Mounted filters, 3-valve bypass, Outdoor package, Tower insulation, Valve position indicators, Cover3More extended warranty

Mounted filters, 3-valve bypass, Dew point demand control, Tower insulation, Cover3More extended warranty

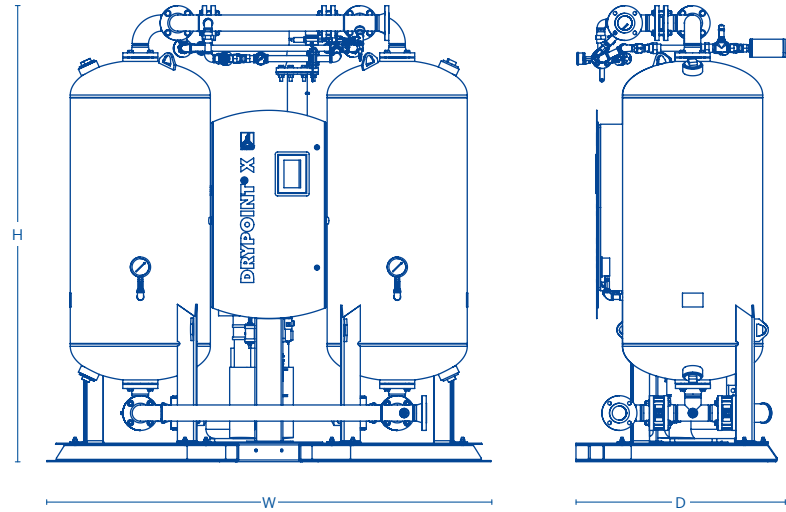
Product Family



DRYPOINT® XFe Economy Heated Blower Purge Desiccant Dryers

with external heated blower, high performance valves and **BEKOTOUCH 2** interface

- › Standard outlet pressure dew point: -40 °F
- › Electrical power supply: 460 VAC / 3 Ph / 60 Hz
- › Required pre-filtration grade SX: .01 µm | Required post-filtration grade FX: 1 µm
- › cUL certified controls with NEMA 4 indoor rating
- › Min. / max. inlet air temperature: 40 °F / 120 °F
- › Min. / max. ambient temperature: 40 °F / 120 °F
- › Min. / max. operating pressure: 60 / 150 psig



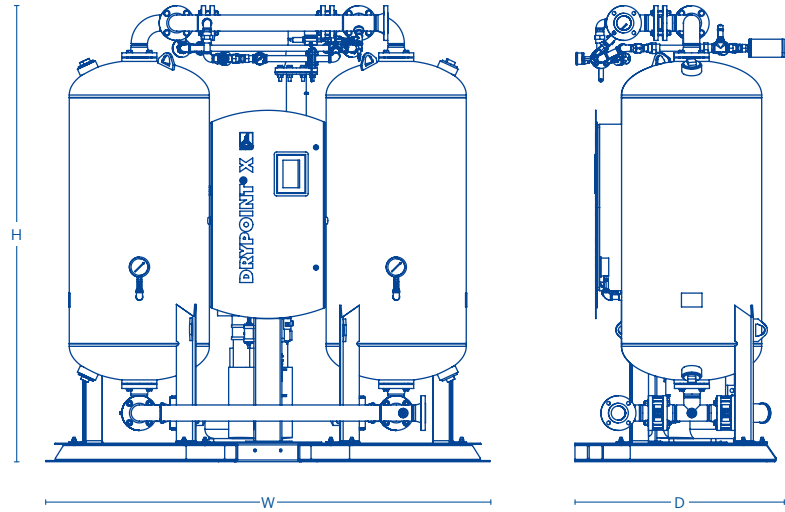
DRYPOINT® XFe	XFe 800	XFe 1000	XFe 1200	XFe 1500	XFe 1800
Connection Size (NPT)	2½" Flange	2½" Flange	3" Flange	3" Flange	4" Flange
Flow Rate (scfm)	800	1000	1200	1500	1800
Dimensions and Weight					
H x W x D (inches)	110 x 95 x 39	111 x 95 x 39	115 x 106 x 47	99 x 106 x 47	118 x 126 x 54
Empty Weight (lbs)	1,841	2,222	2,417	2,486	3,354
Total Fill (lbs)	1,260	1,570	1,890	2,370	2,840

DRYPOINT® XFe	XFe 2300	XFe 2800	XFe 3300	XFe 4000	XFe 5000	XFe 6000
Connection Size (NPT)	4" Flange	4" Flange	6" Flange	6" Flange	6" Flange	6" Flange
Flow Rate (scfm)	2300	2800	3300	4000	5000	6000
Dimensions and Weight						
H x W x D (inches)	112 x 126 x 54	127 x 126 x 54	121 x 148 x 71	138 x 149 x 71	137 x 192 x 66	136 x 192 x 66
Empty Weight (lbs)	3,951	3,967	4,766	5,507	7,206	8,422
Total Fill (lbs)	3,640	4,390	5,180	6,260	7,820	9,380

DRYPOINT® XFi ecoIntelligent Heated Blower Auto-purge Desiccant Dryers

with environmentally aware, auto-adjusting ecoIntelligence software and BEKOTOUCH 2 interface

- › Standard outlet pressure dew point: -40 °F
- › Electrical power supply: 460 VAC / 3 Ph / 60 Hz
- › Required pre-filtration grade SX: .01 µm | Required post-filtration grade FX: 1 µm
- › cUL certified controls with NEMA 4 indoor rating
- › Min. / max. inlet air temperature: 40 °F / 120 °F
- › Min. / max. ambient temperature: 40 °F / 120 °F
- › Min. / max. operating pressure: 60 / 150 psig



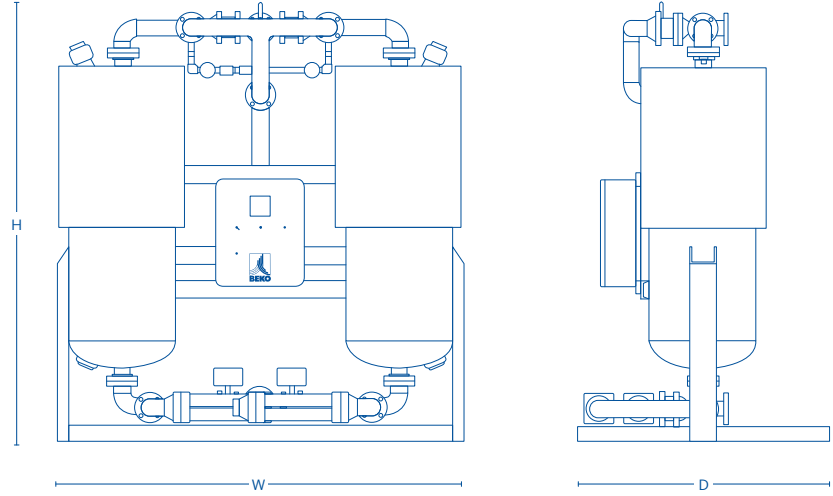
DRYPOINT® XFi	XFi 800	XFi 1000	XFi 1200	XFi 1500	XFi 1800
Connection Size (NPT)	2½" Flange	2½" Flange	3" Flange	3" Flange	4" Flange
Flow Rate (scfm)	800	1000	1200	1500	1800
Dimensions and Weight					
H x W x D (inches)	110 x 95 x 39	111 x 95 x 39	115 x 106 x 47	99 x 106 x 47	118 x 126 x 54
Empty Weight (lbs)	1,815	2,104	2,357	2,526	3,057
Total Fill (lbs)	1,260	1,570	1,890	2,370	2,840

DRYPOINT® XFi	XFi 2300	XFi 2800	XFi 3300	XFi 4000	XFi 5000	XFi 6000
Connection Size (NPT)	4" Flange	4" Flange	6" Flange	6" Flange	6" Flange	6" Flange
Flow Rate (scfm)	2300	2800	3300	4000	5000	6000
Dimensions and Weight						
H x W x D (inches)	112 x 126 x 54	126 x 126 x 54	121 x 148 x 71	138 x 149 x 71	137 x 192 x 66	136 x 192 x 66
Empty Weight (lbs)	3,698	4,000	5,592	6,468	7,236	7,711
Total Fill (lbs)	3,640	4,390	5,180	6,260	7,820	9,380

DRYPOINT® ACH Heated Purge Desiccant Dryers

with PLC controller and optional insulation

- › Standard outlet pressure dew point: -40 °F
- › Optional outlet pressure dew point: -80 °F
- › Electrical power supply: 460 VAC / 3 Ph / 60 Hz
- › Required pre-filtration grade SX: .01 µm | Required post-filtration grade FX: 1 µm
- › NEMA 4 indoor
- › Min. / max. inlet air temperature: 40 °F / 120 °F
- › Min. / max. ambient temperature: 40 °F / 120 °F
- › Min. / max. operating pressure: 60 / 150 psig
- › Optional operating pressure: 250 psig



DRYPOINT® ACH	ACH 70	ACH 130	ACH 180	ACH 260	ACH 355	ACH 460	ACH 575
Connection size (NPT)	¾"	1"	1"	1½"	1½"	2"	2"
Flow Rate (scfm)	70	130	180	260	355	460	575

Dimensions and Weight

H x W x D (inches)	72 x 50 x 22	72 x 54 x 24	90 x 54 x 36	92 x 60 x 24	92 x 62 x 26	96 x 70 x 42	96 x 72 x 30
Empty Weight (lbs)	475	600	700	1,078	1,225	1,372	1,764
Total Fill (lbs)	100	180	250	360	490	640	800

DRYPOINT® ACH	ACH 720	ACH 1010	ACH 1300	ACH 1725	ACH 2350	ACH 3250	ACH 4050
Connection size (NPT)	2½"	3" Flange	3" Flange	4" Flange	4" Flange	6" Flange	6" Flange
Flow Rate (scfm)	720	1010	1300	1725	2350	3250	4050

Dimensions and Weight

H x W x D (inches)	96 x 90 x 38	96 x 96 x 42	108 x 96 x 56	112 x 104 x 48	120 x 120 x 54	120 x 144 x 56	120 x 144 x 60
Empty Weight (lbs)	2,352	4,704	5,390	6,272	8,036	11,760	12,740
Total Fill (lbs)	1,000	1,400	1,800	2,400	3,300	4,500	5,600

Correction Factors

Operating Pressure (psig)	60	70	80	90	100	110	120	130	140	150
Correction Factor	.65	.73	.82	.91	1.00	1.09	1.18	1.27	1.35	1.44

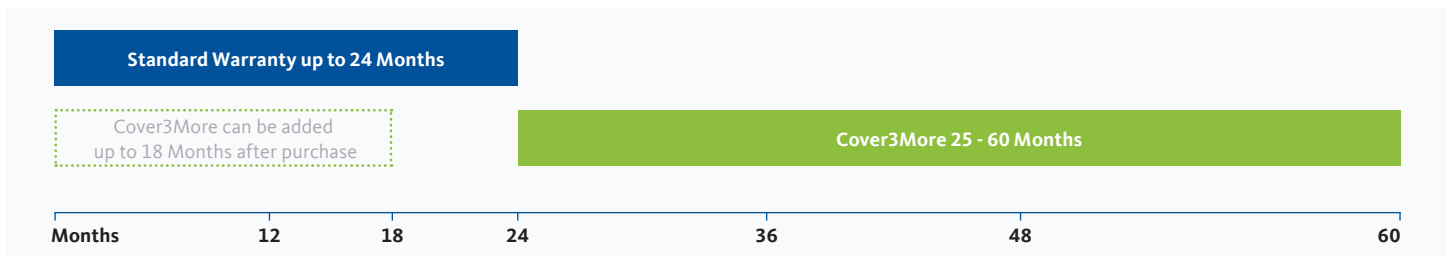
Inlet Air Temperature °F	90	95	100	110	115	120
Correction Factor	1.15	1.06	1.00	.82	.60	.51

The correction factors on this page provide an estimation of the performance that can be achieved with the model sizes shown. Sizing must be done by a product specialist, please consult your BEKO Technologies representative.

+3
Years on all
Products

ask your
sales representative
for complete details
and extend your full
warranty today

At a Glance



Cover3More is available on all our product lines			
DRYPOINT® RA	Refrigerant Air Dryers	BEKOMAT®	Zero Air Loss Drains
DRYPOINT® X / AC	Desiccant Air Dryers	QWIK-PURE®/ÖWAMAT®	Oil-water Separators
DRYPOINT® M	Membrane Air Dryers	METPOINT®	Instrumentation
CLEARPOINT®	Filters and Water Separators	BEKOKAT®	Hydrocarbon Removal Systems

How it Works

1. Select the product or products that you wish to cover with the extended warranty.
2. Simply add 8% to the net price of each product or call your sales representative if you need help calculating your final net price.
3. Include this information as a line item with your purchase order or purchase the warranty extension up to 18-months post-sale.

What we need from you: It's not much. In fact, if you are purchasing the Cover3More extended warranty with a new equipment purchase, all you have to do is include a line item on your order indicating which items you wish you cover, and we will take care of the rest. If you happen to be adding coverage to a product you've already taken delivery of, then all we need is the company name and contact information of the original purchaser, the product model number of the product to be covered, serial number, and original purchase order number or BEKO Technologies invoice number, and we will apply coverage appropriately. **Please feel free to contact us at +1 (800) 235-6797 to get started.**

All maintenance procedures, including filter element changes, must be carried out in accordance with the manual in order to maintain any warranty.

■ Compare

We give you more: In addition to a robust, standard 2-year warranty on BEKO Technologies products, we offer our customers the option of extending the standard warranty even further with the **Cover3More** program – a low cost, all-encompassing, and simple warranty extension program.

- › Extends the standard factory warranty for an additional 3-years
- › May be purchased at any time up to 18-months post-sale
- › No hassle and easy to calculate without any hidden costs

Secure your future with a minimal investment. The **Cover3More** extended warranty program from BEKO Technologies ensures that your investment is covered for a total of 5-years at a nominal cost.

- › 2-year standard warranty covers parts and labor
- › 3-year extended warranty covers parts only, no parts restrictions
- › Significantly reduces your risk of having unexpected costs

Reliability you can count on: With the Cover3More extended warranty program, BEKO Technologies not only lengthens the standard warranty period by 3-years from the installation date, but also draws on the company's vast compressed air industry experience to quickly resolve any product problems you may experience in the least disruptive way possible, thereby keeping downtime to an absolute minimum. Should a repair be required, it will be handled by qualified, authorized personnel, and only original parts will be used.

What's in the fine print: The optional 36-month warranty extension (i.e. Cover3More) is a limited extended warranty that covers parts only from months 25-60.

However, all of the aforementioned installation, performance, and quality requirements must still be met in order to maintain extended warranty coverage. Failure to do so will render all warranties null and void.

The limited extended warranty coverage may be purchased and applied to any of the BEKO Technologies product lines included in the scope of the Cover3More extended warranty program from the original date of purchase from BEKO Technologies to 18-months thereafter.

Extended warranty coverage may not be purchased during the final 6-months of the standard warranty coverage, which are months 19-24 from the date of shipment or at BEKO Technologies' discretion, the date of installation.

The purchase price of the Cover3More limited extended warranty is not prorated and the current published purchase price is always applied.

Should the extended warranty coverage be purchased post-delivery or post-sale, then the serial number of all products to which the warranty shall be extended must be provided to BEKO Technologies at the time of purchase of the extended warranty.

Reliable | Efficient | Innovative

What can we do for you?



BEKO TECHNOLOGIES CORP.
900 Great Southwest Pkwy SW
Atlanta, GA 30336
USA
Phone +1 (404) 924-6900
www.bekousa.com

