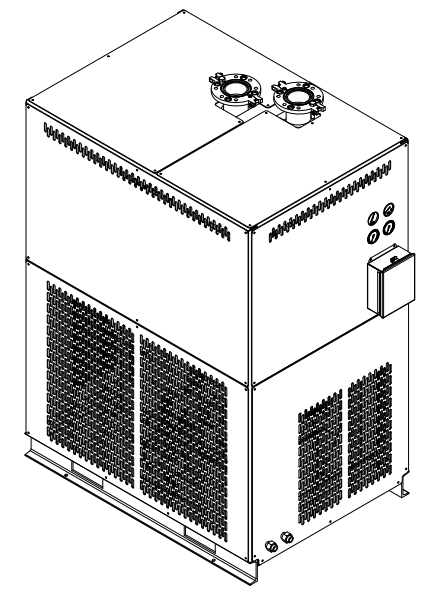
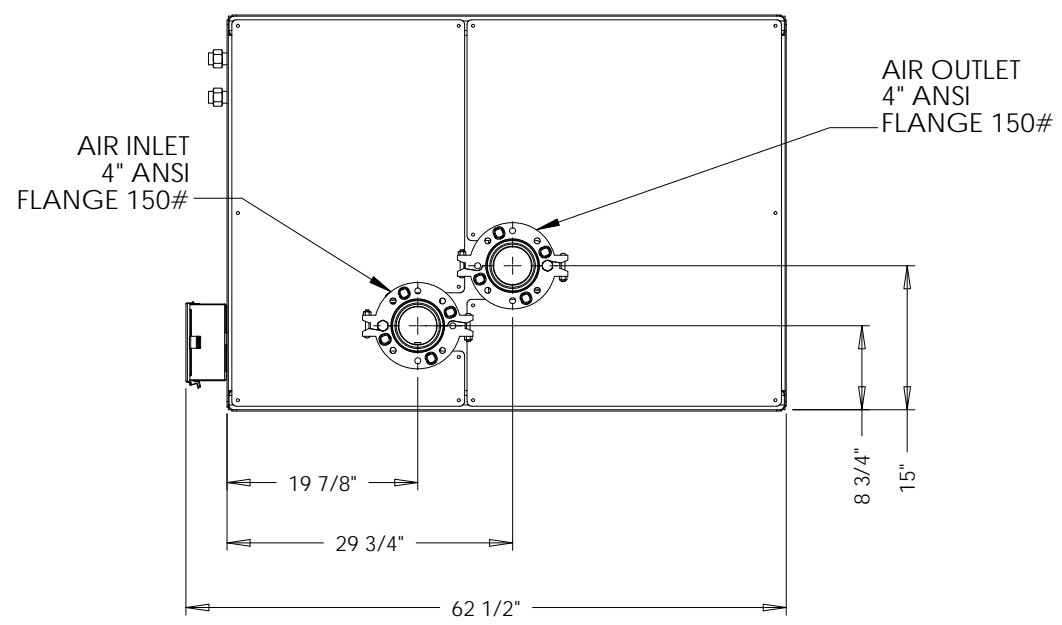
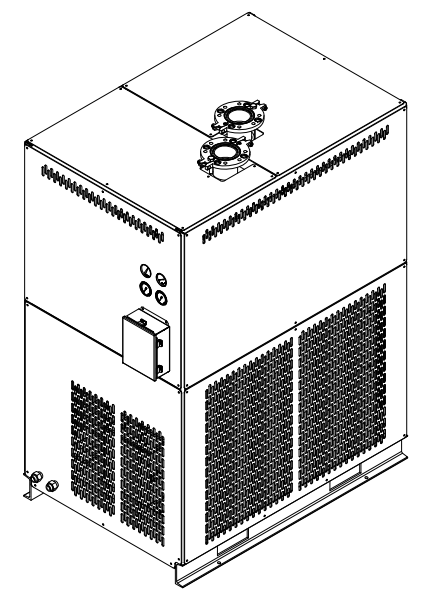


8 7 6 5 4 3 2 1

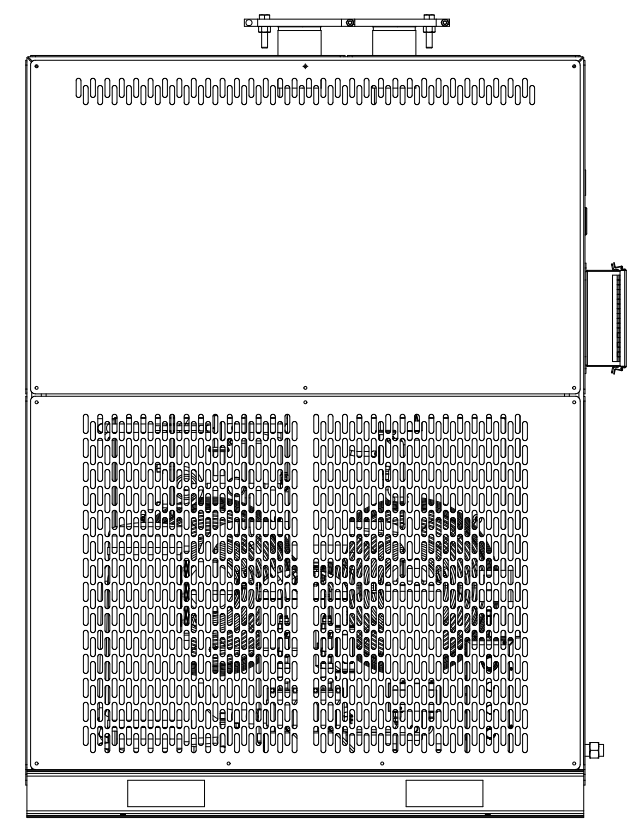
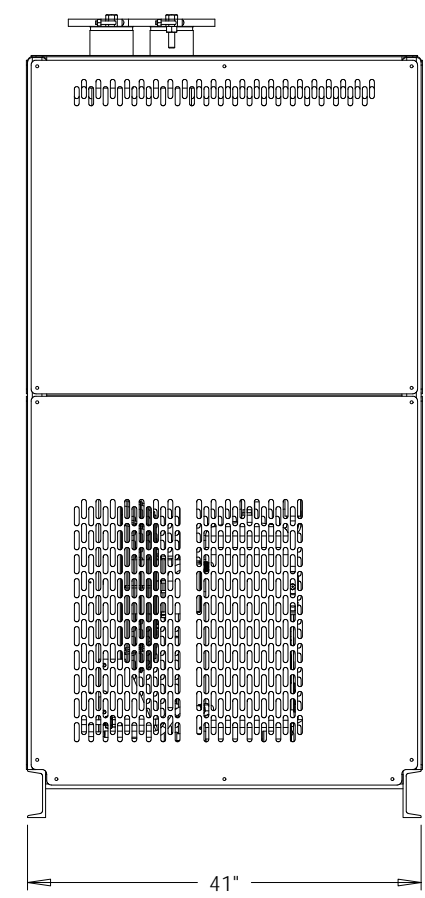
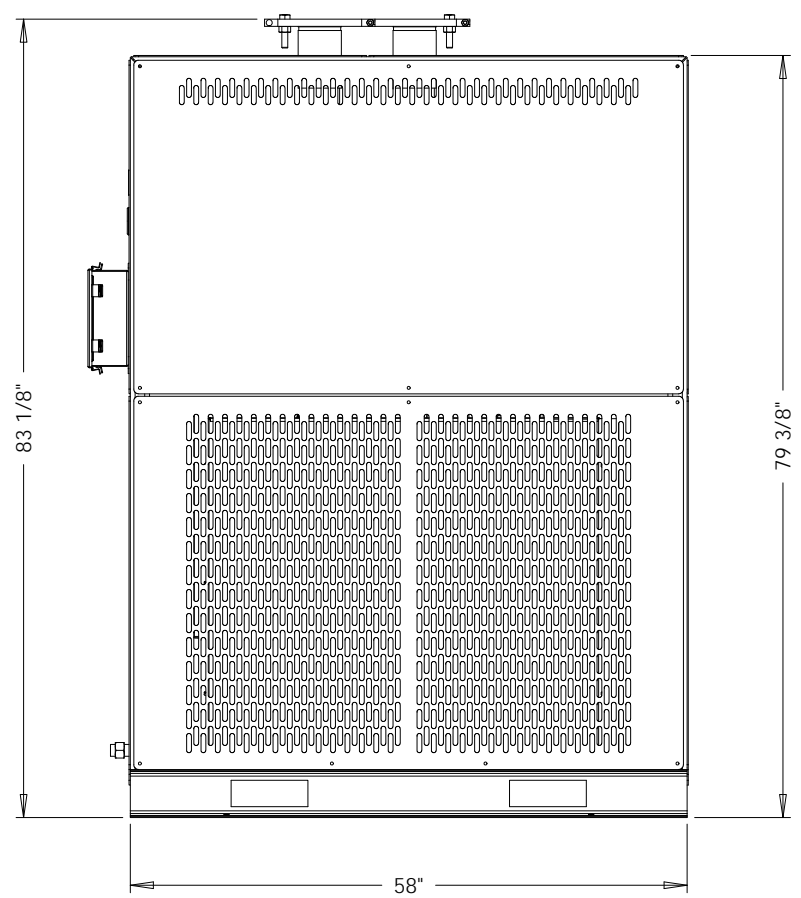
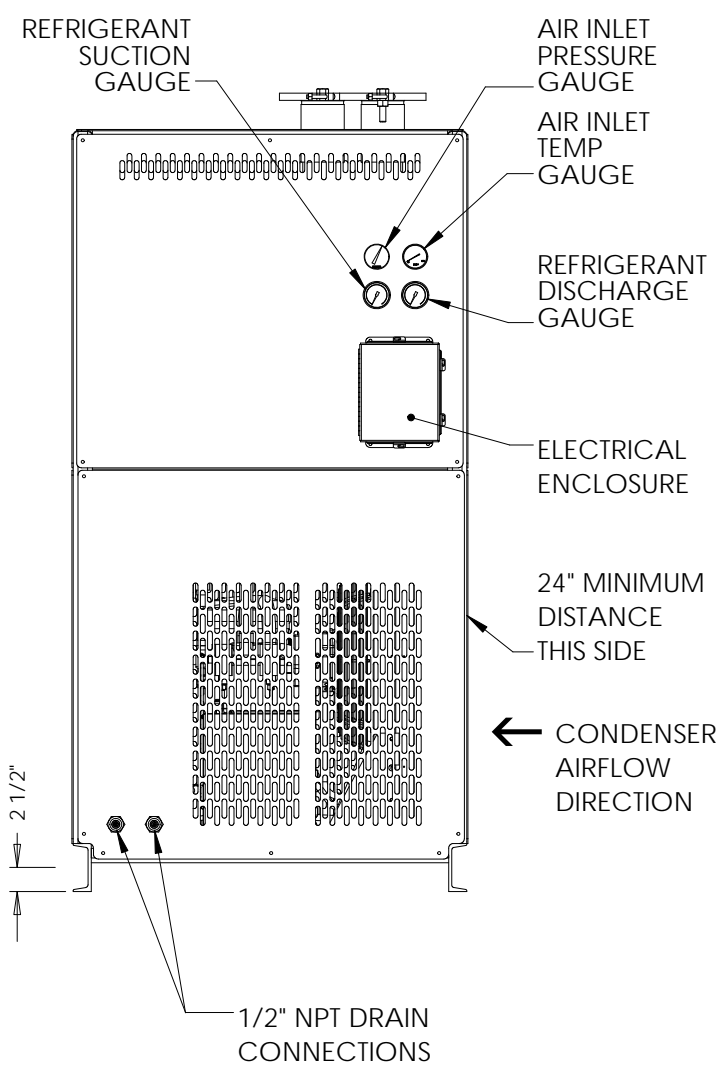
D

D



C

C



B

B

A

A

UNLESS OTHERWISE SPECIFIED:
DIMENSIONS ARE IN INCHES
TOLERANCES:
FRACTIONAL ± 0.125
ANGULAR: ± 0.5°
TWO PLACE DECIMAL ± .03
THREE PLACE DECIMAL ± .003

THIRD ANGLE PROJECTION

MATERIAL

FINISH

DO NOT SCALE DRAWING

| | NAME | DATE |
|-----------|------|----------|
| DRAWN | BH | 05/08/17 |
| CHECKED | JJ | 05/08/17 |
| ENG APPR. | | |
| MFG APPR. | | |
| Q.A. | | |
| COMMENTS: | | |

Aircel COMPRESSED AIR AND GAS PRODUCTS
323 CRISP CIRCLE
MARYVILLE TENNESSEE 37801
PHONE: 865-681-7066
FAX: 865-681-7069

TITLE:
VF-1600, REFRIGERATED
AIR DRYER, 1600 SCFM,
100 PSIG, 100F

| SIZE | DWG. NO. | REV |
|------------|-----------|--------------|
| B | AG3024001 | 0 |
| SCALE: 1:1 | WEIGHT: | SHEET 1 OF 1 |

PROPRIETARY AND CONFIDENTIAL
THE INFORMATION CONTAINED IN THIS DRAWING IS THE SOLE PROPERTY OF
AIRCEL LLC. ANY REPRODUCTION IN PART OR AS A WHOLE WITHOUT THE
WRITTEN PERMISSION OF AIRCEL LLC IS PROHIBITED.

8 7 6 5 4 3 2 1