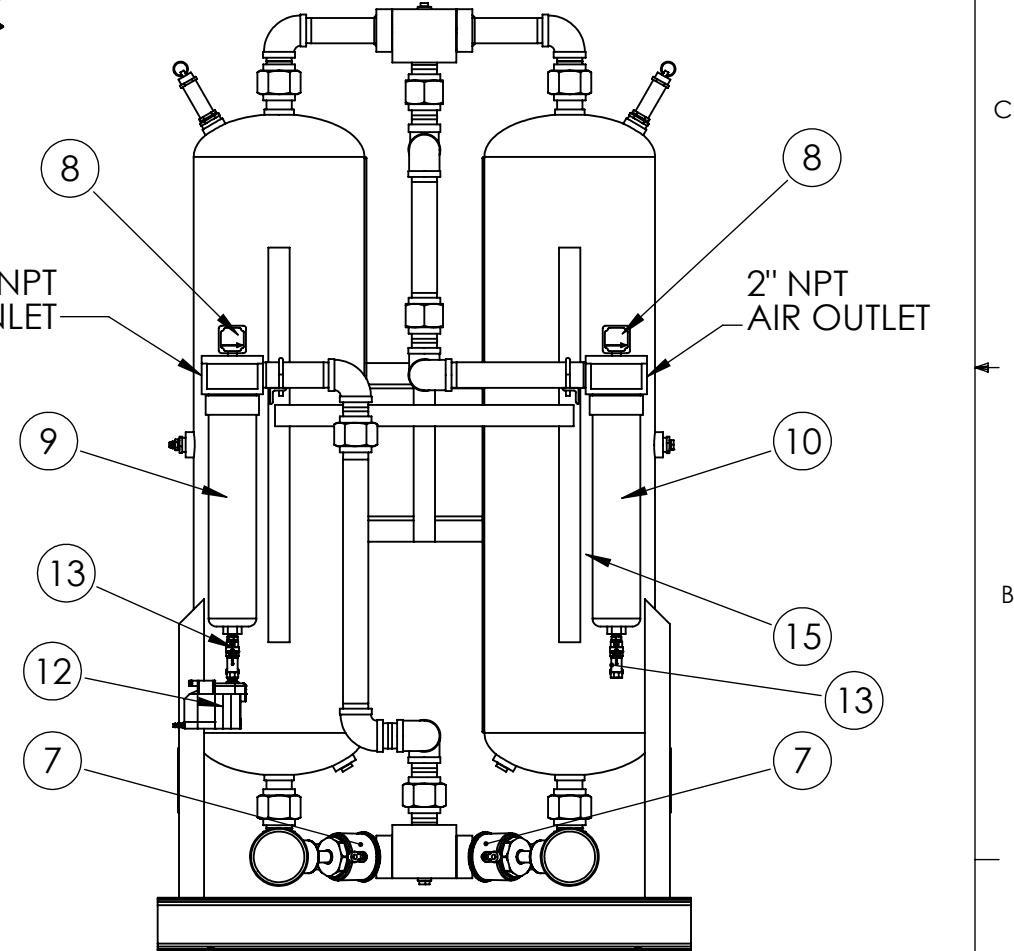


ITEM NO.	QTY.	STOCK #	Description
1	4	AG3289901	SCREEN ASSY, 2" NPT
2	2	AG3482377	VALVE, SAFETY RELIEF, 1"
3	2	AG3935114	DIFFUSER SCREEN, VESSEL DESSICANT BED
4	2	AG3933854	VALVE, SHUTTLE
5	2	AG3480089	GAUGE, PRESSURE, 0-200 PSIG
6	1	AG3935154	ELEMENT, PARTICULATE, F/PILOT AIR FILTER
7	2	AG3934929	VALVE, ANGLE BODY, 2" BRNZ, NC
8	2	AG3940710	DIFFERENTIAL PRESSURE GAUGE
9	1	AG3488012	ELEMENT, COALESCING
10	1	AG3488011	ELEMENT, PARTICULATE
11	1	AG1230201	THREADED PIPE NIPPLE, BRASS CLOSE 1/2"
12	1	AG3939988	CONDENSATE DRAIN
13	2	AG3942303	VALVE, 1/2" FPT, BALL-Y-STRAINER COMBO
14	2	AG3934192	MUFFLER, 2.0"
15	612 LBS	AG3319301	DESICCANT, ACTIVATED ALUMINA
16	1	AG3234801	REGULATOR, 1/4" NPT



UNLESS OTHERWISE SPECIFIED:  
 DIMENSIONS ARE IN INCHES  
 TOLERANCES:  
 FRACTIONAL ± 0.125  
 ANGULAR: ± 0.5°  
 TWO PLACE DECIMAL ± .03  
 THREE PLACE DECIMAL ± .003

THIRD ANGLE PROJECTION

MATERIAL

FINISH

DO NOT SCALE DRAWING

	NAME	DATE
DRAWN	BH	7/7/15
CHECKED	MS	7/7/15
ENG APPR.		
MFG APPR.		
Q.A.		
COMMENTS:		

**Aircel** COMPRESSED AIR AND GAS PRODUCTS  
 323 CRISP CIRCLE  
 MARYVILLE TENNESSEE 37801  
 PHONE: 865-681-7066  
 FAX: 865-681-7069

TITLE: DRYER, DESICC, AHLD-500, PACK B, 1 PRE & AFTER FILTER, MECHANICAL SPARE PARTS

SIZE DWG. NO. **B** AG9933340-B SPARE PTS

SCALE: 1:50 WEIGHT: SHEET 1 OF 1

**PROPRIETARY AND CONFIDENTIAL**  
 THE INFORMATION CONTAINED IN THIS DRAWING IS THE SOLE PROPERTY OF AIRCEL LLC. ANY REPRODUCTION IN PART OR AS A WHOLE WITHOUT THE WRITTEN PERMISSION OF AIRCEL LLC IS PROHIBITED.