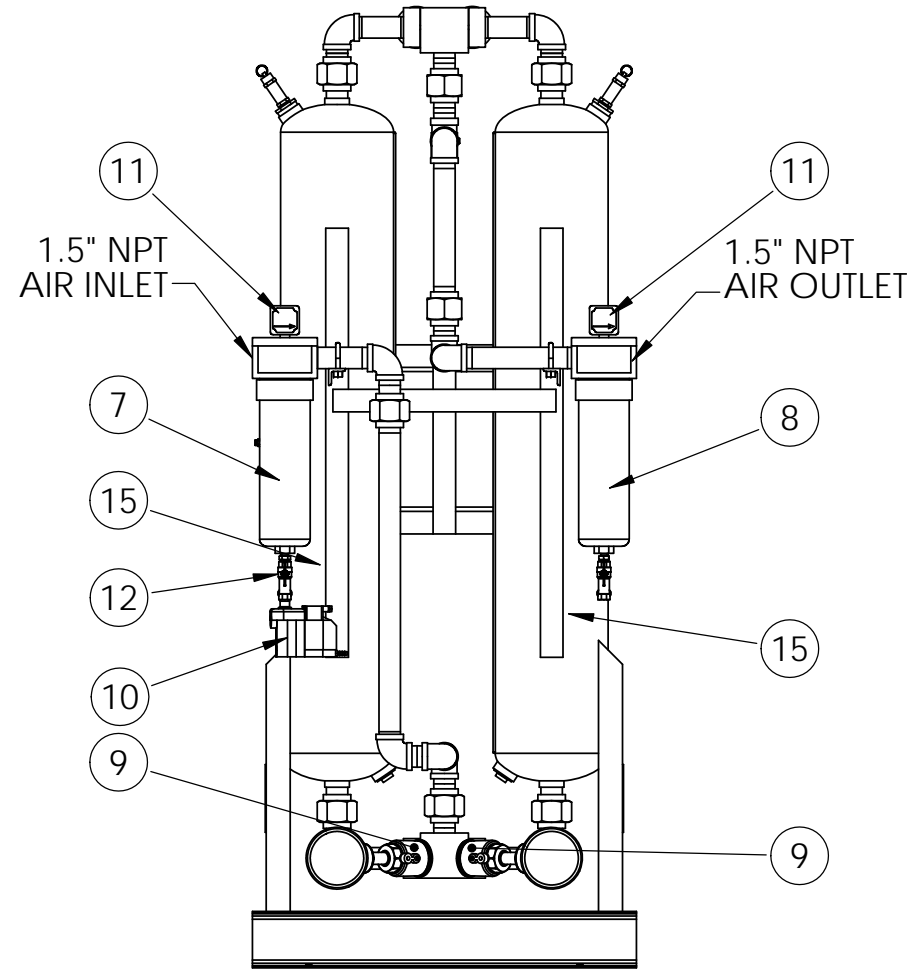


ITEM NO.	QTY.	STOCK #	Description
1	4	AG3289801	SCREEN ASSY, 1.5" NPT
2	2	AG3482444	VALVE, SAFETY RELIEF, 1/2"
3	2	AG3935114	DIFFUSER SCREEN, VESSEL DESSICANT BED
4	2	AG3933846	VALVE, SHUTTLE, 1.5"
5	2	AG3480089	GAUGE, PRESSURE, 0-200 PSIG
6	1	AG3935154	ELEMENT, PARTICULATE, F/PILOT AIR FILTER
7	1	AG3487812	ELEMENT, COALESCING
8	1	AG3487811	ELEMENT, PARTICULATE
9	2	AG3934927	VALVE, ANGLE BODY, 1-1/2"NPT
10	1	AG3939988	CONDENSATE DRAIN
11	2	AG3940710	DIFFERENTIAL PRESSURE GAUGE
12	2	AG3942303	VALVE, 1/2" FPT, BALL-Y-STRAINER COMBO
13	2	AG3934191	MUFFLER, 1.5"
14	1	AG3234801	REGULATOR, 1/4" NPT
15	240 LBS	AG3319301	DESICCANT, ACTIVATED ALUMINA



UNLESS OTHERWISE SPECIFIED:		NAME	DATE	<p>COMPRESSED AIR AND GAS PRODUCTS 323 CRISP CIRCLE MARYVILLE TENNESSEE 37801 PHONE: 865-681-7066 FAX: 865-681-7069</p>	
DIMENSIONS ARE IN INCHES		DRAWN	BH		7/7/15
TOLERANCES:		CHECKED	MS		7/7/15
FRACTIONAL ± 0.125		ENG APPR.			
ANGULAR: ± 0.5°		MFG APPR.			
TWO PLACE DECIMAL ± .03		Q.A.			
THREE PLACE DECIMAL ± .003		COMMENTS:			
<p>THIRD ANGLE PROJECTION</p>					
MATERIAL					
FINISH					
DO NOT SCALE DRAWING					
TITLE:				<p>DRYER, DESICC, AHLD-250, PACK B, 1 PRE & AFTER FILTER, MECHANICAL SPARE PART</p>	
SIZE		DWG. NO.			
B		AG9932940-B SPARE PTS			
SCALE: 1:20		WEIGHT:		SHEET 1 OF 1	

PROPRIETARY AND CONFIDENTIAL
THE INFORMATION CONTAINED IN THIS DRAWING IS THE SOLE PROPERTY OF AIRCEL LLC. ANY REPRODUCTION IN PART OR AS A WHOLE WITHOUT THE WRITTEN PERMISSION OF AIRCEL LLC IS PROHIBITED.