



Shown: 30 Gallon*
14HP

CONTRACTOR ▶



AIR COMPRESSOR



GENERATOR

Get Rugged Air and AC Power in a Single Transportable Unit!

Rugged, dependable, and easily transportable, the Vanair's Contractor provides you with 20 CFM of air power and 5 kW of peak AC generator power for all your tough job site needs. Available with a control panel on the unit with two outlets or a remote mountable control panel for easy access.

SPECIFICATIONS	
Engine	14 HP Kohler® or 19 HP Kohler®
Compressor Type	Reciprocating
Generator Wattage	4.2 kW Continuous 120V/240V
Maximum Rated PSI	150 PSI
CFM Rating	20 CFM
Air Storage Capacity	10 Gal., 30 Gal., or Skid
Drive System	Dual V-Belt
Fuel Capacity (Gal.)	Kohler® 14 1.9 Kohler® 19 4.5 or 11

CONTRACTOR™ Unit Dimensions with fittings (In.):
 51L x 21W x 28H - 10 Gal. Kohler® 14 HP
 51L x 20W x 38H - 30 Gal. Kohler® 14 HP
 51L x 19W x 22H - Skid Mount Kohler® 14 HP
 Dry Weight (Lbs.): 425-550 Depending on Platform

49L x 22W x 41H - 30 Gal. Kohler® 19 HP
 48L x 20W x 25H - Skid Mount Kohler® 19 HP

CONTRACTOR

PERFORMANCE/FEATURES

- Auto Throttle Control on Air Compressor
- Reliable and Easy Starting Kohler® Engines
- Drive System Heavy Duty Belt Drive System for Anti-Vibration and Long Service Intervals
- Totally Self Contained, but can be Integrated with the Chassis for Maximum Versatility
- Integrated Lift Hook and Battery Tray
- Designed for Easy Maintenance and Fuel Efficiency
- Powder Coated Sheet Metal
- Galvannealed Steel

OPTIONS/ACCESSORIES

- Remote Condensation Drain
- Cold Weather Kit
- Maintenance Kit
- Remote Mount Control Panel (Kohler® 19 Only)
- Electric Fuel Pump (Kohler® 19 Only)
- Slimline 11 Gal. Fuel Tank (Kohler® 19 Only)
- Remote Air Tank Options
- Dry Cell Battery
- Hose Reels
- GFCI Outlet for Protection of 120V/240V

AIR COMPRESSOR

- Reciprocating compressor
- 20 CFM
- 150 PSI Maximum
- Cast Iron Air Pump With (3 Cylinder Head Design For Better Cooling)

GENERATOR

- 4.2 kW Continuous @ 60 Hz
- Independent AC Power for Safe Multi-Functioning
- Brushless
- Smooth Wave Power with Minimal Distortion

ENGINE

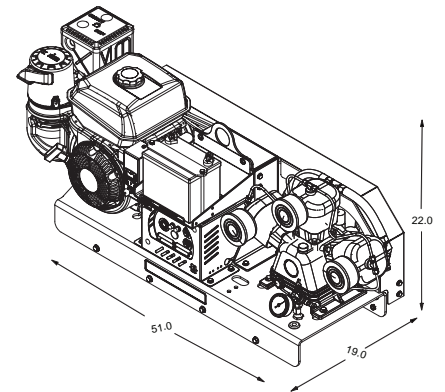
- 14 HP Kohler® or 19 HP Kohler®
- Electric Start
- 1.9, 4.5 or 11 Gal. Fuel Tank

AVAILABLE IN

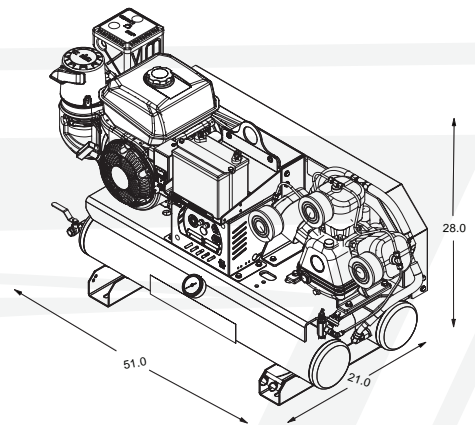
- 10 Gallon, 30 Gallon or Remote Tank

REMOTE CONTROL PANEL (OPTIONAL FOR 19 HP KOHLER® ONLY)

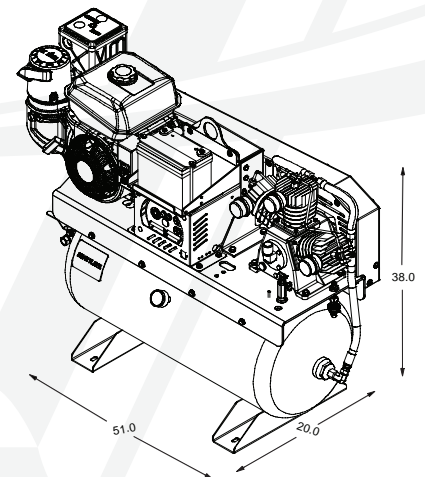
- Provides Ultimate user Convenience and Safety
- All Functions Accessible at Remote Panel. No Need to Jump in and out of Vehicle to Control Function



SKID MOUNT 14HP VERSION



10 GALLON, 14HP VERSION



30 GALLON, 14HP VERSION

Vanair reserves the right to make changes in engineering, design, and specifications; add improvements; or discontinue manufacturing at any time without notice or obligation. Vanair, the Vanair logo and MOBILE POWER SOLUTIONS are registered trademarks or trademarks of Vanair Manufacturing, Inc., Michigan City, IN, USA. © 2021 All Rights Reserved.



VANAIR
MOBILE POWER SOLUTIONS

800.526.8817 | vanair.com

10896 West 300 North | Michigan City, Indiana 46360 USA



CONTRACTOR_07142021_NML