

Dry Pak *PRO* Duo

The New Portable Duo Dryer Air Package

The Dry Pak Duo was design that came from the common question we hear, “ Can I get the air even dryer?”. The answer is Yes! The Dry Pak Duo has the same components as the Blast Pak PRO, but with another drying level. This unit was designed for applications that require lower dew points than what our Dry-O-Lite desiccant can provide. Using two deliquescent dryer vessels in a series enables you to achieve a lower dew point. By using Dry-O-Lite desiccant in the first dryer vessel it will knock out a majority of the moisture. This pre-dryer will also reduce the consumption of 10BF which is in the second dryer. At 100PSIG and inlet temperatures up to 250°F, the Dry Pak Pro Duo can achieve pressure dewpoints down to 29°F using 10BF desiccant.

Along with the two dryer vessels the Dry Pak Duo also includes an aftercooler with air motor, and two F200 series filters. The Dry Pak Pro Duo has no power requirements and can be used anywhere. It has the ability to achieve lower dew points than refrigerated dryers and will not waste away electricity. This low cost system is perfect for small jobs that require super dry air. Larger vessel sizes are available upon request.

The Dry Pak *PRO* DUO is ideal for

- Painting and sandblasting
- Shipbuilding
- Protecting air tools
- Instrument air

FEATURES

Air-cooled aftercooler
with air motor

50 SCFM Max Flow Rating

No Moving Parts

Low Dewpoint



*Please note DryPak *PRO* Duo skid is white

BENEFITS OF THE Dry Pak *PRO* DUO

Compact // Portable // Low Dew Point

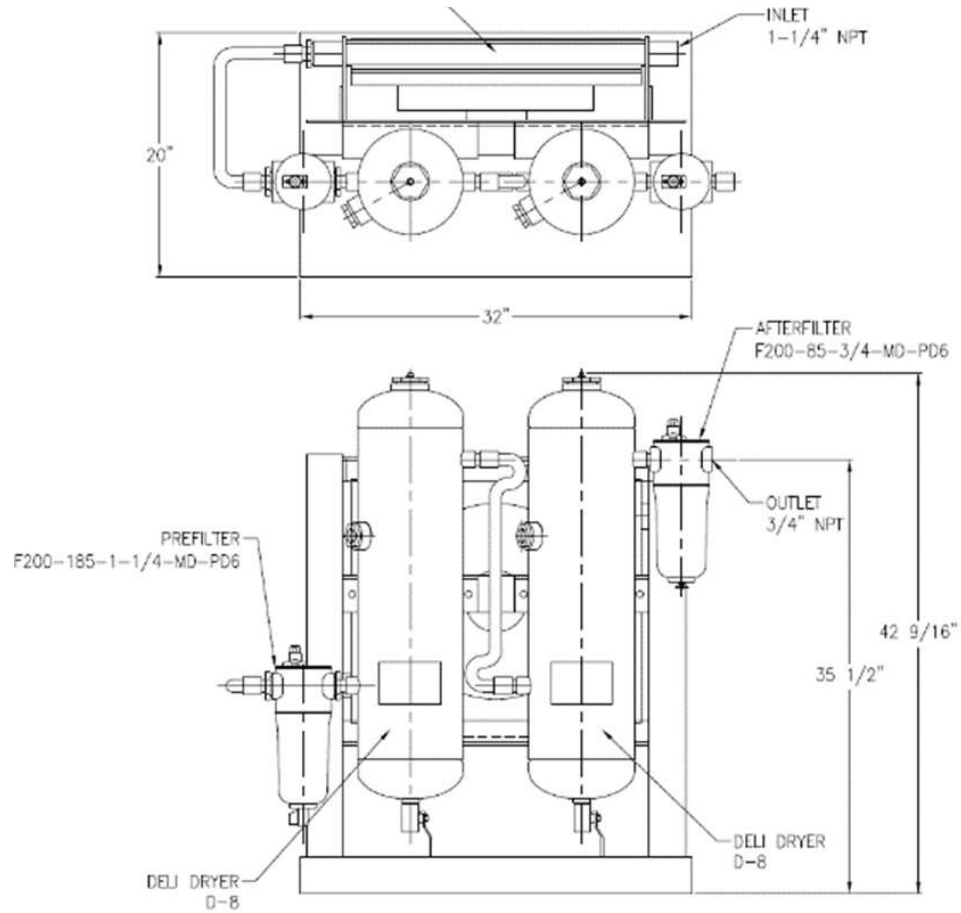
vanairsystems.com

STANDARD EQUIPMENT

- Air-cooled aftercooler with Air Motor
- (2) F200 Series Filters
- (2) D8 Deliquescent Dryer Vessels
- Manual Drain Valves
- 50 SCFM Max Flow Rating
- Fork lift Access
- Site window for viewing desiccant levels
- 10 Year Vessel Warranty

DIMENSIONS & SPECIFICATIONS

Model No.	HEIGHT		WIDTH		DEPTH		Air Motor (SCFM)	Inlet Conn. (in)	Outlet Conn.	Flow Rating SCFM	Weight	
	in	cm	in	cm	in	cm					lbs	kg
DPPD-50	43 ¹ / ₁₆	109	30	76	20	51	22	1 1/4" NPT	3/4" NPT	50	350	159



2950 Mechanic Street, Lake City, PA 16423, USA | Toll Free Phone 800-840-9906 | Corporate Fax 814-774-0778 | Order Entry Fax 814-774-3482

Distributed By:





Dry Pak Pro Duo- PDF Downloads

Instruction Manuals

Coming
Soon

Sales Drawings

Coming
Soon