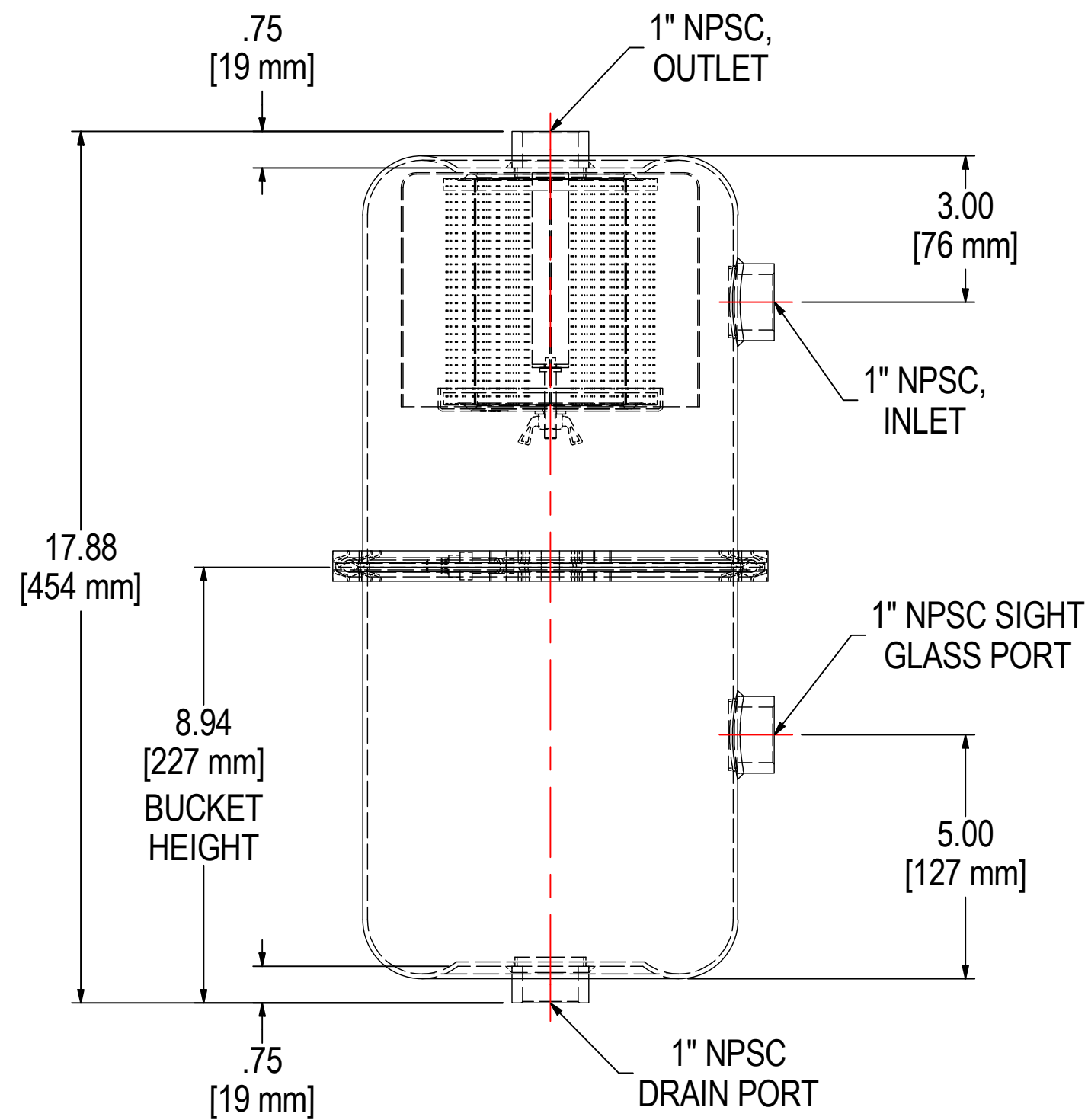
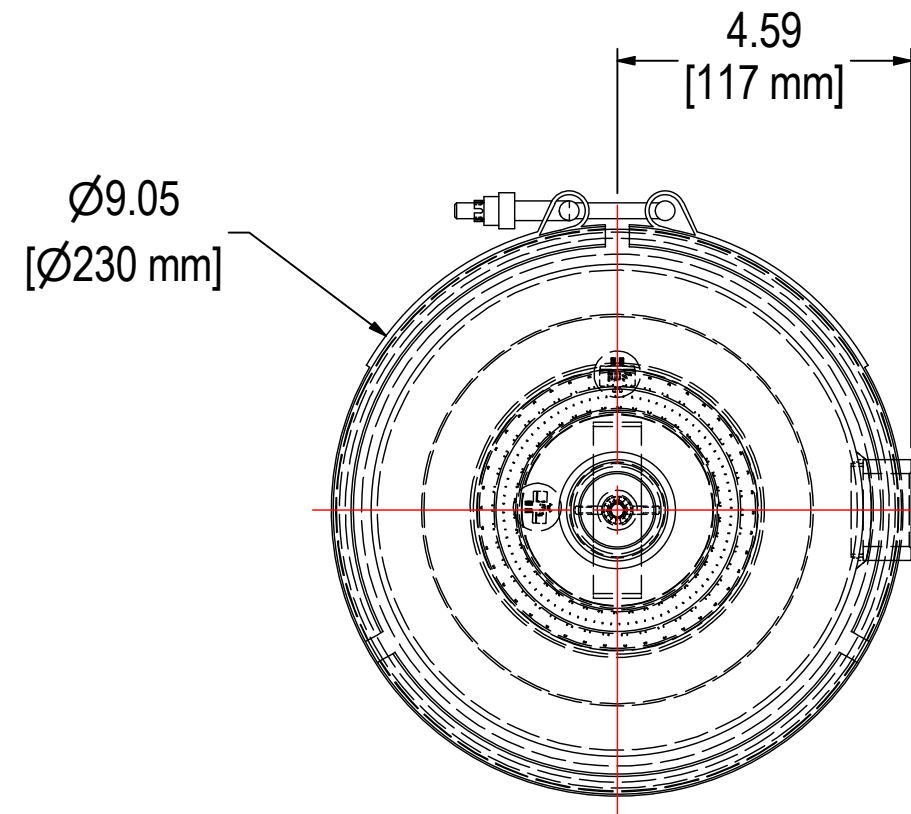


REV	DESCRIPTION	ECN #	CHG BY	DATE	APP'D
A	CHANGED PAINT, WAS +16 BLUE EPOXY	10612	CRW	08/29/17	M.C.
B	UPDATED TO 3D	WEB	NAD	10/21/19	EZR



ELEMENT SPECS		
PART NUMBER	19	
MATERIAL	POLYESTER	
FLOW RATE	100 CFM	170 m <sup>3</sup> /hr
SURFACE AREA	1.4 ft <sup>2</sup>	0.1 m <sup>2</sup>
I.D.	3.00"	76mm
O.D.	4.40"	112mm
HEIGHT	4.81"	122mm

<b>MODEL #:</b> LRS-19-100HC		<b>MATERIAL:</b> CARBON STEEL		<b>FINISH:</b> BLUE POWDER	
<b>MODEL NUMBER:</b> LRS-19-100HC				<b>SHEET:</b> 1 OF 1	
<b>DESCRIPTION:</b> LRS-19-100HC, BLUE POWDER					
<b>PROJECT:</b> SD11391		<b>DRAWN BY:</b> CRW		<b>APPROVED BY:</b> P.G.	
		<b>DATE:</b> 3/31/2004		<b>DATE:</b> 4/5/2004	
				<b>REV:</b> B	

**SOLBERG**  
Filtration • Separation • Silencing  
630.773.1363 • www.solbergmfg.com

THE INFORMATION CONTAINED HEREIN IS CONFIDENTIAL AND THE PROPERTY OF SOLBERG MANUFACTURING INC. AND IT IS FURNISHED TO YOU WITH THE EXPRESS UNDERSTANDING THAT IT WILL NOT BE REPRODUCED, COPIED IN ANY MANNER, LOANED OR OTHERWISE TRANSFERRED TO OTHERS ENTIRELY OR IN PART, NOR USED FOR ANY PURPOSE OTHER THAN FOR WHICH IT WAS FURNISHED. IT WILL BE RETURNED UPON REQUEST TO SOLBERG MANUFACTURING INC. THE ABOVE RESTRICTION IS IN ADDITION TO, AND DOES NOT IN ANY WAY ALTER, ANY OTHER RESTRICTIONS WHICH MAY APPLY TO THE INFORMATION CONTAINED HEREIN.

**TOLERANCES**  
DIMENSIONS ARE FOR REFERENCE ONLY. ALL DIMENSIONS ARE SUBJECT TO CHANGE UPON PRODUCTION.  
UNLESS OTHERWISE SPECIFIED:  
-DIMENSIONS ARE IN INCHES  
-REF: APPROXIMATE DIMENSIONS, NO TOLERANCES APPLY  
-FINISH: BREAK EDGES TO .005-.020 RADIUS/CHAMFER