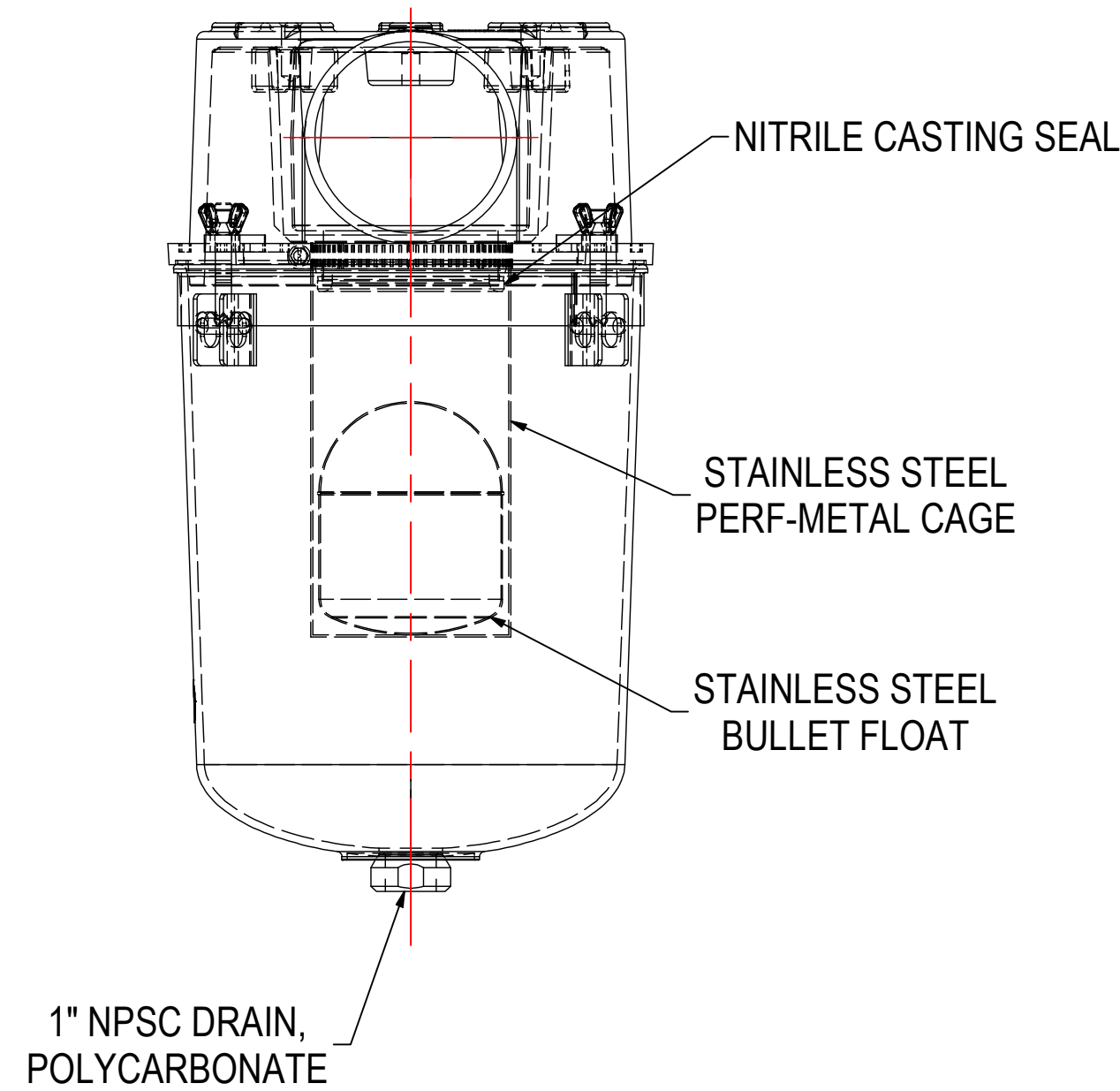
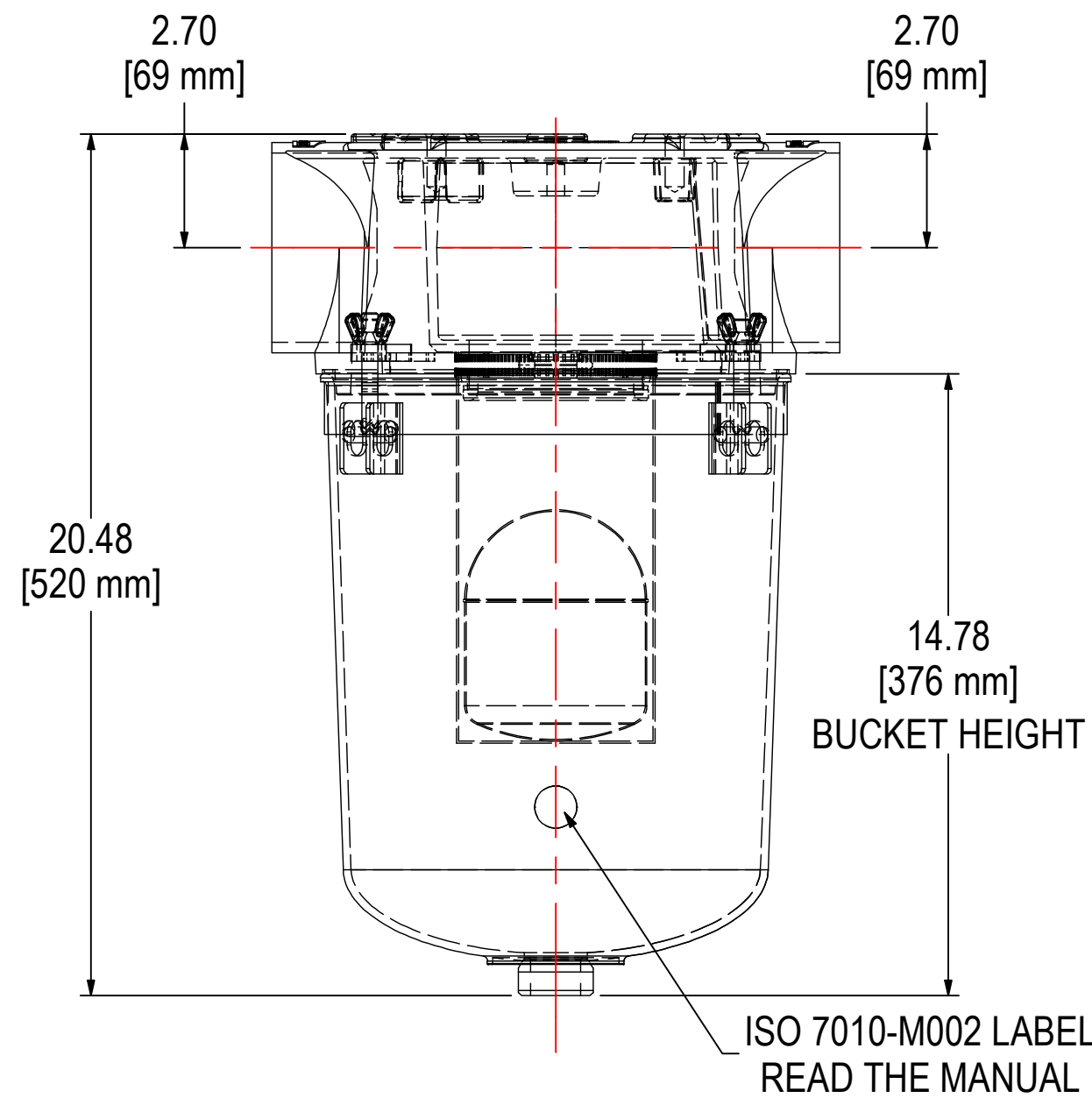
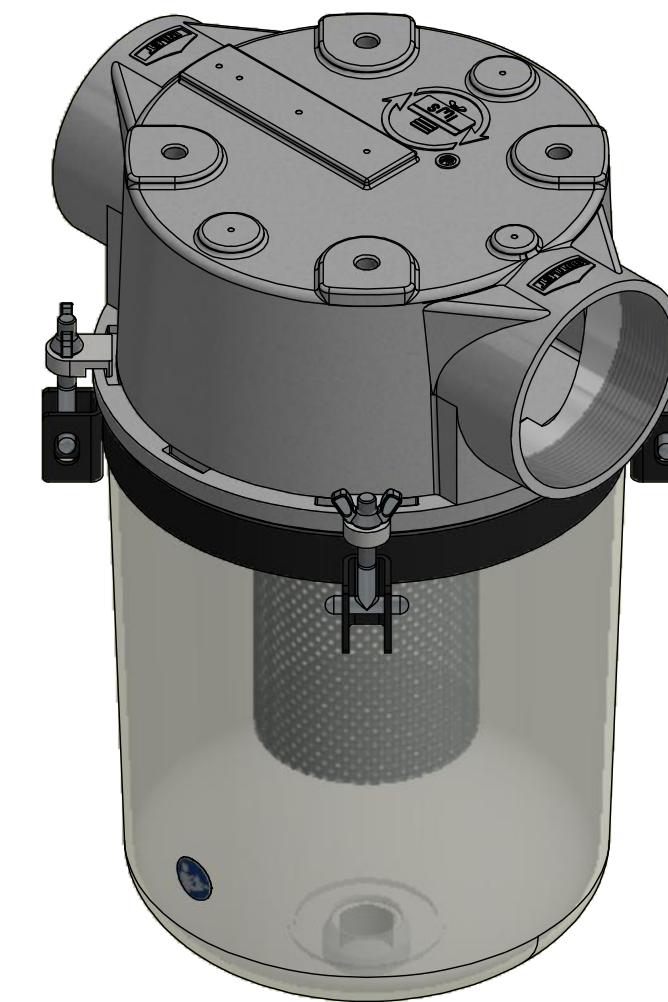
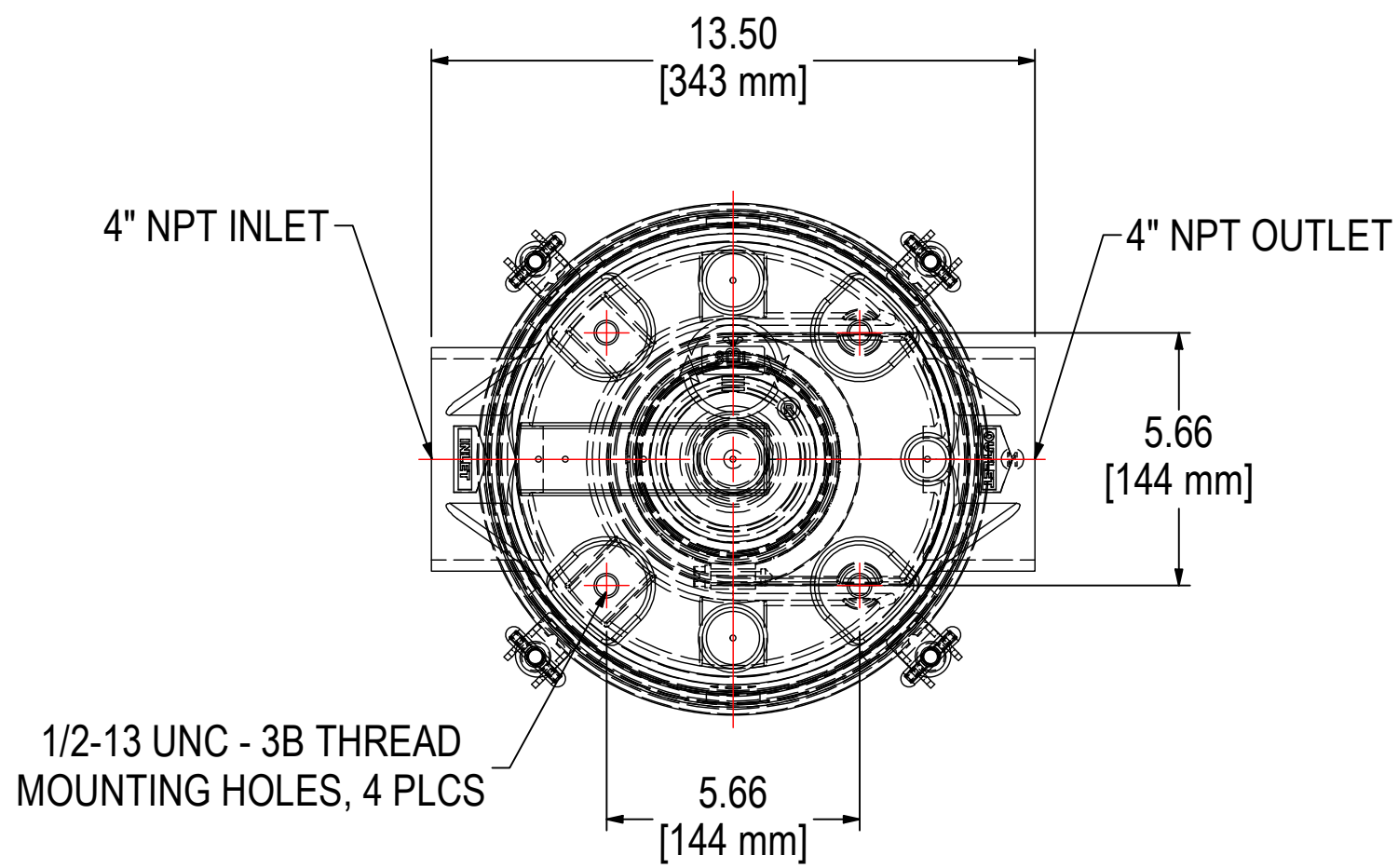


REV	DESCRIPTION	ECN #	CHG BY	DATE	APP'D
A	UPDATED DRAIN, WAS 1/2" BULKHEAD FITTING	14952	EZR	11/20/18	TAS
B	UPDATED HARDWARE, ADDED FLOAT SEAL INSERT	17082	JEB	09/02/19	TAS
C	UPDATED BUCKET DRAIN MATERIAL, WAS 316 SS	21414	TAS	03/09/21	EZR
D	REMOVED NOTE	PRJ 682	NAS	03/22/21	EZR



MODEL #: STS-400C	MATERIAL: VARIES	FINISH: VARIES	SHEET: 1 OF 1
MODEL NUMBER: STS-400C		DESCRIPTION: STS-400C, 1" NPSC POLYCARBONATE DRAIN, CLEAR BUCKET	
PROJECT:	DRAWN BY: EZR DATE: 2/18/2014	APPROVED BY: CRW DATE: 2/18/2014	REV: D

THE INFORMATION CONTAINED HEREIN IS CONFIDENTIAL AND THE PROPERTY OF SOLBERG MANUFACTURING INC. AND IT IS FURNISHED TO YOU WITH THE EXPRESS UNDERSTANDING THAT IT WILL NOT BE REPRODUCED, COPIED IN ANY MANNER, LOANED OR OTHERWISE TRANSFERRED TO OTHERS ENTIRELY OR IN PART, NOR USED FOR ANY PURPOSE OTHER THAN FOR WHICH IT WAS FURNISHED. IT WILL BE RETURNED UPON REQUEST TO SOLBERG MANUFACTURING INC. THE ABOVE RESTRICTION IS IN ADDITION TO, AND DOES NOT IN ANY WAY ALTER, ANY OTHER RESTRICTIONS WHICH MAY APPLY TO THE INFORMATION CONTAINED HEREIN.

TOLERANCES

DIMENSIONS ARE FOR REFERENCE ONLY. ALL DIMENSIONS ARE SUBJECT TO CHANGE UPON PRODUCTION.

UNLESS OTHERWISE SPECIFIED:
 -DIMENSIONS ARE IN INCHES
 -REF: APPROXIMATE DIMENSIONS, NO TOLERANCES APPLY
 -FINISH: BREAK EDGES TO .005-.020 RADIUS/CHAMFER