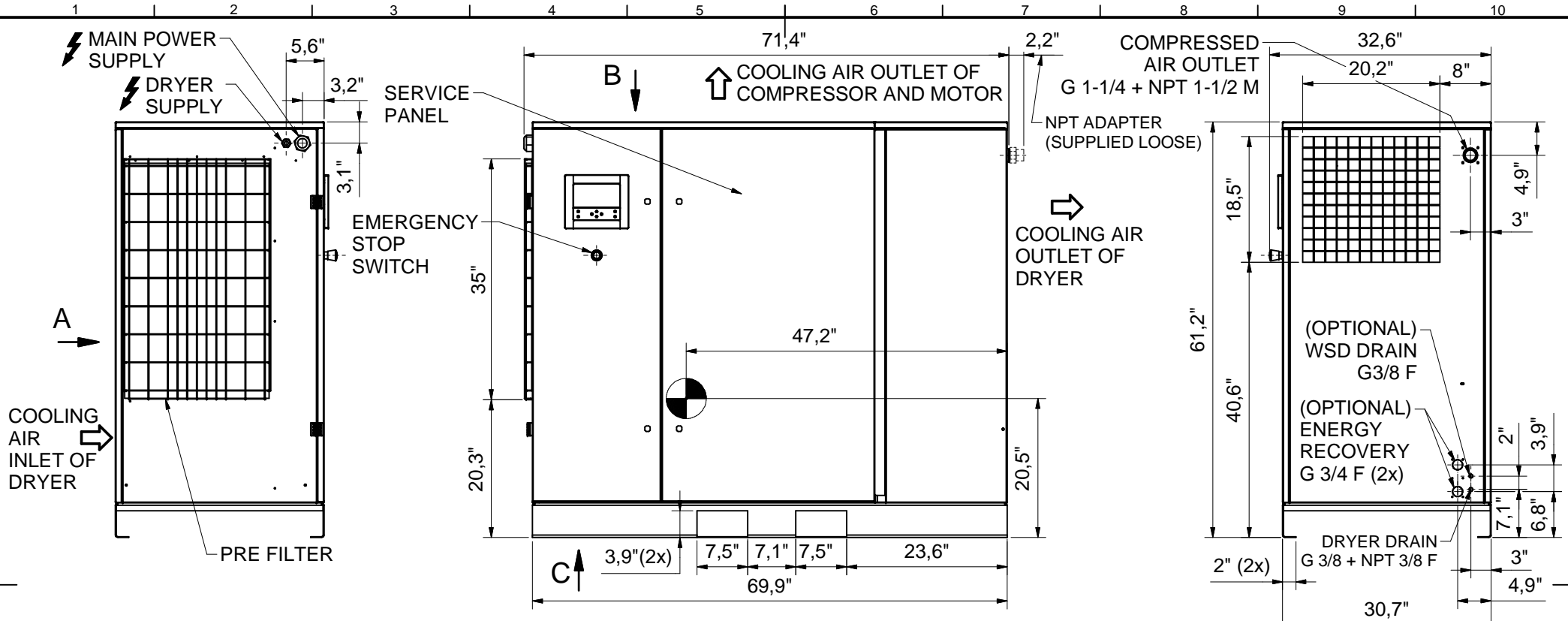
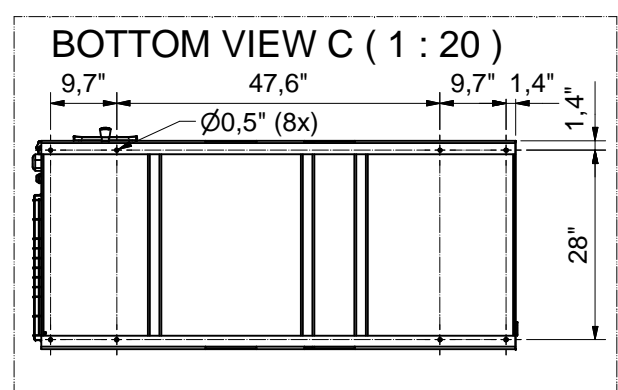


All materials supplied are in compliance with the requirements of the List of Prohibited Substances



**NOTES:**  
 ● - CENTER OF GRAVITY  
 \* - DOOR FULLY OPEN  
 NPT ADAPTERS SUPPLIED LOOSE



Tolerances, if not indicated, according to:										
Name					DIMENSION DRAWING MB C80 30-37 KW DRY - IMPERIAL					Confidentiality Class acc. to 1102 K
Material					Not Applicable					Confidential
Treatment					Not Applicable					INV
Scale			1 : 15		Family		Compare		Drawing owner	
Drawn by			INEapas		Blank nr.		Replaces		CAI	
Drawing format			Blank wt		Kg		Fini wt.		Designation	
Des checked.			A3		Prod checked.		Approved.		Date	
									10/03/2015	
STATUS					Approved					Sheet 1 / 1
					9828083165					

CONFIDENTIAL: This document is our property and shall not without our permission be altered, copied, used for manufacturing or communicated to any other person or company.

00			01/10/2015		9828083165	00
Ed	Position	Modified from	Date	Intr./Appd.	Parent 3D model	Edition 3D