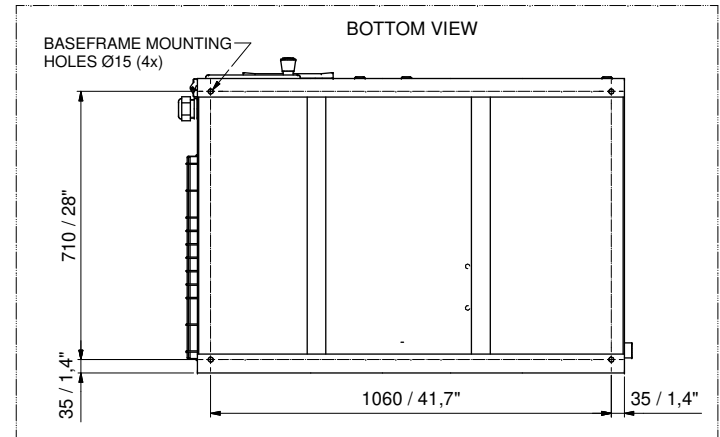
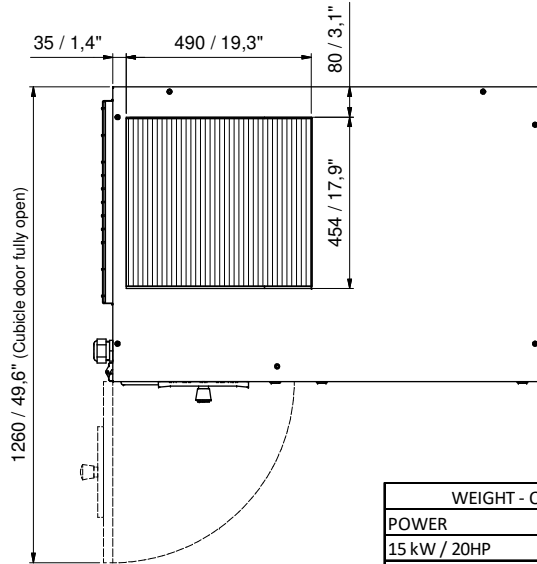
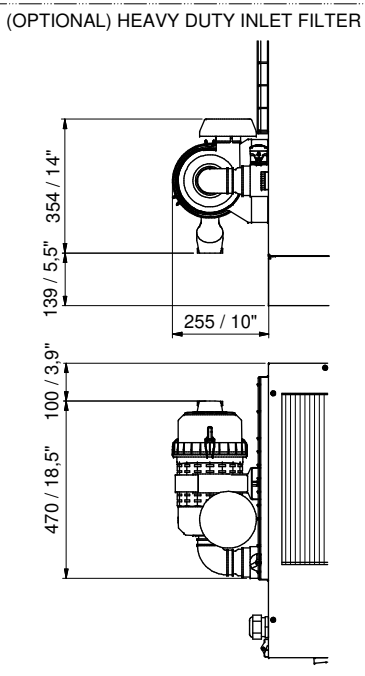
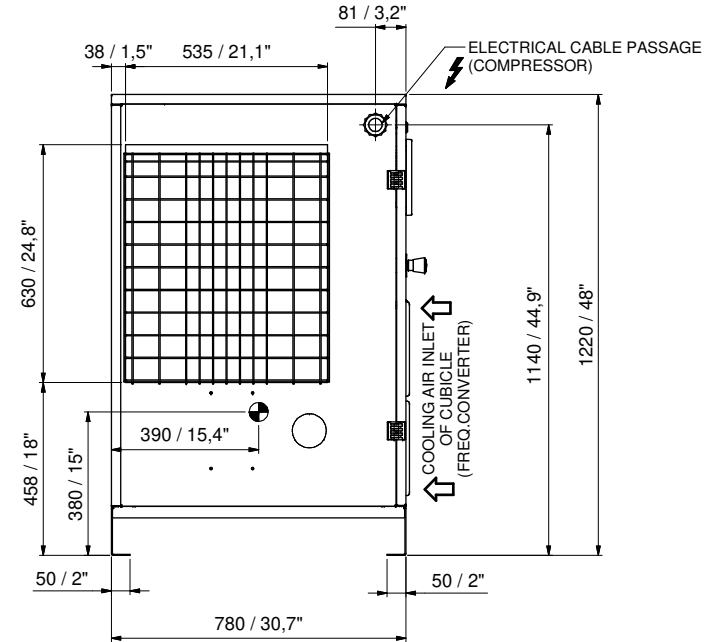
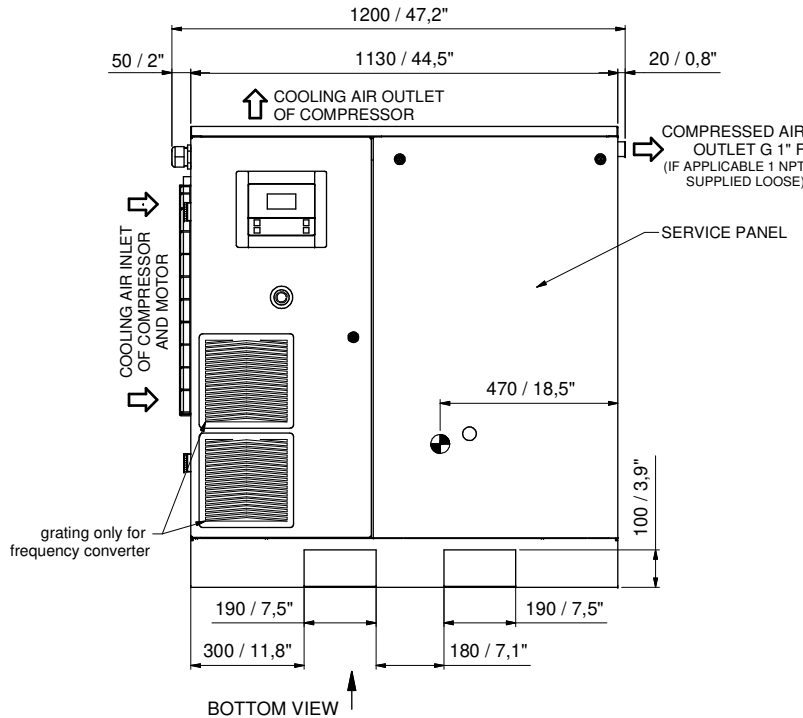
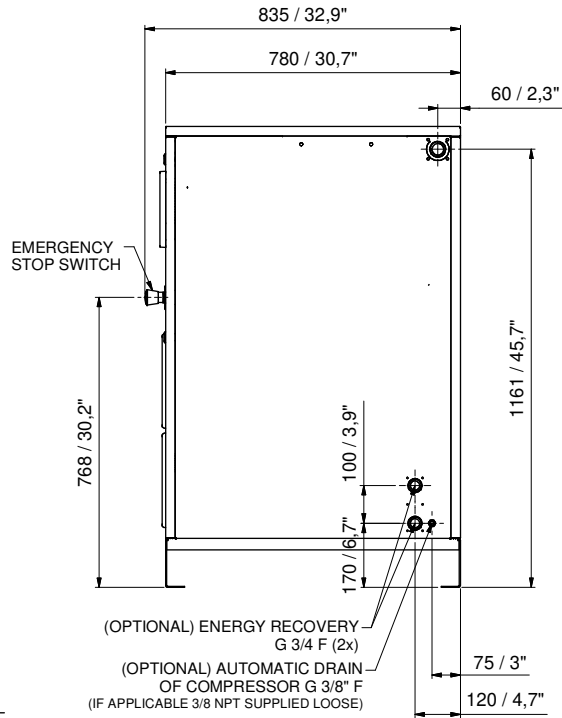


All materials supplied are in compliance with the requirements of the List of Prohibited Substances



Notes:
 ● - Center of gravity
 Dimensions metric (mm) / imperial (inches)
 Dimension tolerances ± 10 / 0,4" Weight tolerances ± 10 kg / 22lbs

WEIGHT - OIL INCLUDED kg (lbs)		
POWER	Gear	Direct
15 kW / 20HP	330 (728)	310 (683)
18,5 kW / 25 HP	355 (783)	325 (717)
22 kW / 30 HP	370 (816)	330 (728)
36 kW / 35 HP	385 (849)	350 (772)

Tolerances, if not indicated, according to:							
Name	DIMENSION DRAWING C67 GD-DD PACK FM A2		Confidentiality Class acc. to 1102 K				
Material	Not Applicable		Confidential				
Treatment	Not Applicable		INV				
Scale	1 : 10	Family	BP C67 GD-DD	Compare		Drawing Owner	Transferred from
Drawn by	caisgraser	Blank nr.		Replaces		CAI	
Drawing format	A2	Kg	Fini wt.	N/A	Designation		Sheet 1 / 1
STATUS	Des checked.	Prod checked.	Approved.	Date	28/09/2018	9828083754	

CONFIDENTIAL: This document is our property and shall not without our permission be altered, copied, used for manufacturing or communication to any other person or company.

01	Updated views with options - CID 27407/14-10-19 - DN 19062561	15/10/2019	sgraser
Ed	Position Modified from	Date	Intr./Appd.

9828083747	
Parent 3D model	Ed. Version 3D