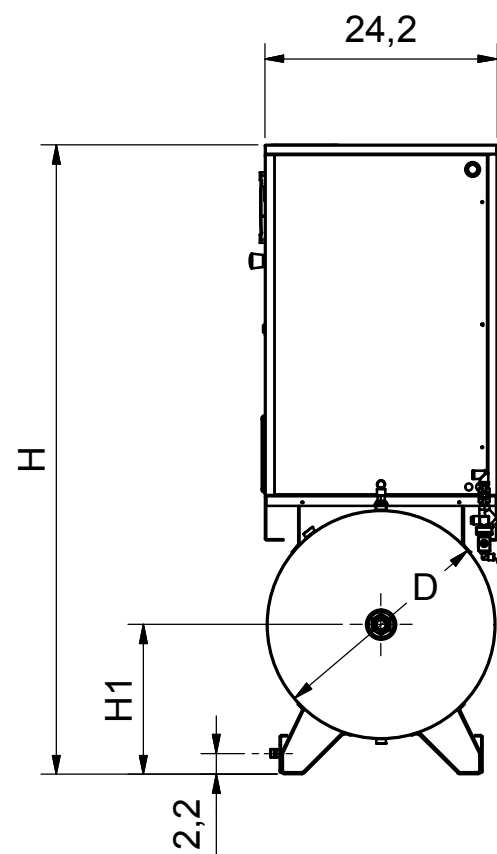


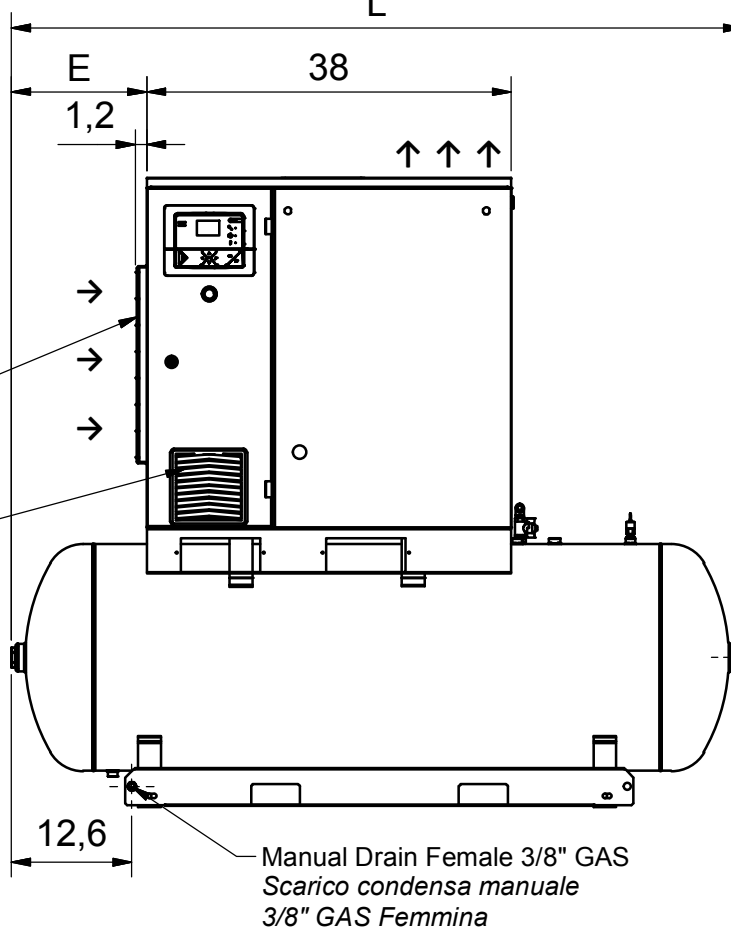
All materials supplied are in compliance with the requirements of the List of Prohibited Substances



Automatic Drain Pipe 10x8
Scarico condensa automatico
Tubo 10x8

Cooling Air Inlet
Entrata Aria di raffreddamento

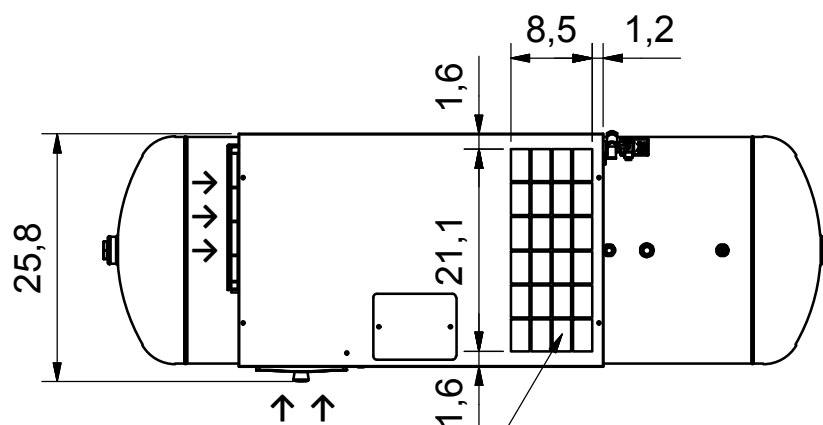
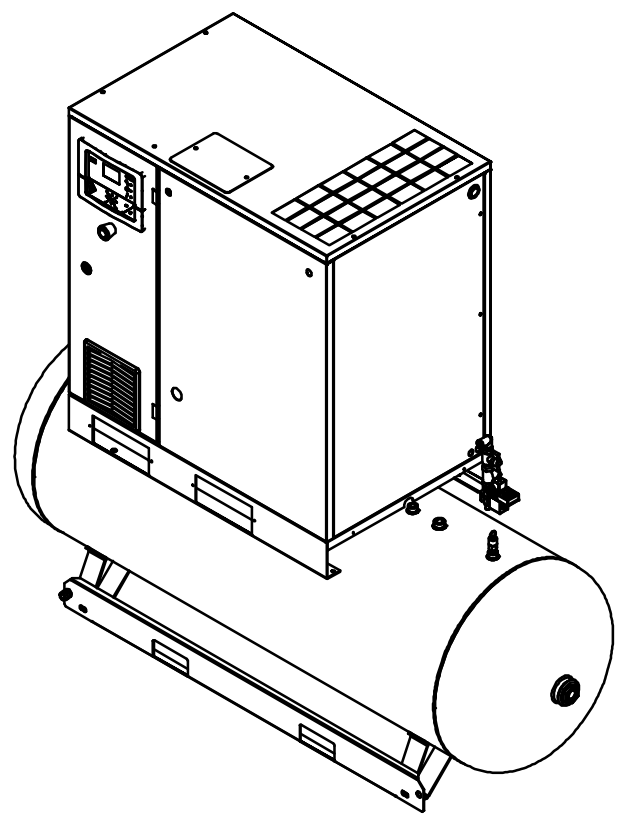
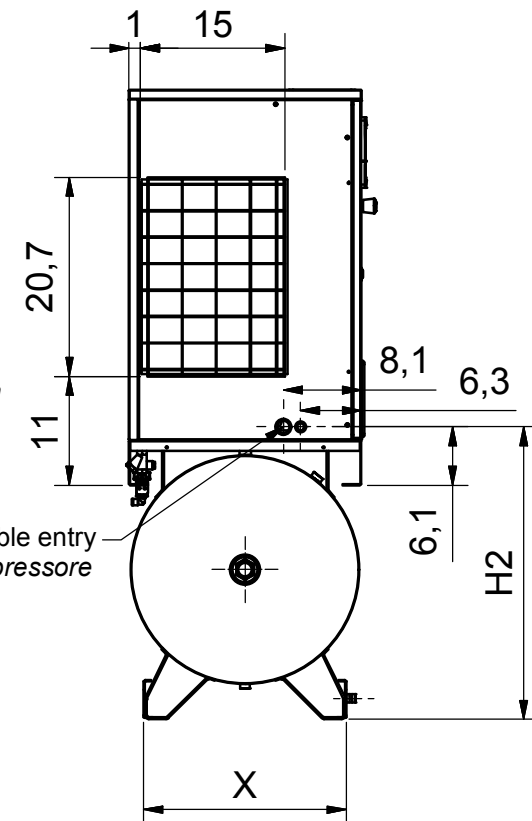
Cooling IVR Air Inlet
Entrata Aria di raffreddamento
IVR



Manual Drain Female 3/8" GAS
Scarico condensa manuale
3/8" GAS Femmina

Air delivery Female 3/4" GAS
Mandata Aria 3/4" GAS Femmina

Electrical Compressor cable entry
Entrata cavi elettrici compressore



Cooling Air Outlet
Uscita Aria di raffreddamento

10-15-20 Hp - IVR ASSEMBLY

Imperial dimension (in)

TYPE	L	D	E	X	H	H1	H2
Vessel 500L	76,2	23,6	14,2	21,1	65,6	15,6	30,5
Vessel 270L	60,4	19,7	10,8	18,3	60,4	12,4	25,4

Tolerances, if not indicated, according to:

Name	DIM.DRW C55DD TM			Confidentiality Class acc. to 1102 K	
Material	Not Applicable			Confidential	
Treatment	Not Applicable			INV	
Scale	1:20	Family	C55*DD	Compare	
Drawn by	caipandrighetto	Blank nr.		Replaces	
Drawing format	A3	Blank wt		Designation	
STATUS	Approved	Prod checked.	Approved.	Date	15/09/2015
				Sheet 1 / 1	
				9828083211	

CONFIDENTIAL

This document is our property and shall not, without our permission, be altered, copied, used for manufacturing or communicated to any other person or company.

01		NO DRAWING MODIFIED. DN 16 0612 01- CID 26026	27/01/2016		9828083211	00
Ed	Position	Modified from	Date	Intr./Appd.	Parent 3D model	Edition 3D