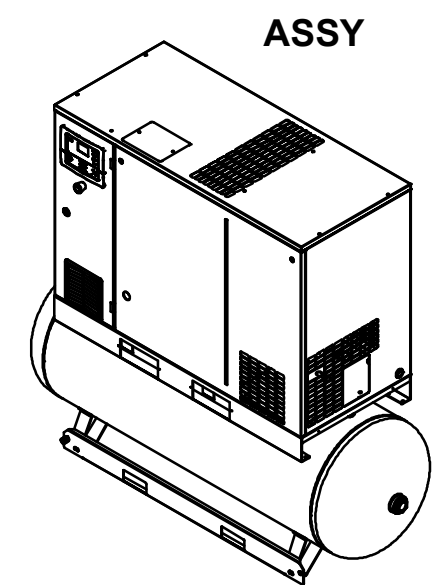
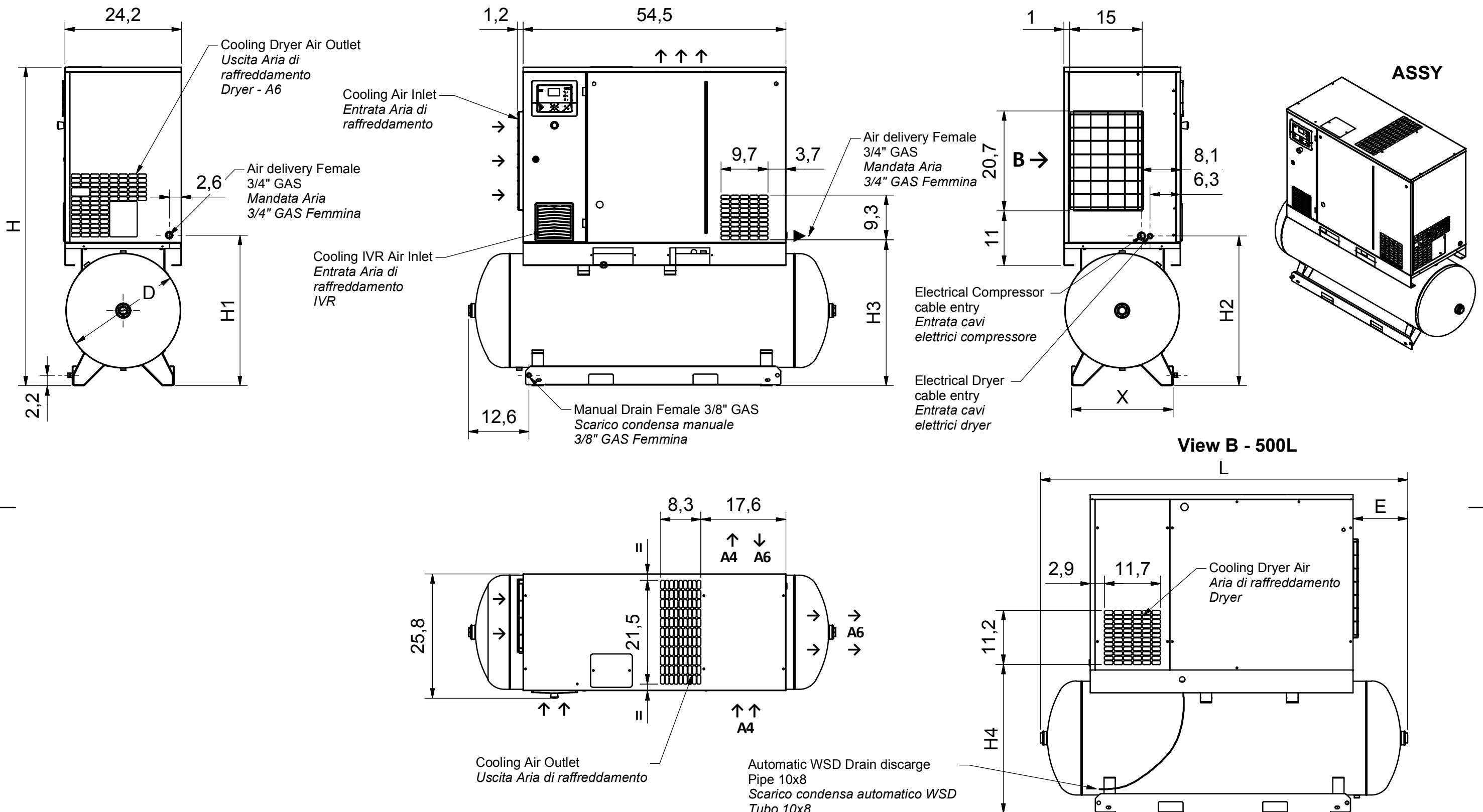


All materials supplied are in compliance with the requirements of the List of Prohibited Substances



View B - 500L

Imperial dimension (in)

10-15-20 Hp - IVR

TYPE	L	D	E	X	H	H1	H2	H3	H4
mm									
Vessel 500L	76,2	23,6	3,5	21,1	66,1	31,3	31,1	30,3	30,9
Vessel 270L	60,4	19,7	4,7	18,3	61	26,2	26	25,2	25,8

Tolerances, if not indicated, according to:									
Name DIM.DRW C55DD TM FF CP Confidentiality Class acc. to 1102 K Confidential									
Material Not Applicable Confidential									
Treatment Not Applicable INV									
Scale 1:20		Family C55*DD		Compare		Drawing owner CAI			
Drawn by caipandrighetto		Blank nr.		Replaces		STATUS			
Drawing format A3		Blank wt		Kg		Fini wt. N/A		Designation	
Des checked.		Prod checked.		Approved.		Date 15/09/2015		Sheet 1 / 1	
9828083214									

01	ISSUED DN 15 0612 50 - CID 26038	27/01/2016		9828083214	00
Ed	Position Modified from	Date	Intr./Appd.	Parent 3D model	Edition 3D

CONFIDENTIAL

This document is our property and shall not, without our permission, be altered, copied, used for manufacturing or communicated to any other person or company.