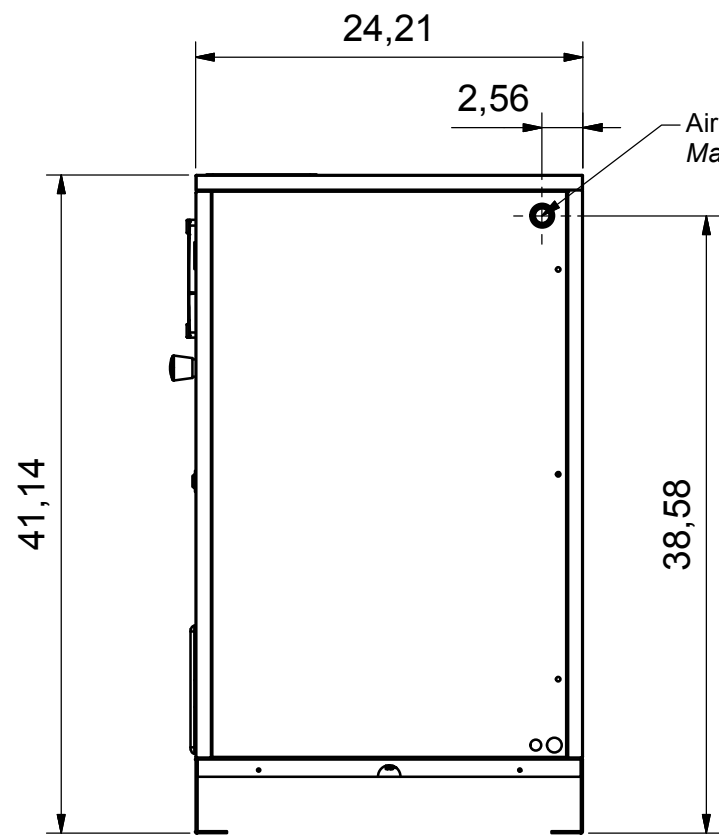
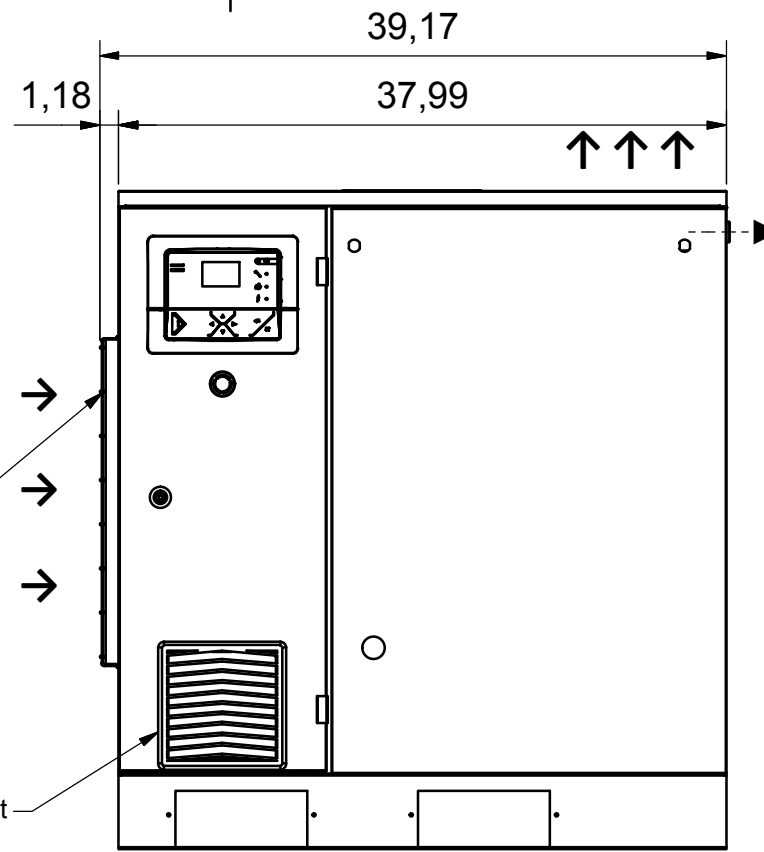


All materials supplied are in compliance with the requirements of the List of Prohibited Substances

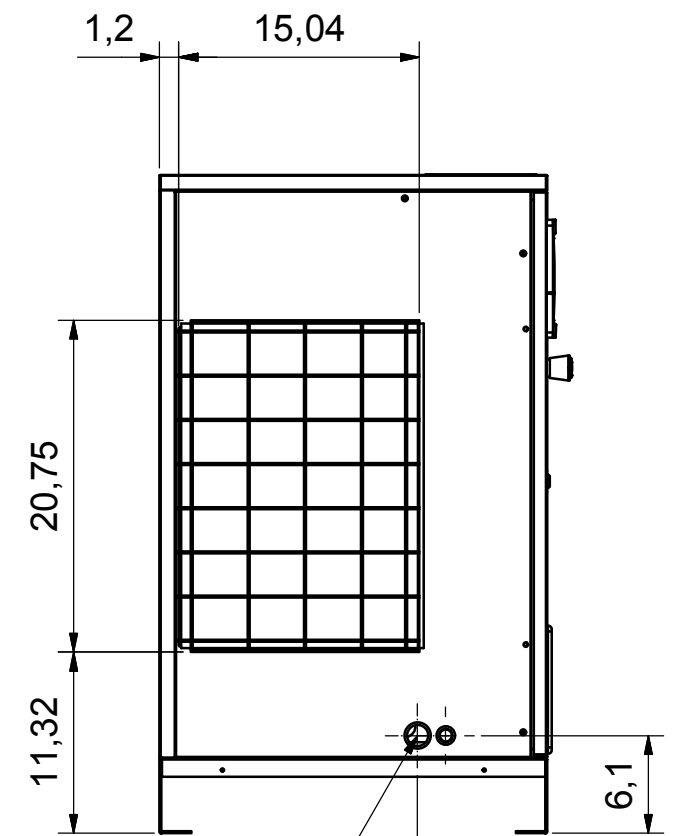


Air delivery Female 3/4" GAS  
Mandata Aria 3/4" GAS Femmina

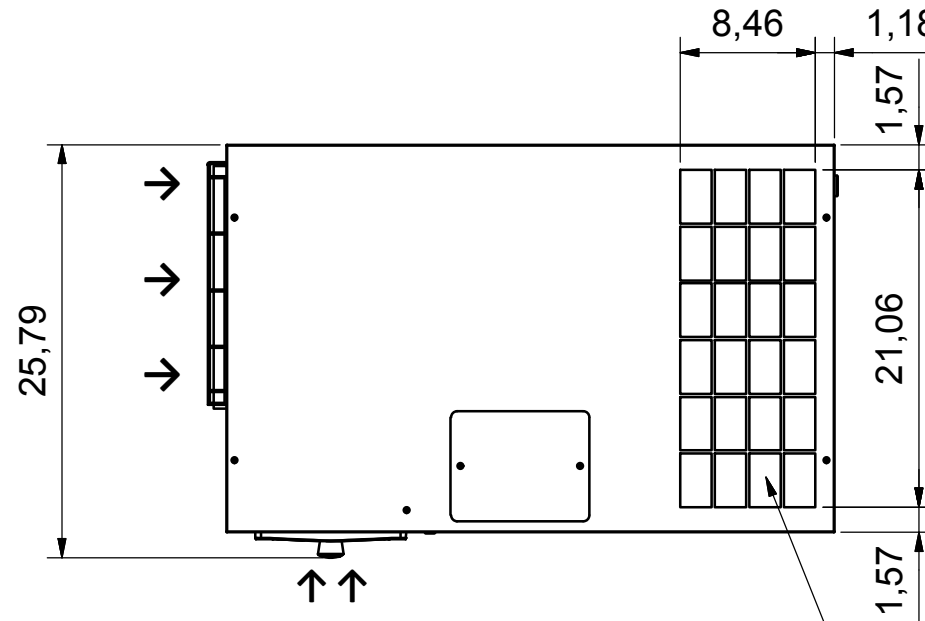
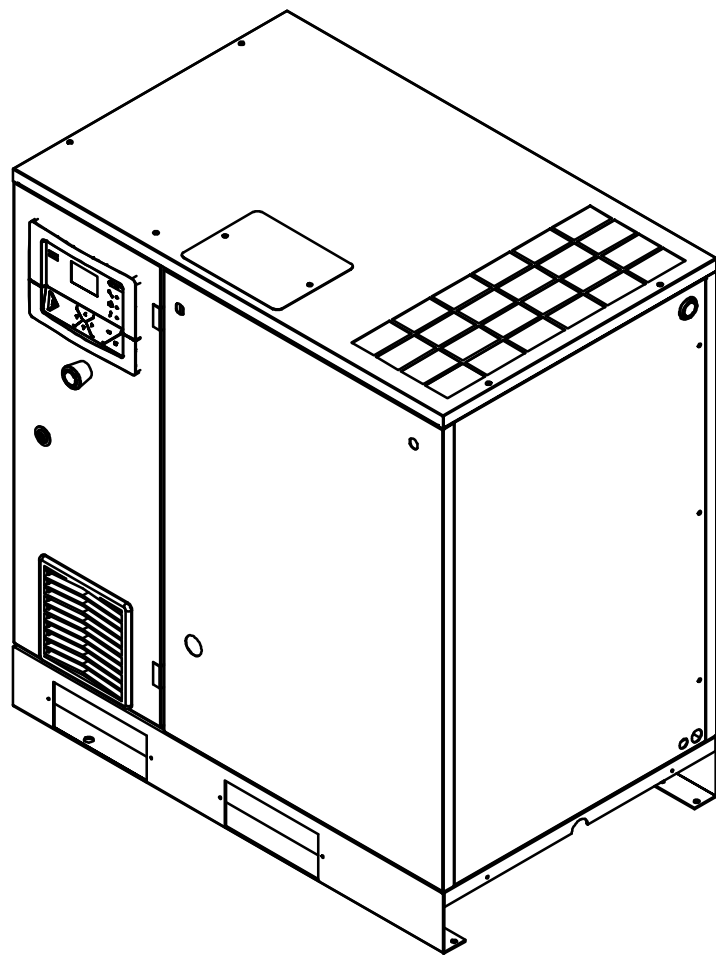


Cooling Air Inlet  
Entrata Aria di raffreddamento

Cooling IVR Air Inlet  
Entrata Aria di raffreddamento IVR



Electrical Compressor cable entry  
Entrata cavi elettrici compressore



Cooling Air Outlet  
Uscita Aria di raffreddamento

# 10-15-20 Hp - IVR CP

Imperial dimension (in)

Tolerances, if not indicated, according to:							
Name		DIM.DRW C55DD FM CP		Confidentiality Class acc. to 1102 K		Confidential	
Material		Not Applicable		INV		Drawing owner	
Treatment		Not Applicable		CAI		Sheet 1 / 1	
Scale		1:12		Family		C55*DD	
Drawn by		caipandrighetto		Blank nr.		Replaces	
Drawing format		Blank wt		Kg		Fini wt. N/A	
Des checked.		Prod checked.		Approved.		Date 14/09/2015	
STATUS		Approved		Designation		9828083210	

CONFIDENTIAL

This document is our property and shall not, without our permission, be altered, copied, used for manufacturing or communicated to any other person or company.

00	ISSUED DN 15 0612 50 - CID 26038	21/12/2015		9828083210-M1	00
Ed	Position	Modified from	Date	Intr./Appd.	Parent 3D model
					Edition 3D