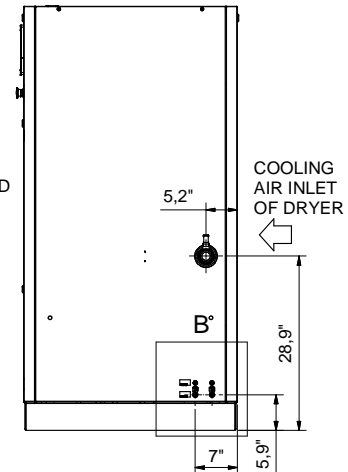
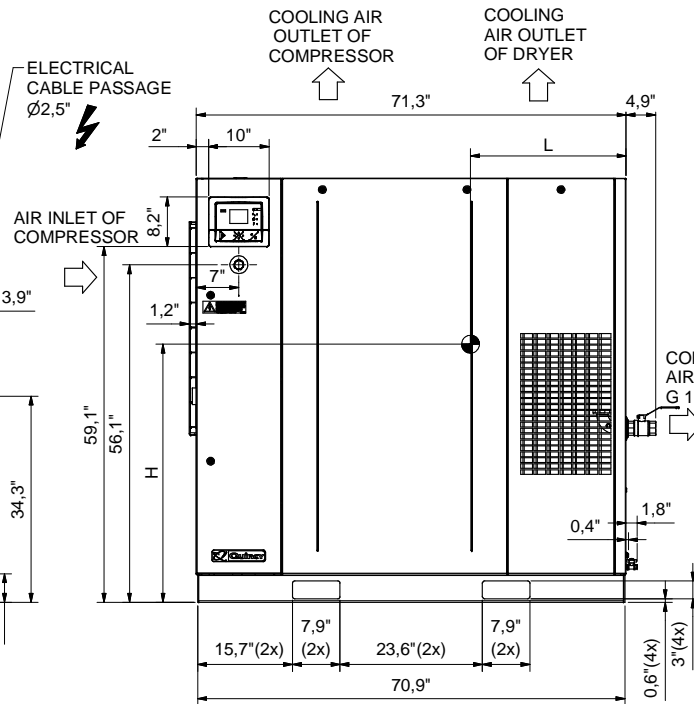
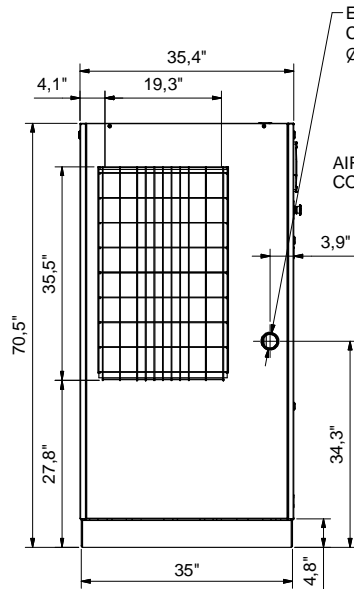
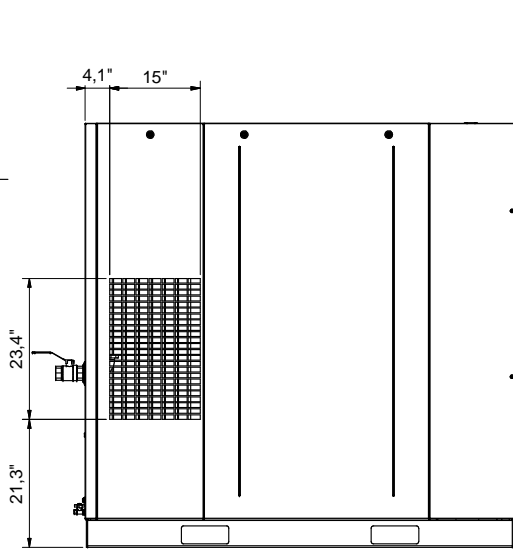
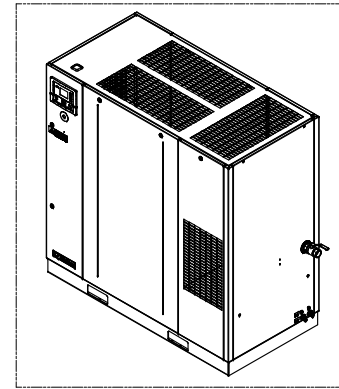
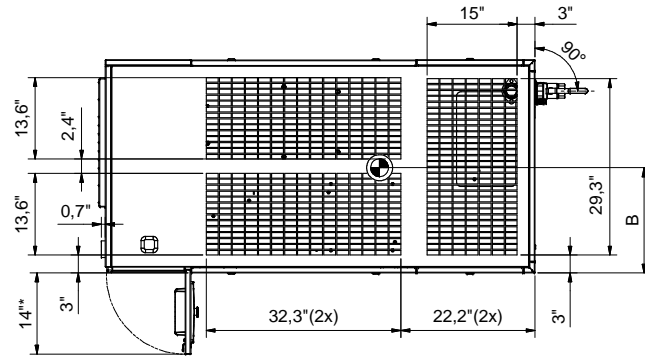
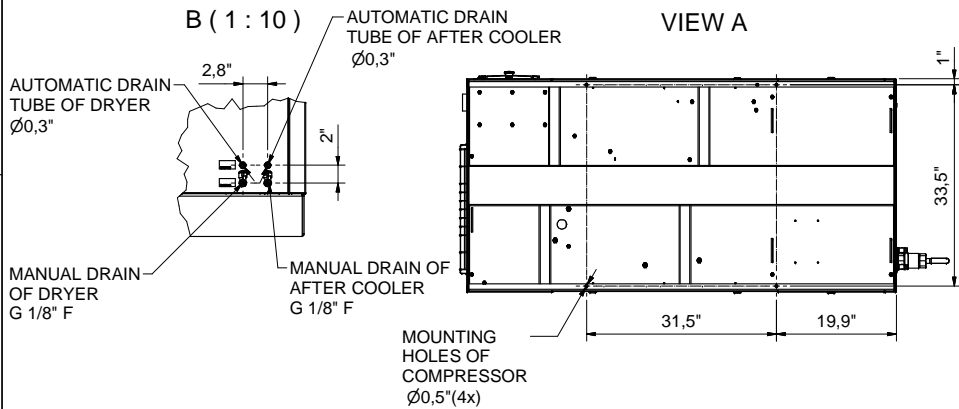


All materials specified are in compliance with the requirements of the List of Prohibited Substances



A ↑

CENTRE OF GRAVITY ± 2(inches)			
TYPE	L	B	H
QGD40	33,2	16,7	17,8
QGD50	33,3	15,5	37,6
QGD60	31,7	16	34,8

APPROX. MASS ± 110(lbs)	
TYPE	MASS
QGD40	1792
QGD50	1914
QGD60	2017

* DOORS FULLY OPEN

9828510239

Parent 3D model Edition 3D

Tolerances, if not indicated, according to:							
Name		DIMENSION DRAWING		QGD40-60 FF		Confidentiality Class see to 9102K	
Material		Not Applicable		Internal		Internal	
Treatment		Not Applicable		INV		Drawing owner	
Scale		1:1		Family		Compare	
Drawn by		iNEmamar		Blank nr.		Replaces	
Drawing format		A2		Blank wt.		Kg	
STATUS		Des checked.		Prod checked.		Approved.	
Date		07-03-2016		Designation		Sheet 1 / 1	
Preliminary		Date		07-03-2016		9828510239	

CONFIDENTIAL: This document is our property and shall not be distributed or used without our permission. All rights reserved. No part of this document may be reproduced or transmitted in any form or by any means electronic or mechanical, including photocopying and recording, or by any information storage or retrieval system, without our prior written permission.

Ed	Position	Modified from	Date	Intr./Appd.