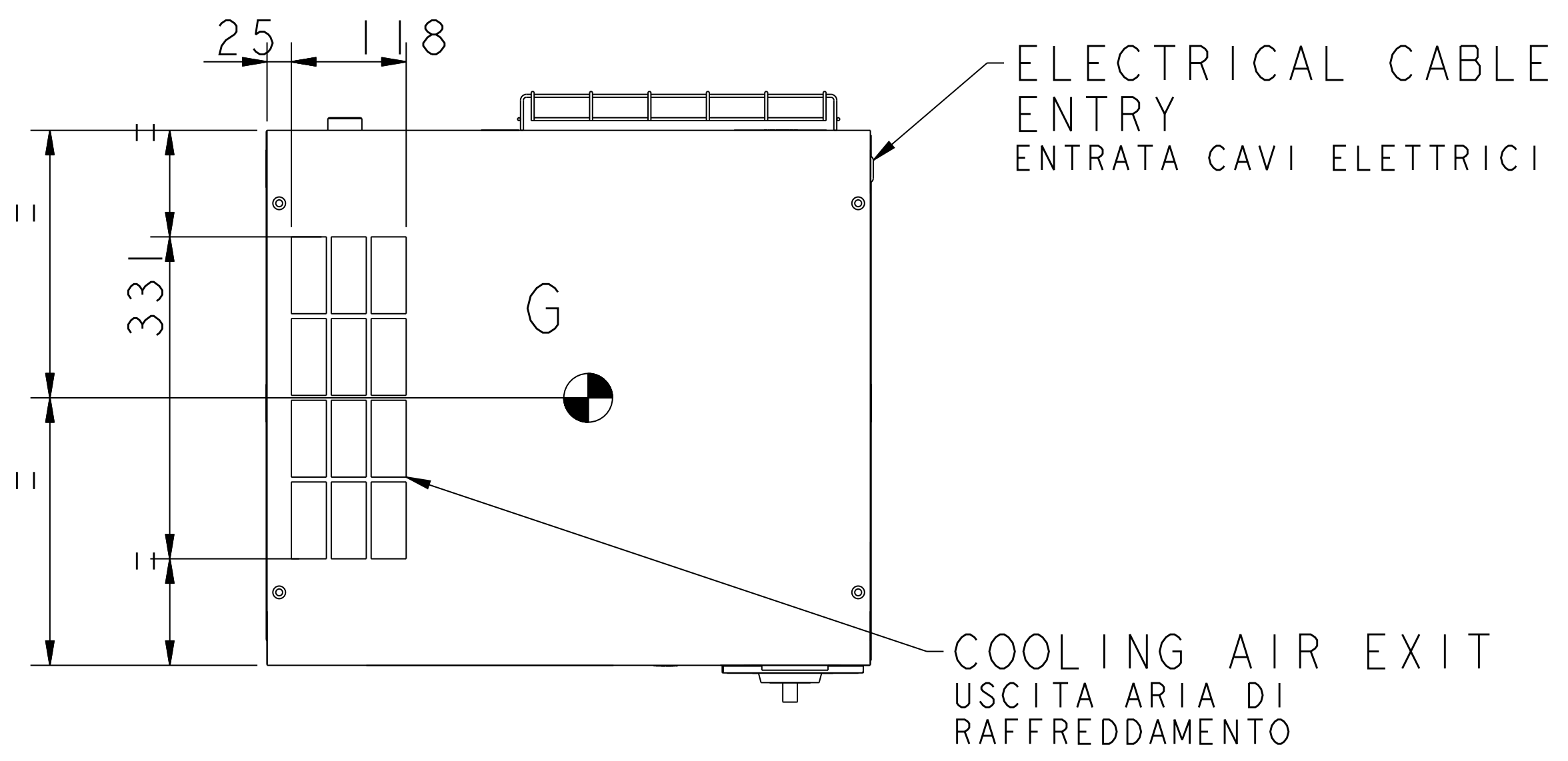
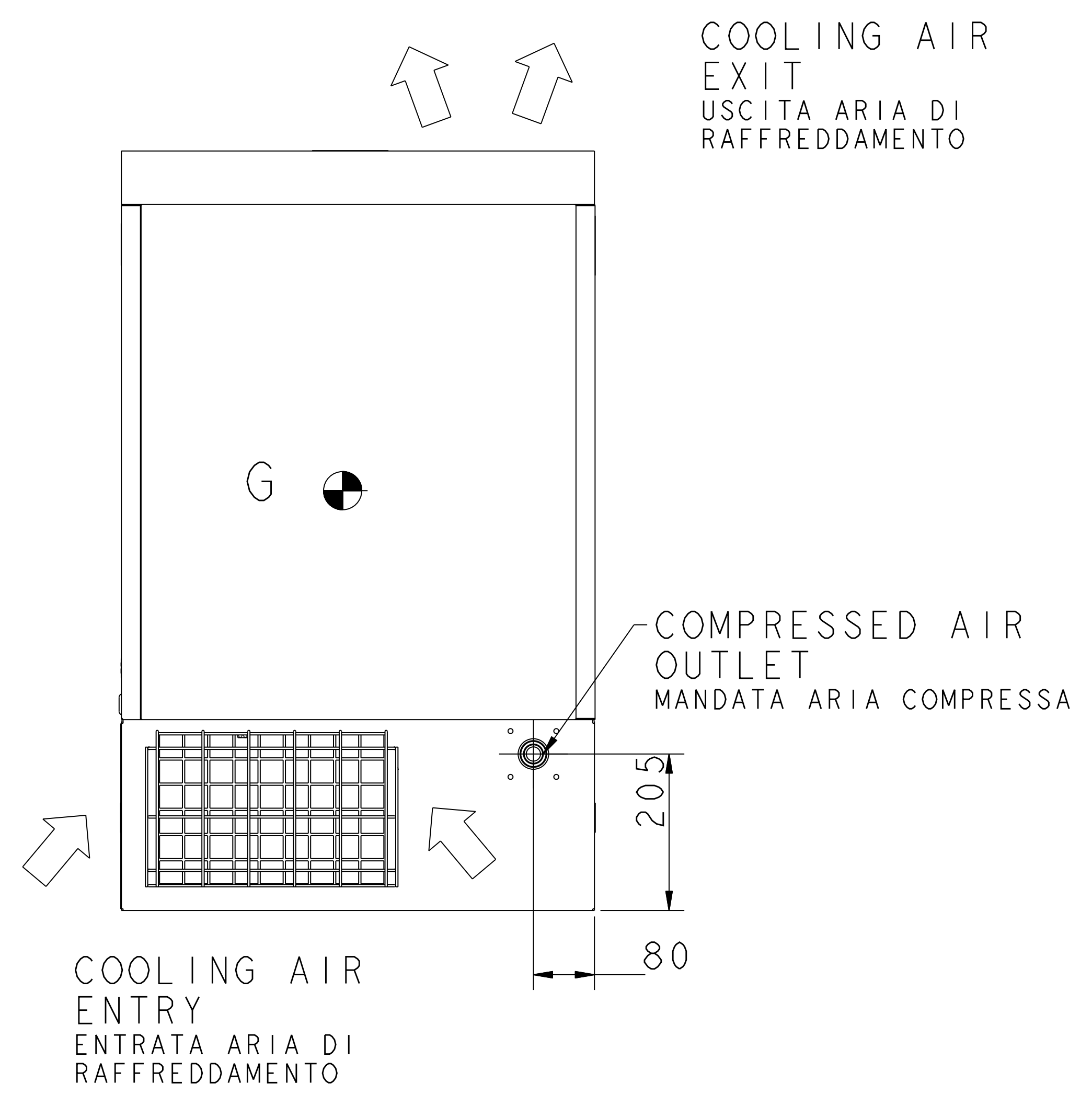
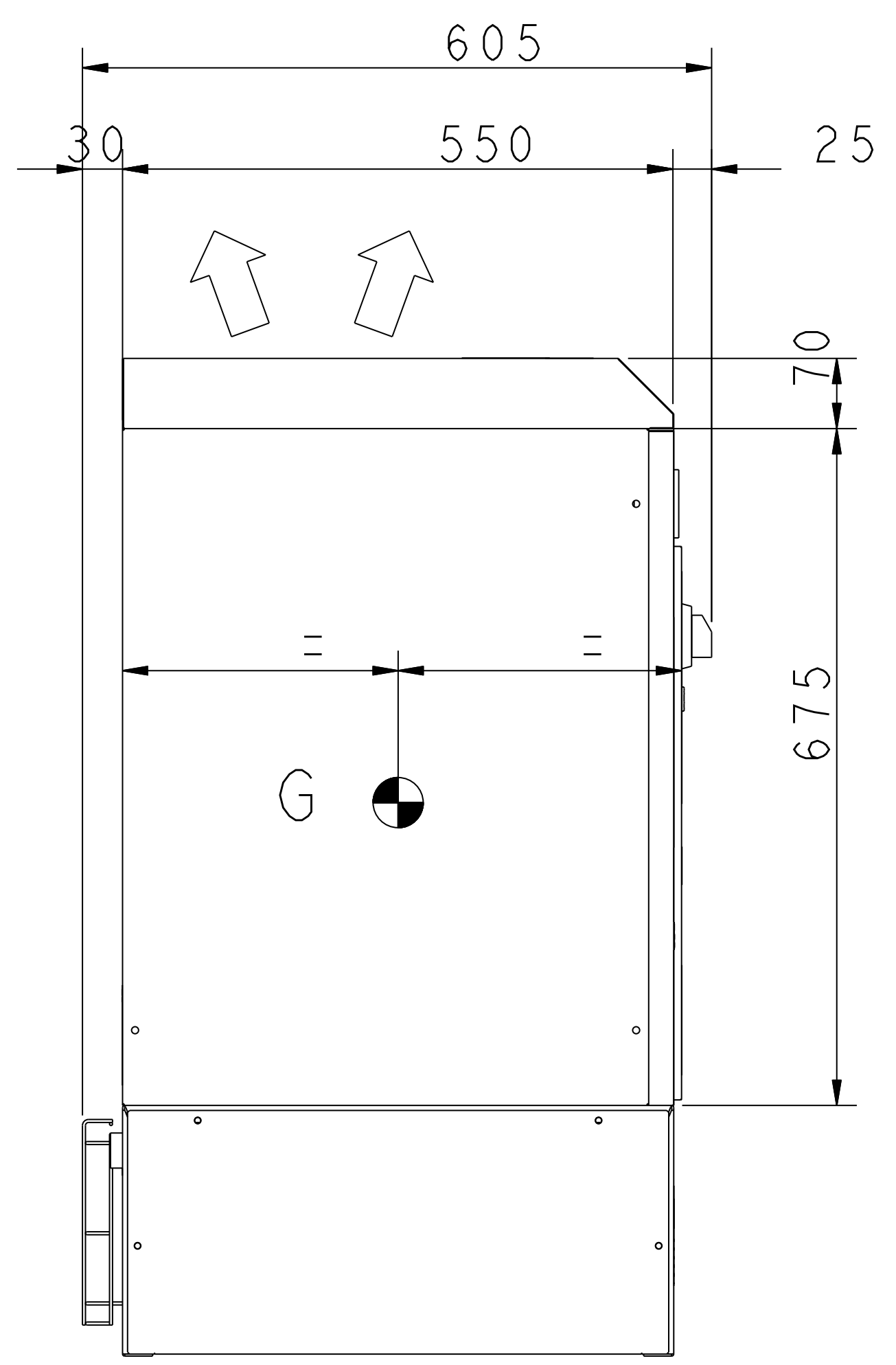
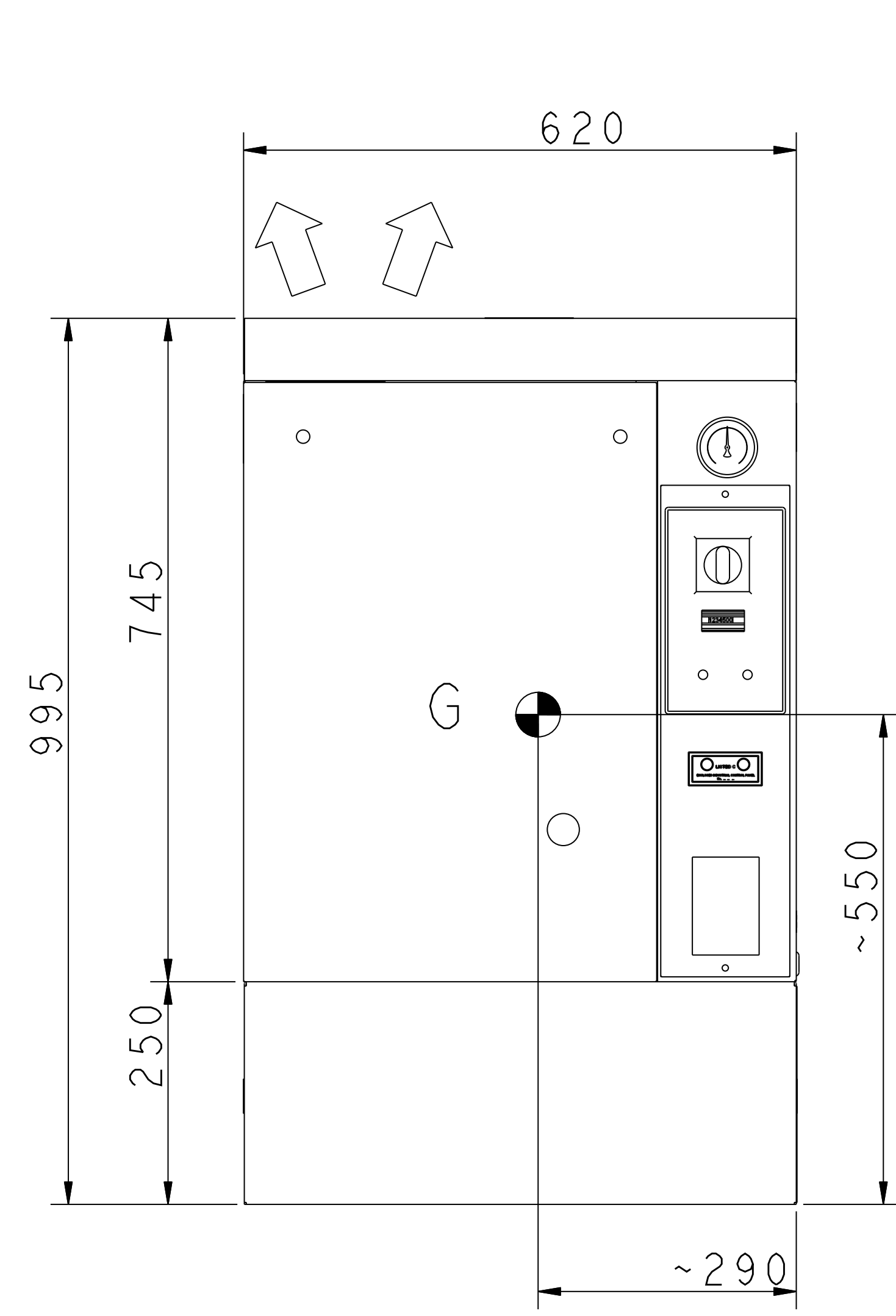


8 7 6 5 4 3 2 1

CHANGES TO THIS DRAWING ARE TO BE APPROVED BY THE BMA ENGINEERING DEPARTMENT					
REVISIONS					
ZONE	SYM	DESCRIPTION	ECN NO	DATE	APPD
	A	RELEASE		5/10	DJ



OVERALL DIMENS. QGS5-7.5 FM

G = center of gravity

THIS MATERIAL IS CONFIDENTIAL AND CONTAINS PROPRIETARY INFORMATION AND OTHER RIGHTS WHICH ARE THE SOLE AND EXCLUSIVE PROPERTY OF QUINCY COMPRESSOR. POSSESSION OF THIS MATERIAL DOES NOT CONVEY OR TRANSFER ANY RIGHTS THERE TO AND ANY REPRODUCTION, USE, COPYING, OR DISCLOSURE TO OTHERS IS FORBIDDEN WITHOUT THE PRIOR WRITTEN CONSENT OF AN OFFICER OF QUINCY COMPRESSOR.

DO NOT SCALE PRINT	THIRD ANGLE PROJECTION	UNLESS OTHERWISE SPECIFIED		NAME	DATE
		TOLERANCE ON ANGLES	±	DR. D. JOHNSON	5/10
FIRST USED ON		TOLERANCE ON TWO PLACE DIM'S	±	CK. K. REAGAN	5/10
		TOLERANCE ON THREE PLACE DIM'S	±	APPD. S. BIDAULT	5/10
		FINISH ON MACHINED SURFACES		✓	
MATL.	9828499901			FILE DATE	5/25/10
FINISH				APPD. BY	

Quincy Compressor
701 N. Dobson Avenue
Boy Minette, Alabama 36507

TITLE	DIMENSIONAL QGS 5-7.5HP	
SIZE	DWG. NO.	REV.
D	147860-1	A
SCALE	WT. 17.863 KGS	SHEET 1 OF 1

THIS DRAWING MAINTAINED IN PROVISIONER

8 7 6 5 4 3 2 1