

8

7

6

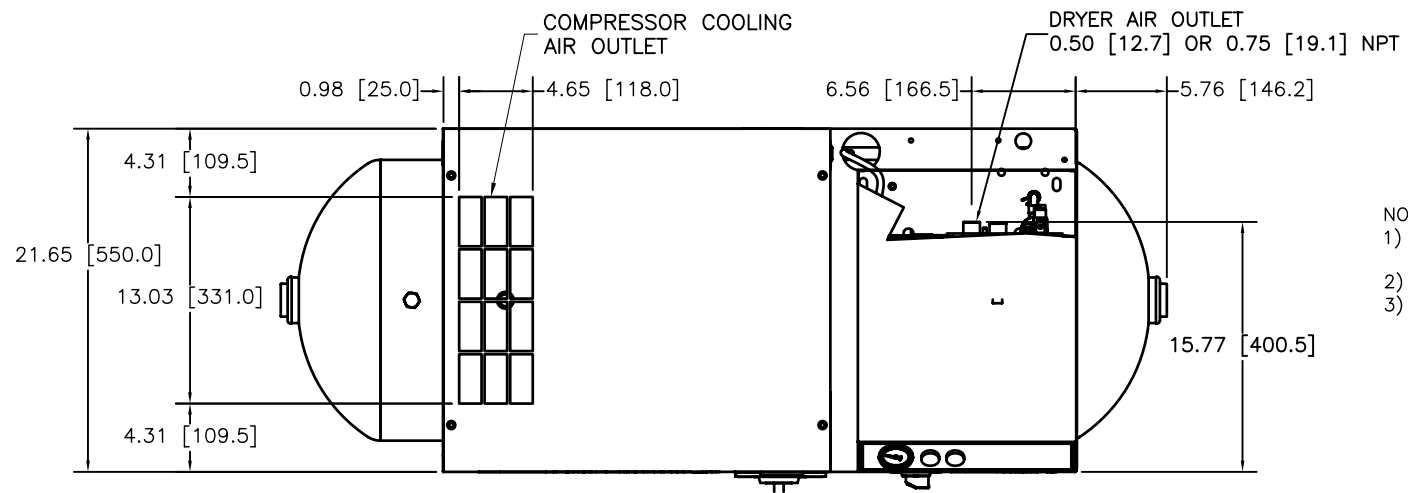
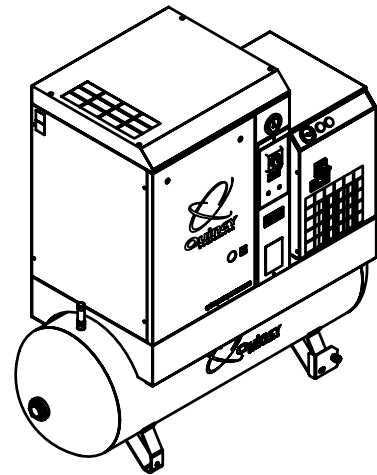
5

4

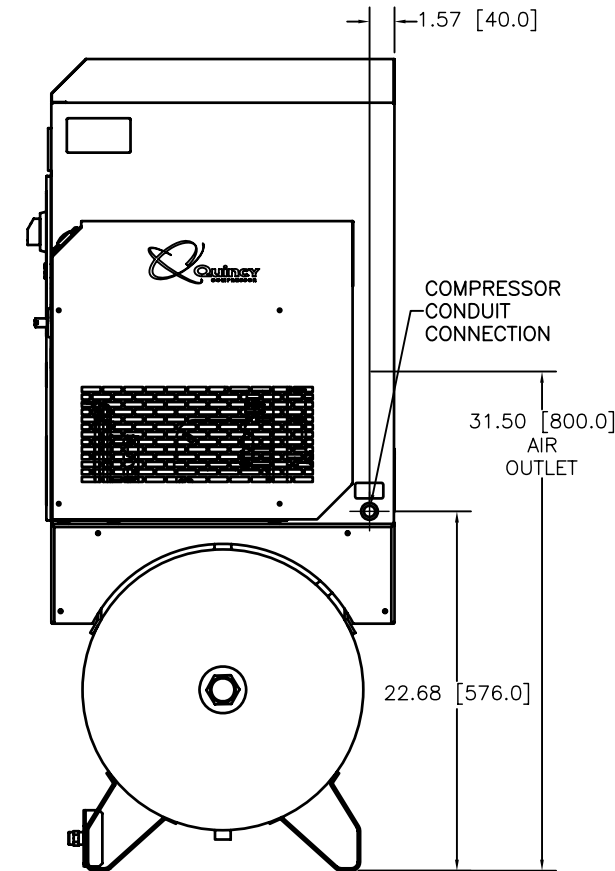
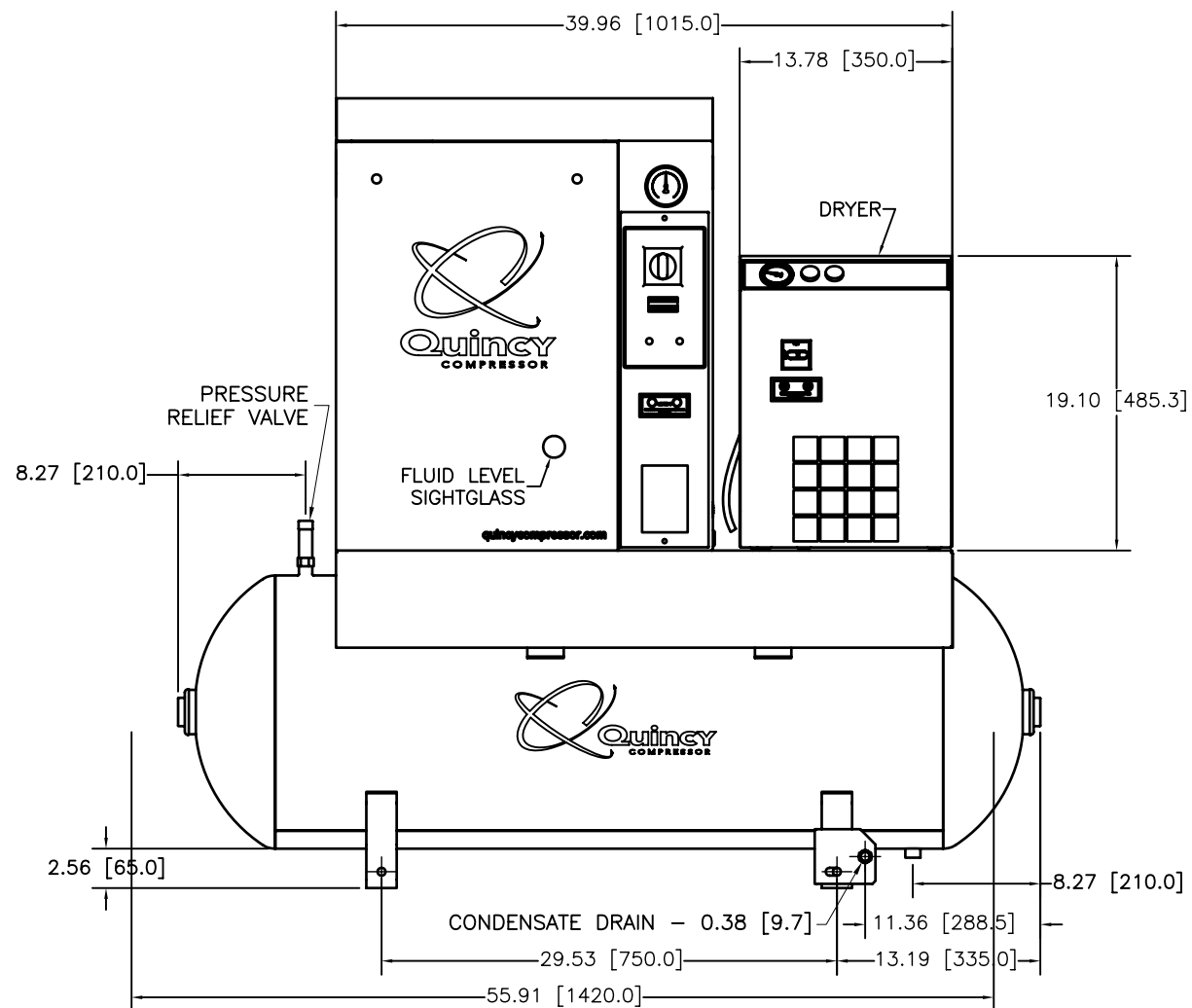
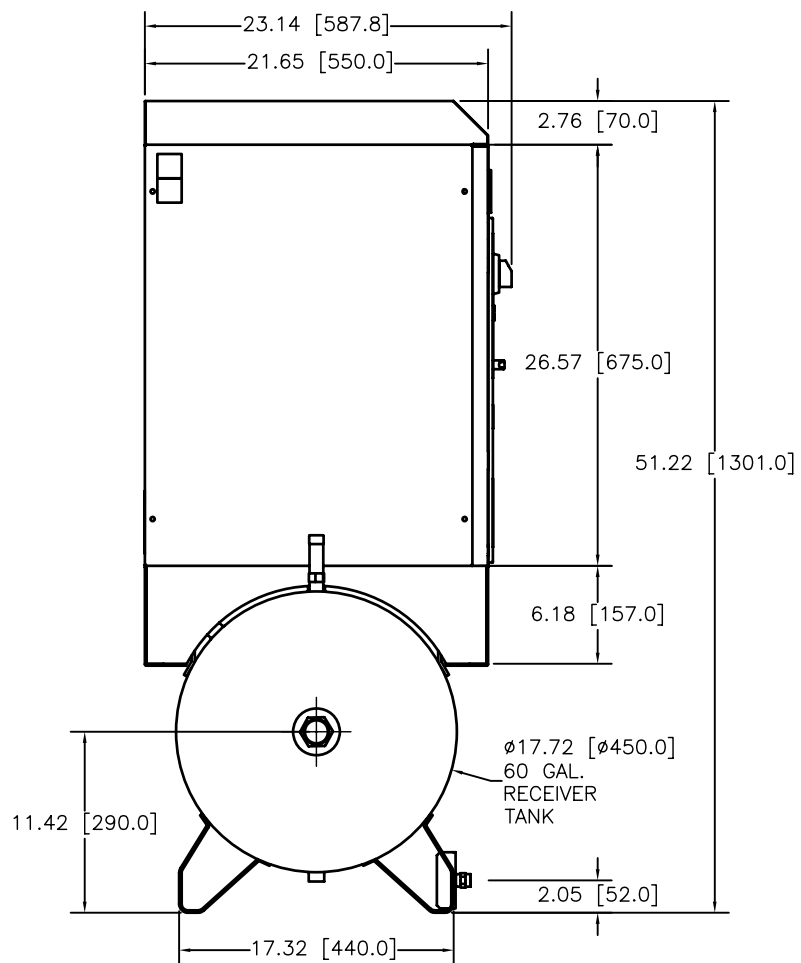
3

2

1



NOTES—UNLESS OTHERWISE SPECIFIED:
 1) ALLOW 4 FEET CLEARANCE ALL AROUND UNIT FOR ACCESS AND FREE AIR CIRCULATION.
 2) DIMENSIONS ARE IN INCHES [MILLIMETERS].
 3) DIMENSIONS ±0.25 [6.4] EXCLUDING PIPING WHICH IS SUBJECT TO COMPONENT TOLERANCE AND THREAD ENGAGEMENT.



THIS MATERIAL IS CONFIDENTIAL AND CONTAINS PROPRIETARY INFORMATION AND OTHER RIGHTS WHICH ARE THE SOLE AND EXCLUSIVE PROPERTY OF QUINCY COMPRESSOR. POSSESSION OF THIS MATERIAL DOES NOT CONVEY OR TRANSFER ANY RIGHTS THERETO AND ANY REPRODUCTION, USE, COPYING, OR DISCLOSURE TO OTHERS IS FORBIDDEN WITHOUT PRIOR WRITTEN CONSENT OF AN OFFICER OF QUINCY COMPRESSOR.

NAME	DATE	 <small>701 N. Dobson Avenue Bay Minette, Alabama 36530</small>
DR LA	02/07	
CK LA	02/07	
APPD GK	02/07	
ECN NO.	6075-**	MODEL DIMENSIONAL
DATE ISSUED	02/22/07	QGS-5/7.5, WITH DRYER
		DWG. NO. C02202848400
		REV A

8

7

6

5

4

3

2

1