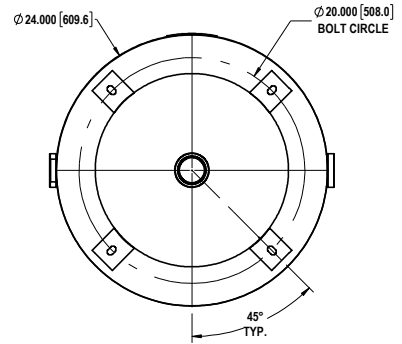
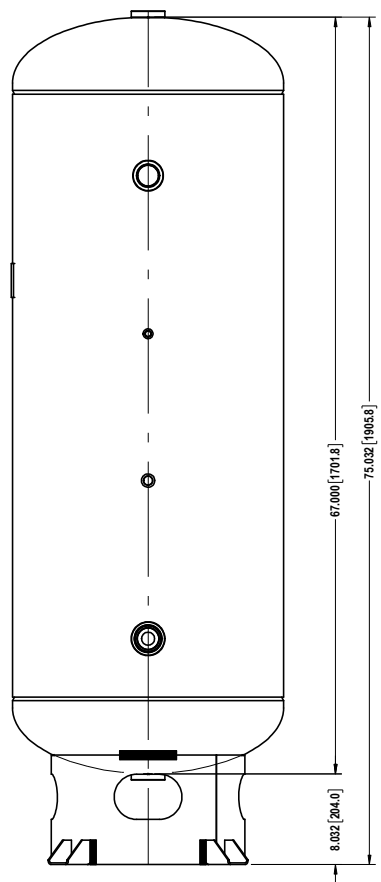
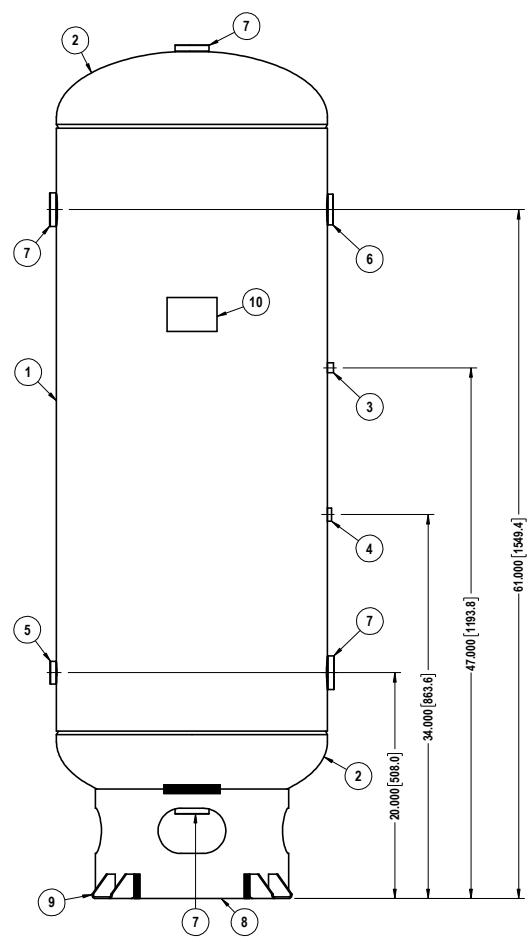


THIS DRAWING & SPECIFICATIONS ARE PROPERTY OF MORGANTON PRESSURE VESSELS AND MAY NOT BE COPIED, REPRODUCED, OR USED IN WHOLE OR PART, AS A BASIS FOR DESIGN MANUFACTURE OR SALE WITHOUT PRIOR PERMISSION FROM MORGANTON PRESSURE VESSELS.

DESIGN INFORMATION	
SPECIFICATION	VALUE
DIAMETER (O.D.)	24.000"
MAWP	200 PSI AT 650°F
MDMT	-20°F AT 200 PSI
CAPACITY	APPROX 120 GALLONS
APPROX. WEIGHT	294 LBS



ITEM#	DESCRIPTION	QTY.
10	NAME PLATE	1
9	SKIRT SUPPORT	4
8	SKIRT	1
7	2" NPT COUPLING	4
6	1-1/2" NPT COUPLING	1
5	1" NPT COUPLING	1
4	1/2" NPT COUPLING	1
3	1/4" NPT COUPLING	1
2	HEAD	2
1	SHELL	1

**MORGANTON**  
 120 GALLON  
 VERT. AIR RECEIVER  
 -ASME-  
 SEC. VIII DIV. 1

TOLERANCES, IF NOT INDICATED, ACCORDING TO:  
 C-G SE 03.03 / 3  
 DWG. NO. VES09299

NOT FOR PRODUCTION USE

8 7 6 5 4 3 2 1

8 7 6 5 4 3 2 1

E  
D  
C  
B  
A

E  
D  
C  
B  
A