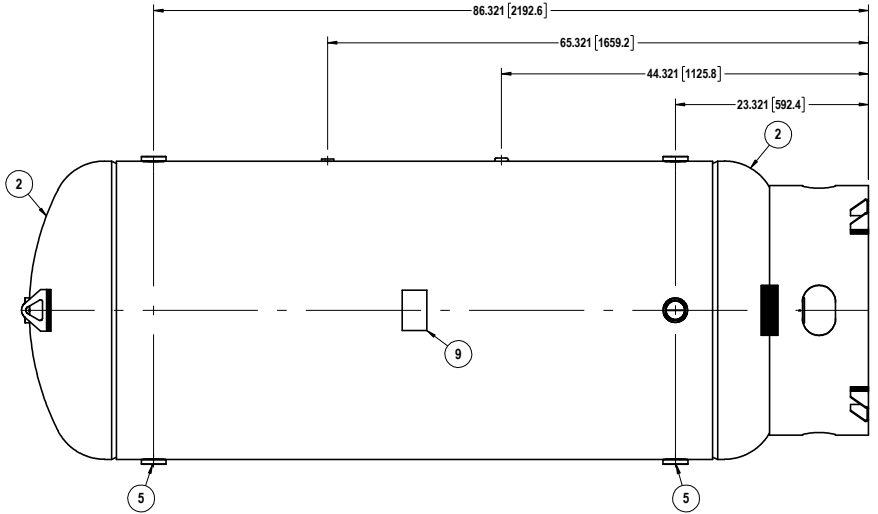
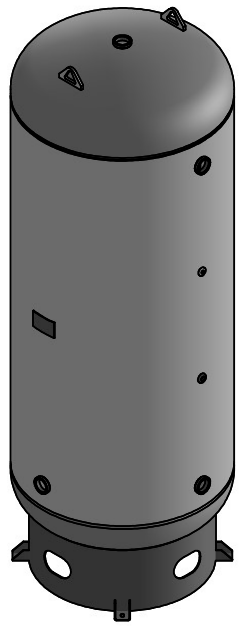
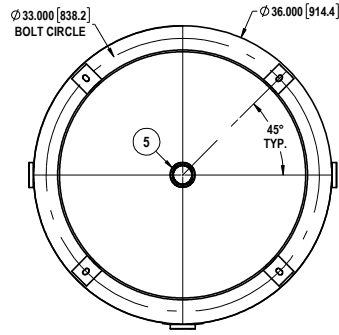
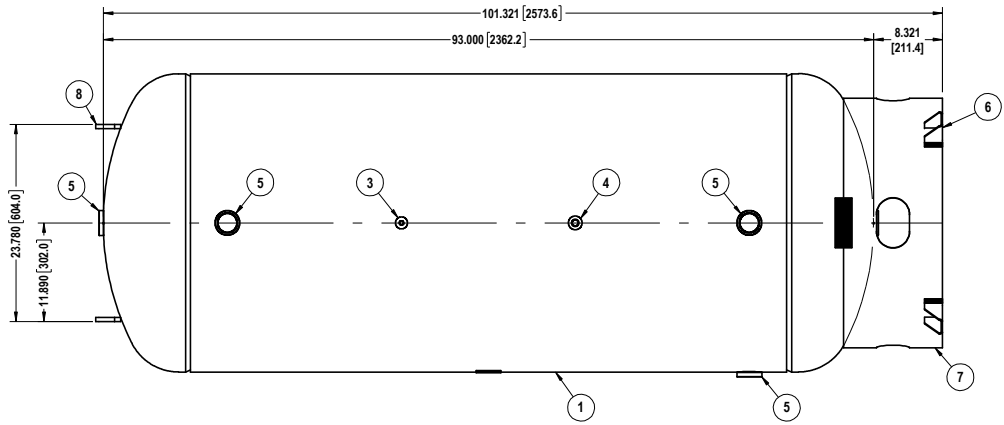


8 7 6 5 4 3 2 1

THIS DRAWING & SPECIFICATIONS ARE PROPERTY OF MORGANTON PRESSURE VESSELS AND MAY NOT BE COPIED, REPRODUCED, OR USED IN WHOLE OR PART, AS A BASIS FOR DESIGN MANUFACTURE OR SALE WITHOUT PRIOR PERMISSION FROM MORGANTON PRESSURE VESSELS.

DESIGN INFORMATION	
SPECIFICATION	VALUE
DIAMETER (O.D.)	36.000"
MAWP	200 PSI AT 650°F
MDMT	-20°F AT 200 PSI
CAPACITY	APPROX 400 GALLONS
APPROX. WEIGHT	854 LBS



ITEM#	DESCRIPTION	QTY.
9	NAME PLATE	1
8	LIFTING LUG	2
7	36" SKIRT	1
6	SKIRT SUPPORT	4
5	2" NPT COUPLING	7
4	1/2" NPT FLAT COUPLING	1
3	1/4" NPT FLAT COUPLING	1
2	HEAD	2
1	SHELL	1

NOT FOR PRODUCTION USE

<p>400 GALLON VERT. AIR RECEIVER -ASME- SEC. VIII DIV. 1</p>	TOLERANCES, IF NOT INDICATED, ACCORDING TO: C-G SE 03.03 / 3
	DIWG. NO. VES07584
	REV. 2

8 7 6 5 4 3 2 1