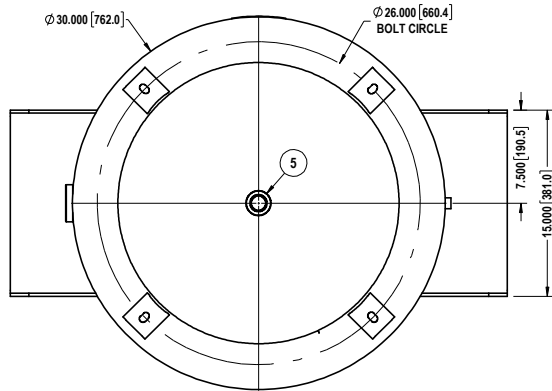
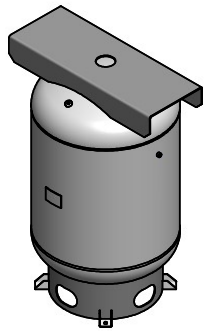
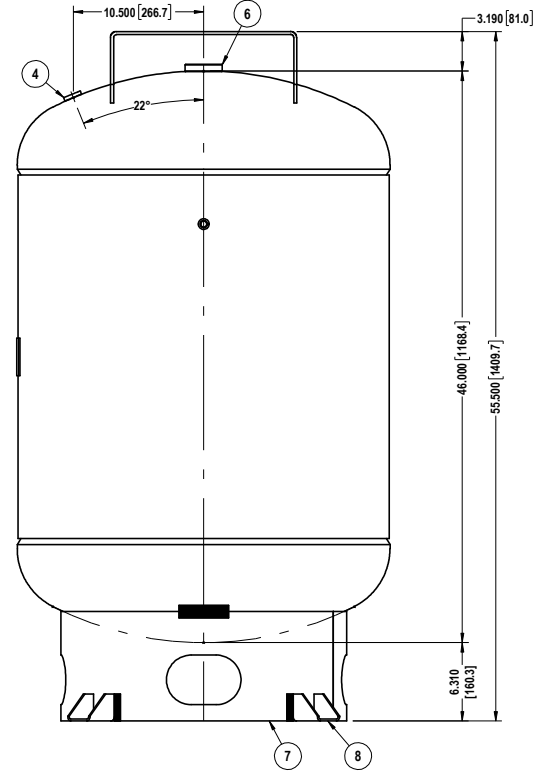
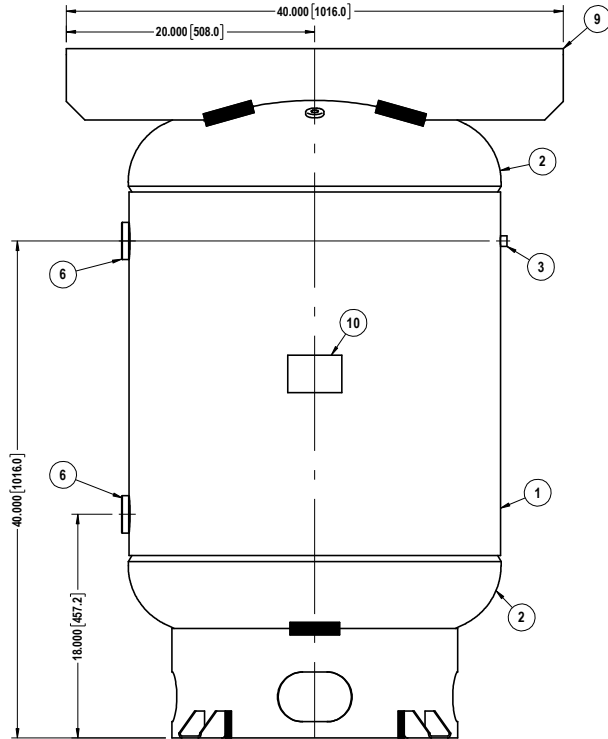


THIS DRAWING & SPECIFICATIONS ARE PROPERTY OF MORGANTON PRESSURE VESSELS AND MAY NOT BE COPIED, REPRODUCED, OR USED IN WHOLE OR PART, AS A BASIS FOR DESIGN MANUFACTURE OR SALE WITHOUT PRIOR PERMISSION FROM MORGANTON PRESSURE VESSELS.

DESIGN INFORMATION	
SPECIFICATION	VALUE
DIAMETER (O.D.)	30.000"
MAWP	200 PSI AT 650°F
MDMT	-20°F AT 200 PSI
CAPACITY	APPROX 120 GALLONS
APPROX. WEIGHT	383 LBS



ITEM#	DESCRIPTION	QTY.
10	NAME PLATE	1
9	TOP PLATE	1
8	SKIRT SUPPORT	4
7	30" SKIRT	1
6	2" NPT COUPLING	3
5	1" NPT COUPLING	1
4	1/4" NPT FLAT COUPLING	1
3	1/4" NPT COUPLING	1
2	HEAD	2
1	SHELL	1

**MORGANTON**  
 120 GALLON  
 VERTICAL VESSEL  
 -ASME-  
 SEC. VIII DIV. 1

TOLERANCES, IF NOT INDICATED, ACCORDING TO:  
 C-G SE 03.03 / 3  
 DWG. NO. VES04766

NOT FOR PRODUCTION USE