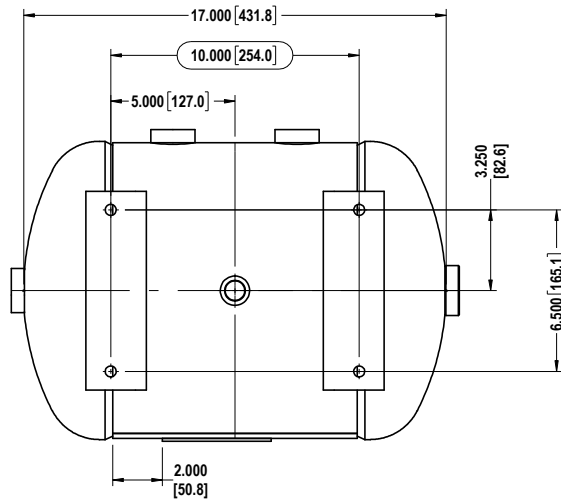
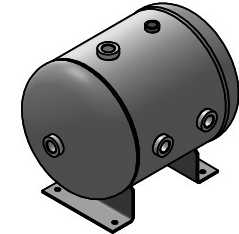
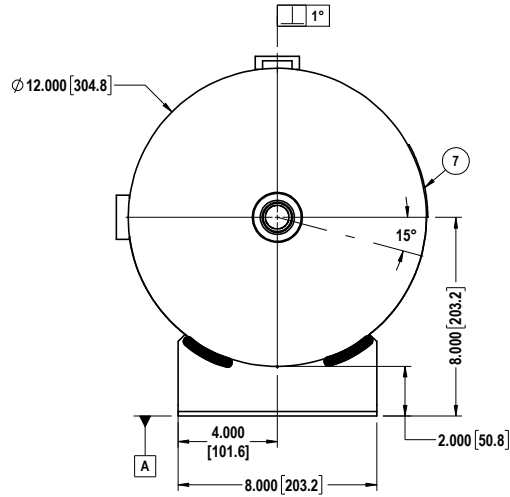
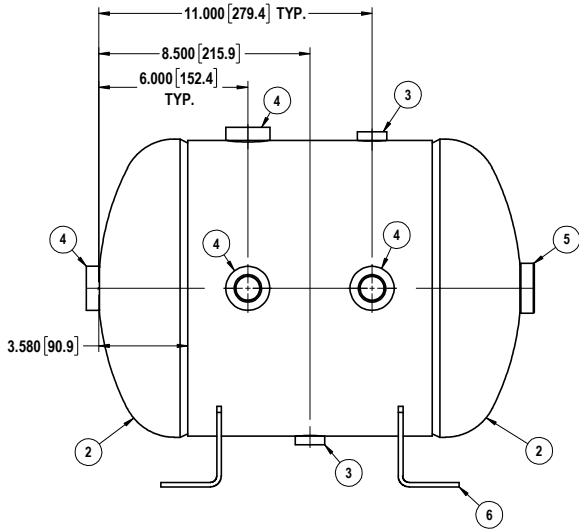


THIS DRAWING & SPECIFICATIONS ARE PROPERTY OF MORGANTON PRESSURE VESSELS AND MAY NOT BE COPIED, REPRODUCED, OR USED IN WHOLE OR PART, AS A BASIS FOR DESIGN MANUFACTURE OR SALE WITHOUT PRIOR PERMISSION FROM MORGANTON PRESSURE VESSELS.

DESIGN INFORMATION	
SPECIFICATION	VALUE
DIAMETER (O.D.)	12.000"
MAWP	200 PSI AT 650°F
MDMT	-20°F AT 200 PSI
CAPACITY	APPROX 7 GALLONS
APPROX. WEIGHT	30 LBS



ITEM#	DESCRIPTION	QTY.	PART #
7	NAME PLATE	1	LAB00038
6	SUPPORT	2	CAN14985
5	1" NPT COUPLING	1	SOK00281
4	3/4" NPT COUPLING	4	SOK00289
3	1/2" NPT COUPLING	2	SOK00286
2	HEAD	2	HEA00441
1	SHELL	1	PSV03518

	TOLERANCES, IF NOT INDICATED, ACCORDING TO: C-G SE 03.03 / 3
	DWG. NO. <b>VES0010068</b>
<b>7 GALLON HORIZONTAL VESSEL</b> -ASME- SEC. VIII DIV. 1	<b>REV. 0</b>

NOT FOR PRODUCTION USE

8

7

6

5

4

3

2

1

8

7

6

5

4

3

2

1