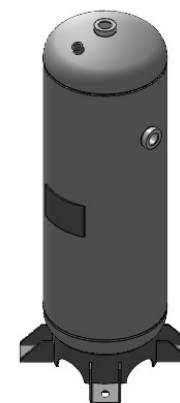
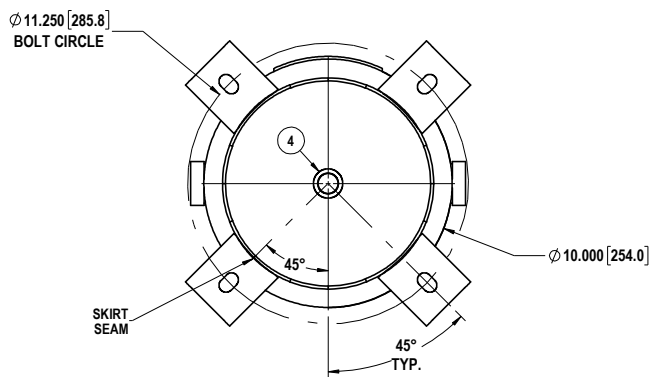
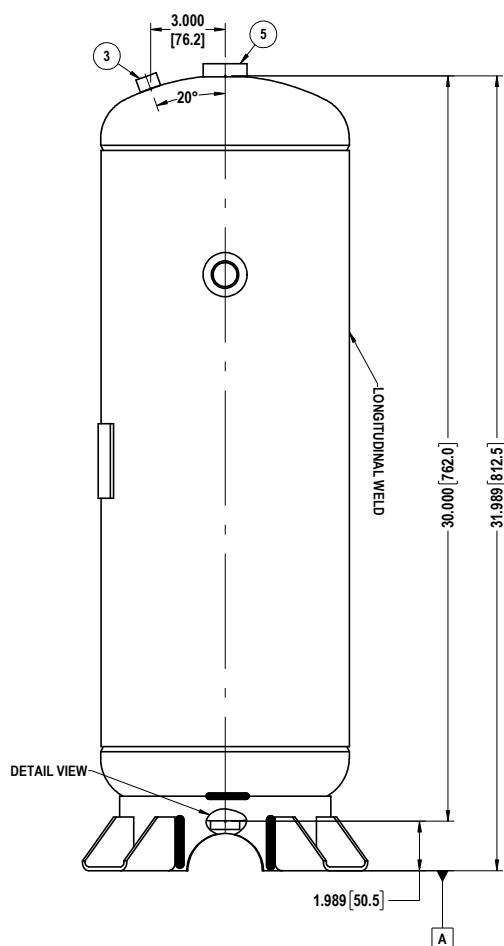
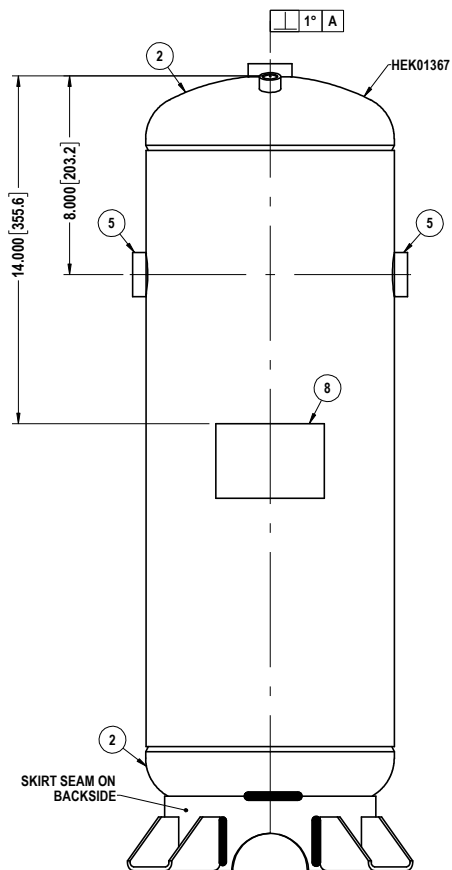


THIS DRAWING & SPECIFICATIONS ARE PROPERTY OF MORGANTON PRESSURE VESSELS AND MAY NOT BE COPIED, REPRODUCED, OR USED IN WHOLE OR PART, AS A BASIS FOR DESIGN MANUFACTURE OR SALE WITHOUT PRIOR PERMISSION FROM MORGANTON PRESSURE VESSELS.

DESIGN INFORMATION	
SPECIFICATION	VALUE
DIAMETER (O.D.)	10.000"
MAWP	200 PSI AT 650°F
MDMT	-20°F AT 200 PSI
CAPACITY	APPROX 10 GALLONS
APPROX. WEIGHT	40 LBS



ITEM#	DESCRIPTION	QTY.
8	NAME PLATE	1
7	SKIRT SUPPORT	4
6	SKIRT	1
5	3/4" NPT COUPLING	3
4	1/2" NPT COUPLING	1
3	1/4" NPT COUPLING	1
2	HEAD	2
1	SHELL	1

	TOLERANCES, IF NOT INDICATED, ACCORDING TO: C-G SE 03.03 / 3
	10 GALLON VERT. AIR RECEIVER -ASME- SEC. VIII DIV. 1
	DWG. NO. VES0010060 REV. 0

NOT FOR PRODUCTION USE