

SERIES
ERC

ROTARY VANE COMPRESSORS FROM 5 THROUGH 260 SCFM



SERIES ERC



ERC Series open-frame air compressors BEST CHOICE FOR VALUE & DURABILITY

WE BUILD A BETTER COMPRESSOR

Over a century ago, Enea Mattei created his first air compressor. By the 1950's, he recognized the unrivaled advantages that were only possible with rotary vane technology. That decision set the course for MATTEI for the next 100 years.

Of all the air compressor technologies available in the world today, ONLY Mattei's rotary vane compressor technology offers:

- **Unmatched energy efficiency over time**
- **Unrivaled performance throughout time**
- **Unequaled life expectancy across time**

Do you want something that will last along time? Something that actually lowers your energy bill as time goes on? Something that improves with age like a fine wine?

Sustainability is the goal when you simply want to maintain the status quo. It is the least we can do for ourselves and our planet. That is why you want a Mattei rotary vane. It is the ONLY air compressor capable of delivering "**Improvable Performance™**".

WHY MATTEI IS YOUR BEST CHOICE

Mattei compressors are designed to give constant top performance 24 hours a day, every day of the year. Extremely rugged and reliable, ERC Series is designed for outstanding durability and value.

Rely on Mattei ERC Series for:

- Unaltered performance through time
- No wear of the compressor's moving mechanical parts
- System friendly demand adptable controls
 - Automatic Load/No Load
 - Load matching Modulation
 - Automatic with Modulation
- Pulse-free air
- Compact design
- Low oil volume and consumption
- Direct coupled compressor and motor
- Slow 1,800 RPM rotational speed
- Low maintenance
- Quiet operation



ERC Series Air Compressors Simple. Quiet. Reliable.

UNRIVALED PERFORMANCE & DURABILITY

Today, Mattei continues to leverage advancements in technology and materials to offer the best value in premium quality air compressors found anywhere on the planet.

Imagine "bearingless" Airends that last up to 100,000 hours (2-3 times the life of rotary screws) without needing an overhaul, unrivaled super quiet operation, and the most energy stingy designs in the industry.

It's a fact; Mattei is in a class of its own. Want to protect productivity, increase profitability, and lessen your carbon footprint?

Get a Mattei.

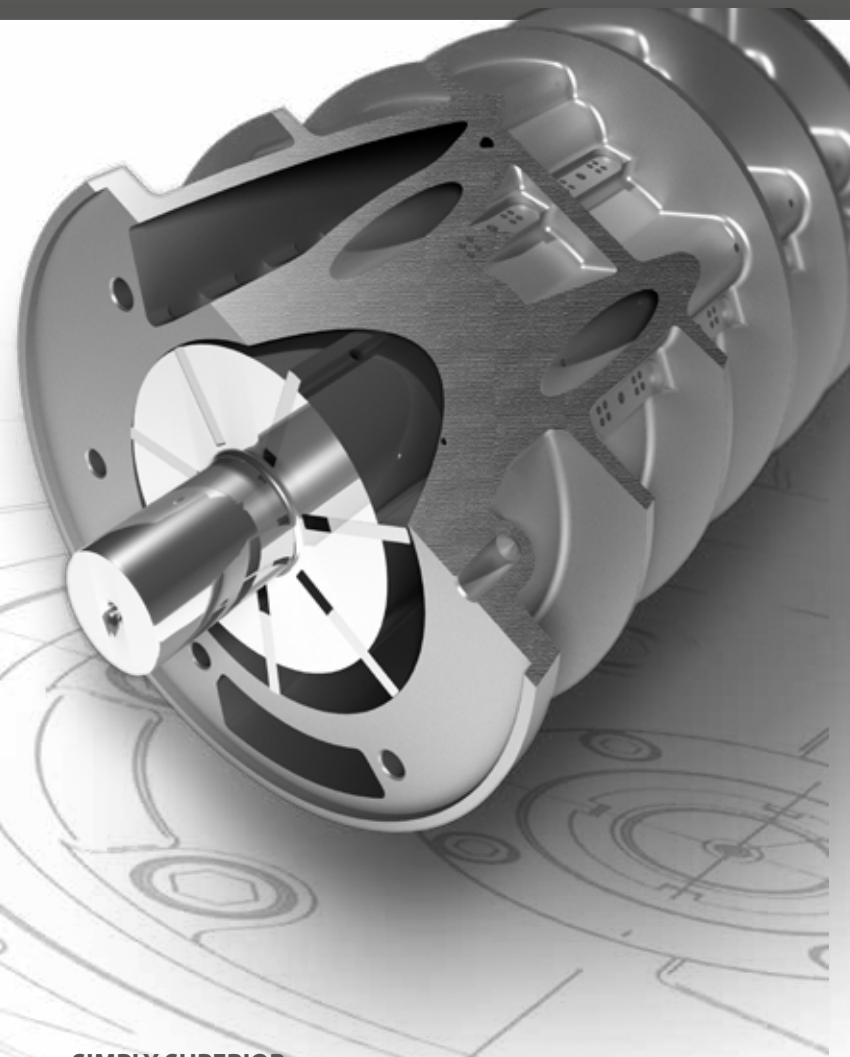
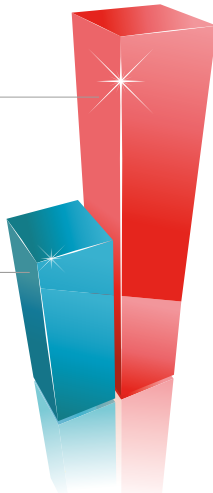
YOU GET WHAT YOU PAY FOR

It is not uncommon to get over 100,000 hours of service life out of our airends without a rebuild. Mattei vane technology features zero-wear cast iron blades that ride on a thin film of lubricant thus, preventing wear to the blade or stator wall. The heart of the unit is the rotor which is supported by two (2) white metal Babbitt bushings and spins at only 1,800 rpm, less than half the speed of screw compressors.

ERC series is also friendly to your wallet and the environment. Each vane unit holds very little lubricant which saves you a small fortune on oilchanges and disposal costs. The highly efficient mechanical air/oil separation chamber delivers high quality air to the air/oil separator filter which provides up to 10,000 hours of service, and low 1-3 ppm oil carryover.

OTHER COMPRESSORS
MAINTENANCE

MATTEI
COMPRESSORS



SIMPLY SUPERIOR

ERC Series are our traditional open-frame air compressors designed for performance and value. Known for reliability, each features sleek in-line construction, simple controls, quiet dependable operation and low maintenance. Mattei compressors are simply superior by design.

HIGH QUALITY COMPRESSED AIR

ERC Series compressors have an exclusive and efficient oil separating system which occurs in three stages. In the initial stage most of the oil is separated in a labyrinth in the compression chamber. Then, the air enters the separator chamber where mechanical separation takes place through speed reduction and flow deviation. In the final phase, the air passes through the air/oil separator element which limits oil carryover to only 1-3 ppm.

SERIES ERC

ERC Series Rotary Vane Compressors

Mattei's ERC series compressors are complete and efficient machines that are ideal for any type of industrial application.

DIRECT COUPLING

ERC Series compressors eliminate the need for power robbing and maintenance intensive belts or gearboxes. The compressor shaft is mated to the motor shaft by means of a flexible jaw coupling. In operation, 60 hertz machines turn at just 1,800 rpm. This direct, in-line coupling results in low maintenance costs and considerable energy savings.



AUTOMATIC FLOW RATE CONTROL

As well as the classic "Load/No Load" mode, all of the models, are fitted with the special modulating proportional intake valve which allows air supply at a constant pressure and even offers the possibility of working without an air storage tank.

DURABLE AND QUIET

ERC Series are robust, resistant to corrosion and are particularly compact and ideal for installation in small spaces. The vane technology ensures safe and quiet operation even without a noise reducing outer canopy.

SIMPLE MAINTENANCE AND ACCESSIBLE

The absence of the outer canopy considerably facilitates all maintenance and service operations. The compressor requires no special foundations and its base has suitable lifting points for ease of installation.

Operating principle



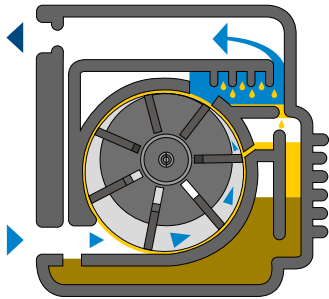
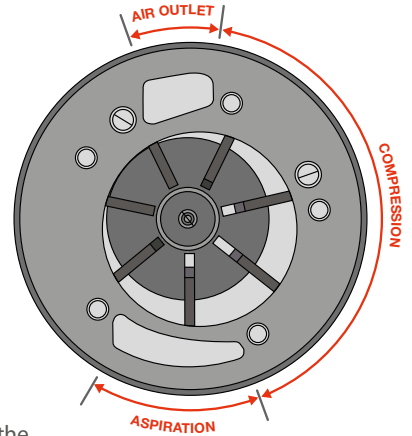
Maximum efficiency of the air compression process, excellent reliability and low running costs; are just some of the key benefits that rotary vane technology can offer.

The vane compressor is a volumetric rotary compressor that consists of a stator cylinder in which a rotor is mounted off-center but parallel to its sides. The rotor has slots in which the vanes are free to slide: centrifugal force keeps them in contact with the sides of the stator during rotation.

The rotary vane compressor, thanks to its **simple construction**, offers remarkable advantages, first among them being **greater volume yield** because the vanes are in constant contact with the inner wall

of the stator and form a perfectly airtight seal with no leaks along the wall thanks to a continuous film of oil. In this type of compressor no axial thrust is generated so the side surfaces of the rotor are not subject to wear and thus no rotating bearings or thrust bearings are needed. The vanes, too, because of the special way they are made have practically **unlimited life**.

Behind the success of Mattei compressors there is thus **extreme reliability, long life, quiet operation and simplicity of maintenance**. Design is important too: compactness and clean lines, together with harmonious shapes, give Mattei compressors an image of robustness and ease of use.



MATTEI ORIGINAL SPARE PARTS AND LUBRICANTS

Mattei Original Spare Parts and Mattei Rotoroil lubricants are made to very high design standards and conform to precise technical specifications. Only Mattei original spare parts allow you to be sure of maintaining over time the same levels of performance, reliability and safety of your Mattei product.

- Mattei Original Spare Parts are indispensable for the efficiency of your compressed air equipment;
- Parts are always available in stock;
- Quality tested and conforming to manufacturer specifications;
- Suitable for Mattei's recommended maintenance intervals.

A HIGH EFFICIENCY OIL SEPARATION

The separation of the lubrication oil from the compressed air takes place in multiple stages. A first separation occurs in the oil chamber as the air passes through a labyrinth path, then it continues at the separator inlet (before the filter) where the air flow slows down passing through a series of directional variations, and finally through the coalescing filter. Due to this superior separation system the oil carry over is extremely low, leading to improved separator life, greater protection for the application and reduced operating costs.



Technical data

Model	Tension V/Ph/Hz	Power		F.A.D.		Sound pressure level dB(A)	Pipe connections npt	Dimensions (L x W x H)			Weight lbs (net)
		HP	kW	PSIG	CFM			inch	inch	inch	
ERC SERIES - BASE MOUNT											
ERC 1-SX	230/1/60	2	1,5	145	5.1	67	1/2"	29	15,4	17	110
ERC 2-SX		3	2,2	145	6.7	67	1/2"	29	15,4	17	121
ERC 1-TX ⁽¹⁾	230/460/ 3/60	2	1,5	145	5.1	67	1/2"	29	15,4	17	110
ERC 2-TX ⁽¹⁾		3	2,2	145	6.7	67	1/2"	29	15,4	17	121

Working pressures: 138 psi for 145 psi version

Model	Motor Type	Tension V/Ph/Hz	Power		F.A.D.		Sound pressure level dB(A)	Pipe connections npt	Dimensions (L x W x H)			Weight lbs (net)
			HP	kW	PSIG	CFM			inch	inch	inch	
ERC SERIES - BASE MOUNT												
ERC 504s	TEFC	230/1/60	5	4	125	23	73	1/2"	41	17	26	400
ERC 505s	TEFC		7.5	5.5	125	33	73	1/2"	41	17	26	410
ERC 504L	TEFC	208-230/ 460,575/ 3/60	5	4	125	23	73	1/2"	41	17	26	400
ERC 505L	TEFC		7.5	5.5	125	33	73	1/2"	41	17	26	410
ERC 507L	TEFC	200,230/ 460,575/ 3/60	10	7.5	125	43	77	3/4"	52	21	32	460
ERC 511L	TEFC		15	11	125	67	78	3/4"	52	21	32	570
ERC 515L	TEFC	25	15	125	75	77	3/4"	52	21	32	620	
ERC 1018L	TEFC		18	125	105	81	1"	58	22	35	900	
ERC 1022L	TEFC	30	22	125	129	81	1"	58	22	35	940	
ERC 1030L	TEFC	40	30	125	154	81	1"	62	24	39	1050	
ERC 2037L	ODP	230/460,575/ 3/60	50	37	115	212	85	1-1/2"	78	33	48	1420
ERC 2045L	ODP		60	45	115	260	86	1-1/2"	78	33	48	1420
ERC 2037L	TEFC		50	37	115	212	85	1-1/2"	78	33	48	1420
ERC 2045L	TEFC		60	45	115	260	86	1-1/2"	78	33	48	1420

Working pressures: 109 psig for 115 psig version - 117 psig for 125 psig version

Models 504s through 515L available on 80 gallon tank
Length x Width x Height: 53 x 30 x 51 inch
Weight: 750 ÷ 920 lbs

Models 504s through 515L available on 120 gallon tank
Length x Width x Height: 57 x 30 x 55 inch
Weight: 825 ÷ 995 lbs

Note: ETL or CSA agency approval is available. Must be specified at time of order in writing on initial purchase order. May affect lead times.



Get MyCare 6&10 Extended Warranty Coverage

Standard warranty is one (1) year, bumper-to-bumper covering parts and labor against defects in materials and workmanship. In addition, your ERC direct-drive air compressor is eligible for our MyCare 6 & 10 extended warranty program at NO additional cost to you.



WHAT YOU GAIN WITH MYCARE 6 & 10

The MyCare 6 program doubles the bumper-to-bumper protection to two (2) years and, covers the major components: Motor, Coolers, Controller, Oil Separator Tank, Inverter and Rotor Stator Unit (RSU or Airend), for a total of six (6) years. The MyCare 10 component is offered for our direct-drive industrial compressors and covers the Rotor Stator Unit (RSU or Airend) for an additional three (3) years, years seven (7) through ten (10).

HOW YOU GET MYCARE 6 & 10

To choose your **MyCare 6&10** extended warranty plan, simply check the MyCare 6 & 10 box during the start-up and commissioning process for your new Mattei air compressor as performed by a local Authorized Mattei Distributor.

MYCARE 6 & 10: TAILORED TO YOUR NEEDS

The program is built around your specific environment and anticipated hours of operation.

Authorized Mattei Distributors, are factory trained to ensure you get fast courteous service. They know what to look for to ensure you place your compressor in the best possible environment to ensure years of great service from your Mattei. The Technicians that inspect, start-up and commission your Mattei are experienced in recommending the proper service program based on your specific environment. They want to get the job done quickly and correctly and will only recommend service intervals that they know will keep you happy and up and running between scheduled visits.

YOUR GOAL IS OUR GOAL

Our mutual goal is to ensure that your investment is properly maintained. This allows us to guarantee you will get the longest service life out of it while enjoying the lowest operating costs for years to come.

Mattei, simply wants you to benefit from the peace-of-mind in knowing that Mattei and your local Distributor have your best interests at heart right from the start.

GENUINE ORIGINAL PARTS & LUBRICANTS

Mattei compressors are engineered for many years of service. Our lubricants are engineered and custom blended to ensure that those lifetime-rated blades ride on a thin film of lubricant to prevent any wear and tear to the compressor. Authorized Mattei Service Centers employ qualified service engineers that carry specific tooling and stock Genuine Mattei Parts and Lubricants made to very high design standards that conform to exact technical specifications. Only through the use of Genuine Mattei Parts and Lubricants can you be guaranteed the protection you deserve and the highest levels of performance, reliability, safety and the lower energy costs of the future that were originally engineered into your Mattei air compressor.





ITALY - ING. ENEA MATTEI SpA

Strada Padana Superiore, 307
20055 VIMODRONE (MI)
Tel + 39 02253051 - Fax +39 0225305243
E-mail: info@matteigroup.com

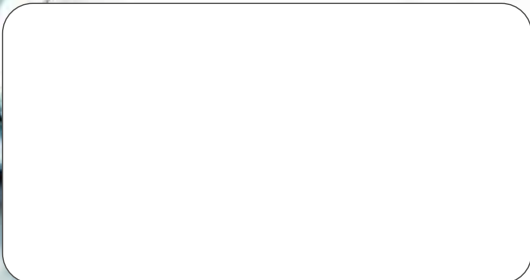
USA - MATTEI COMPRESSORS Inc

9635 Liberty Road, suite E
Randallstown, MD 21133
Phone +1 410 5217020 - Fax +1 410 5217024
E-mail: info@matteigroup.com

www.matteigroup.com



UNI EN ISO 9001:2015



REV.2

FRANCE

MATTEI COMPRESSEURS
Phone +33 5 35 54 22 05 - Fax +33 9 72 31 68 33
E-MAIL: info@matteigroup.com - www.mattei.fr

GERMANY

MATTEI KOMPRESSOREN DEUTSCHLAND GmbH
Phone +49 07191 - 933801
E-MAIL: mde.info@matteigroup.com

GREAT BRITAIN

MATTEI COMPRESSORS Ltd
Phone +44 (0)1789 450577 - Fax +44 (0)1789 450698
E-MAIL: muk.info@matteigroup.com - www.mattei.co.uk

RUSSIA AND CIS COUNTRIES

ING. ENEA MATTEI SpA
Phone +7 499 1124877
E-MAIL: mattei-rus@mail.ru

SPAIN

ING. ENEA MATTEI SpA
Phone + 39 02253051 - Fax +39 0225305243
E-MAIL: info@matteigroup.com

PEOPLE'S REPUBLIC OF CHINA

Mattei (SuZhou) Air Compressors Manufacturing Co., Ltd
WFOE by Ing. Enea Mattei SpA - Italy
Tel: +86 512 66679986 Fax: +86 512 66679989
E-MAIL: sales.china@matteigroup.com - www.matteisuzhou.cn