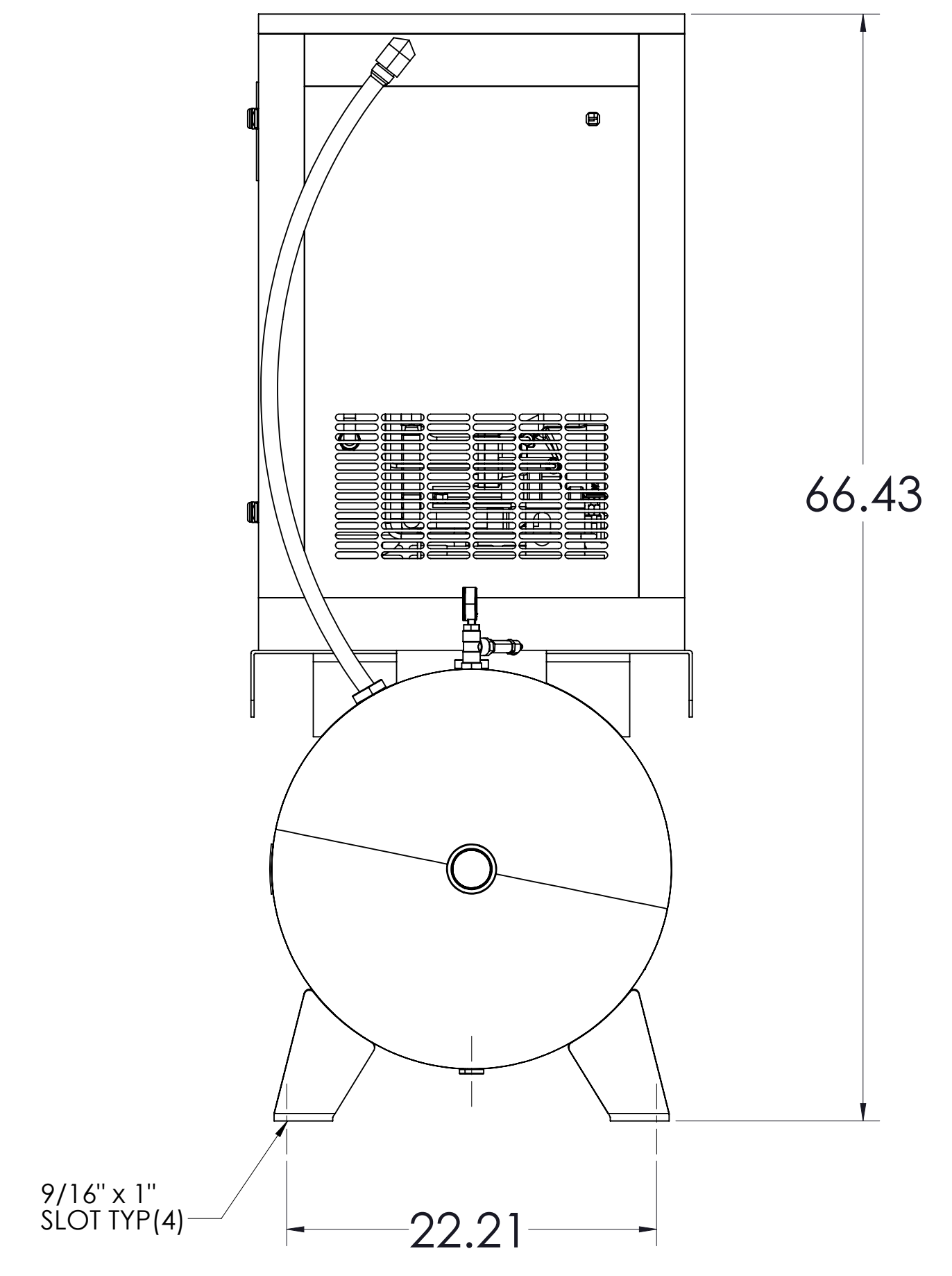
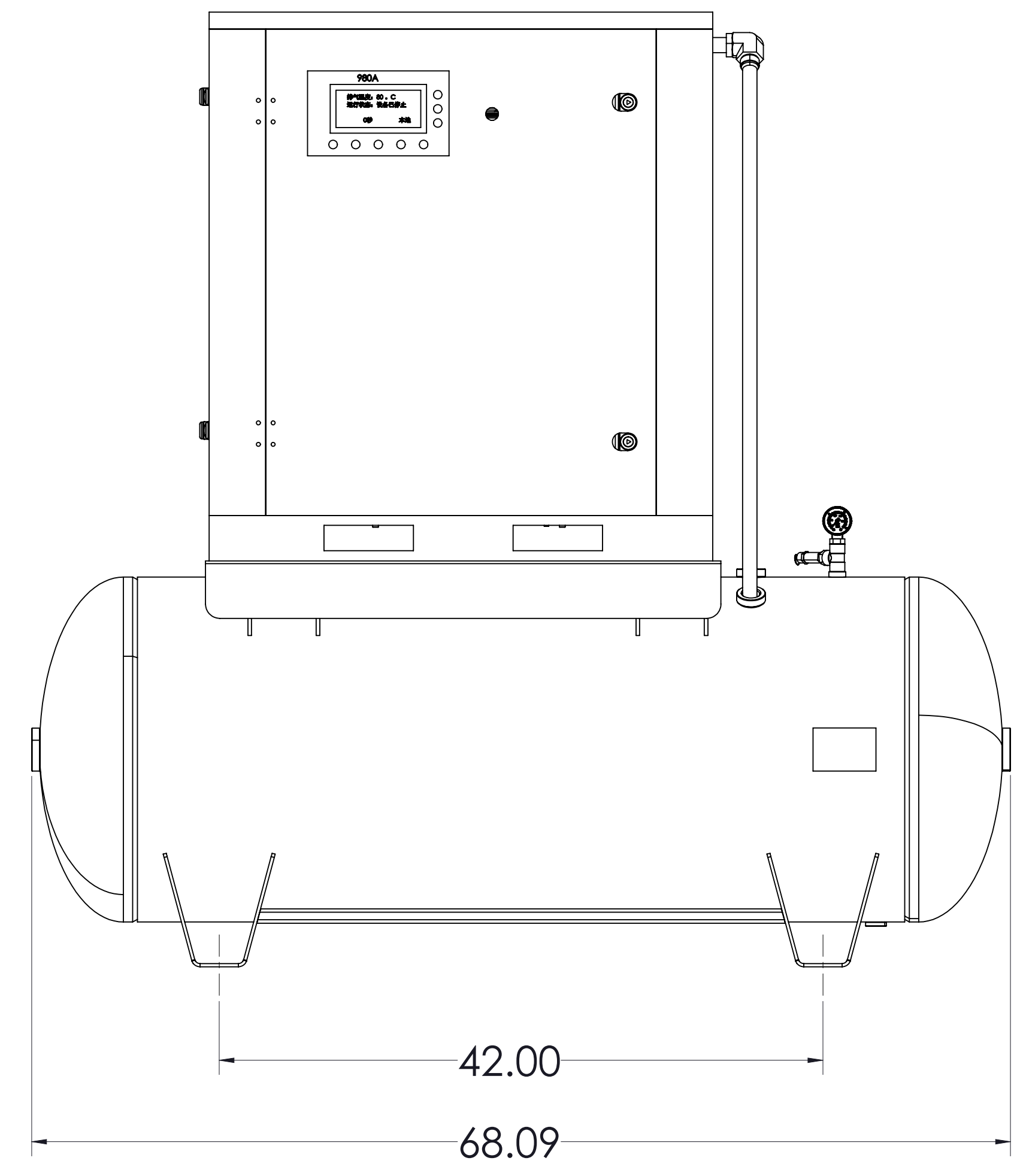
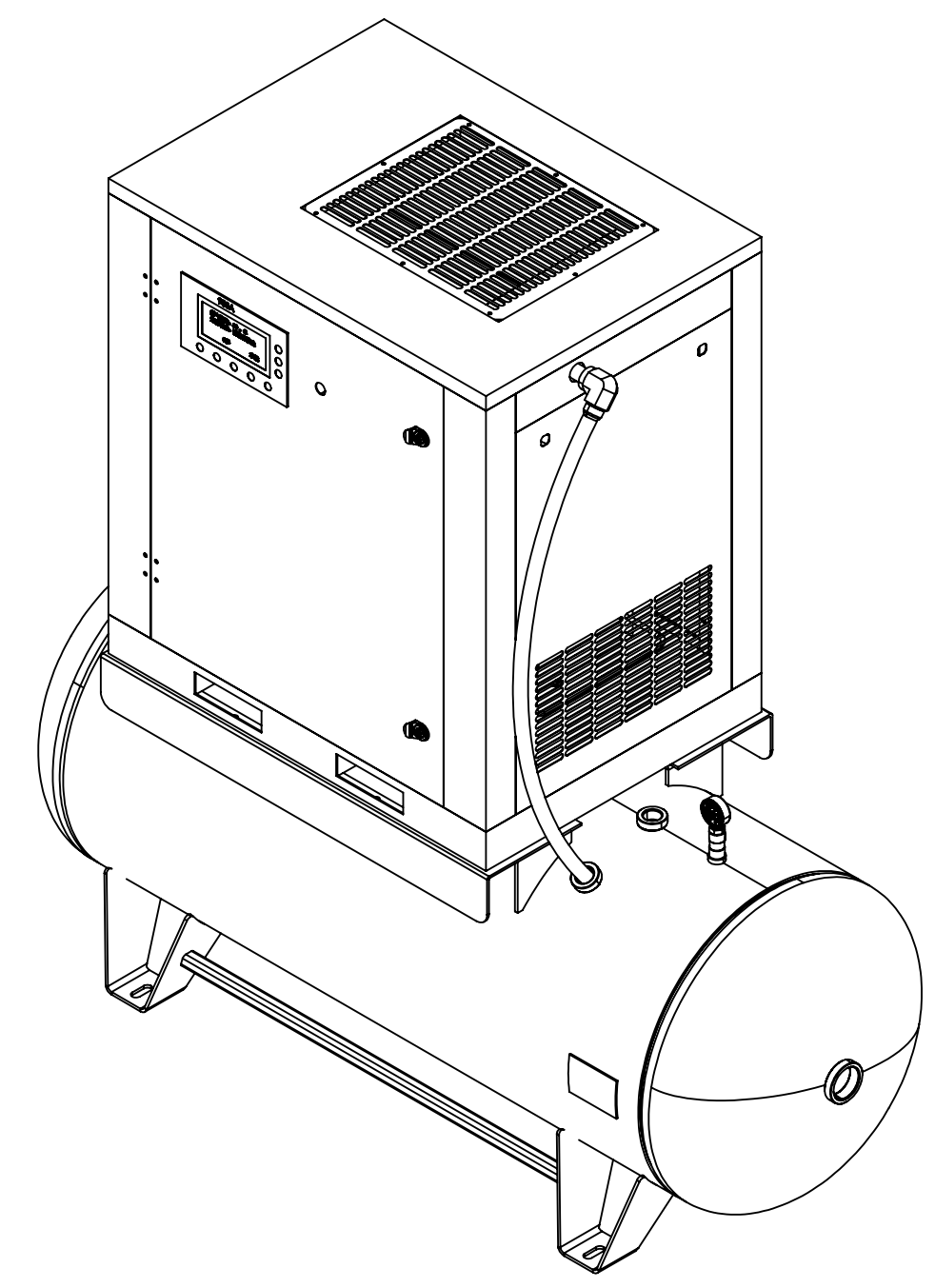
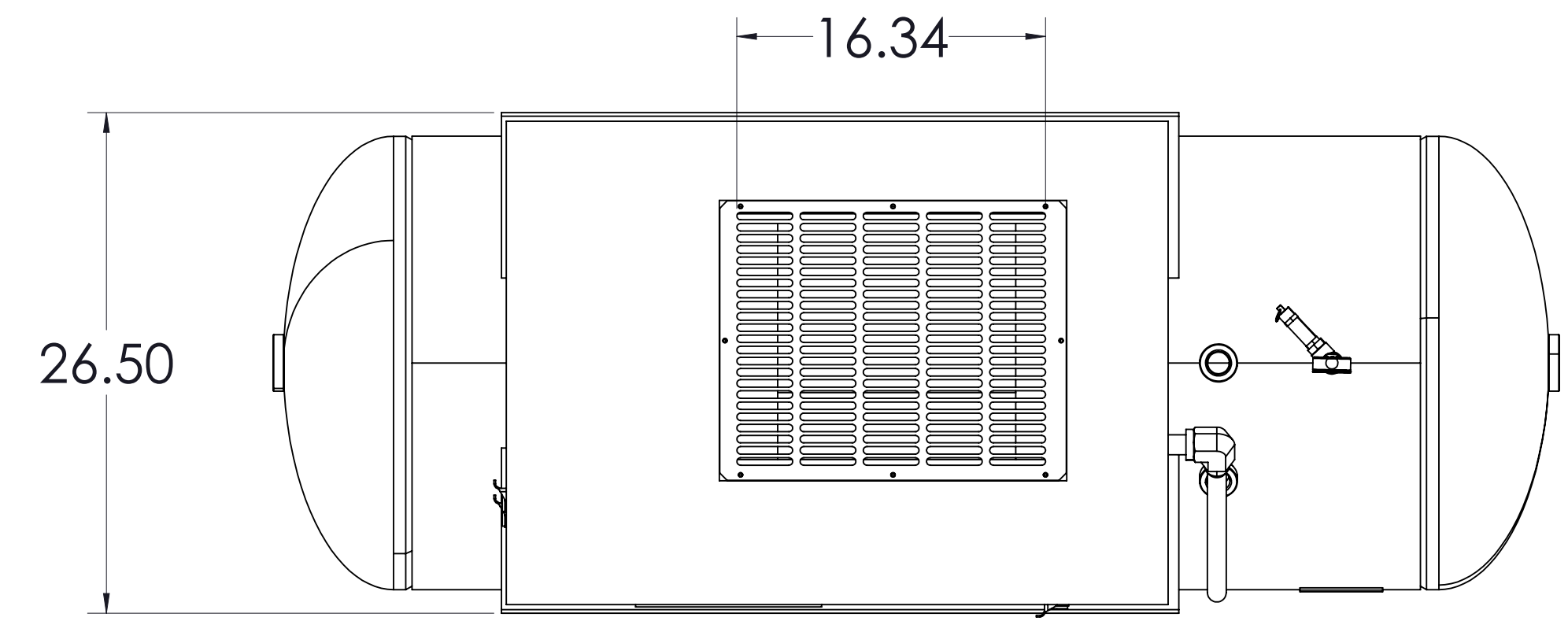


8 7 6 5 4 3 2 1

ZONE		REV.	REVISIONS DESCRIPTION	DATE	APVD



<p>KAISHAN</p> <p>PROPRIETARY AND CONFIDENTIAL</p> <p>THE INFORMATION CONTAINED IN THIS DRAWING IS THE SOLE PROPERTY OF KAISHAN COMPRESSOR. ANY REPRODUCTION IN PART OR AS A WHOLE WITHOUT THE WRITTEN PERMISSION OF KAISHAN COMPRESSOR IS PROHIBITED.</p>	<p>UNLESS OTHERWISE SPECIFIED:</p> <p>DIMENSIONS ARE IN IN</p> <p>TOLERANCES:</p> <p>SURFACE FINISH 3.2</p> <p>ANGULAR: MACH 5</p> <p>BEND 1.75</p> <p>TWO PLACE DECIMAL ±0.25</p> <p>THREE PLACE DECIMAL ±0.130</p> <p>INTERPRET GEOMETRIC TOL. (FRANCING PER. ANSI Y14.5 MATERIAL)</p>	<table border="1"> <tr> <th>NAME</th> <th>DATE</th> </tr> <tr> <td>DRAWN AKF</td> <td>12/12/22</td> </tr> <tr> <td>CHECKED</td> <td></td> </tr> <tr> <td>APPR.</td> <td></td> </tr> </table>	NAME	DATE	DRAWN AKF	12/12/22	CHECKED		APPR.		<p>Kaishan Compressor USA, LLC</p> <p>TITLE: KRSBT-5/7.5 SINGLE PHASE NO DRYER</p>
	NAME	DATE									
DRAWN AKF	12/12/22										
CHECKED											
APPR.											
<p>FINISH</p> <p>3RD ANGLE PROJECTION</p> <p>1ST USED ON:</p>	<p>DO NOT SCALE DRAWING</p>	<p>SIZE DWG. NO. REV</p> <p>D 180001-028 A</p> <p>SCALE: 1:20 WGT: 1772.33kg SHEET 1 OF 1</p>									

8 7 6 5 4 3 2 1