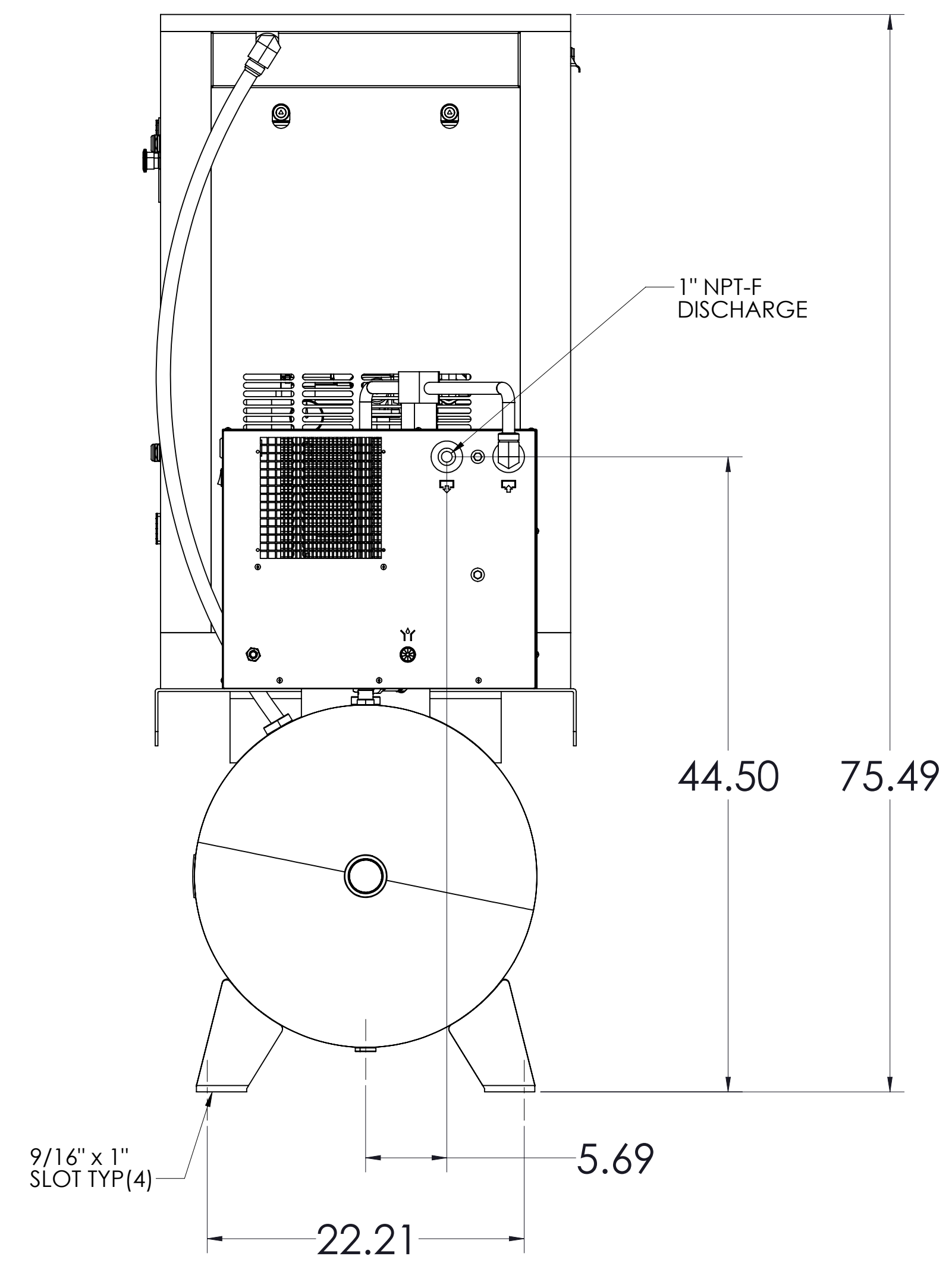
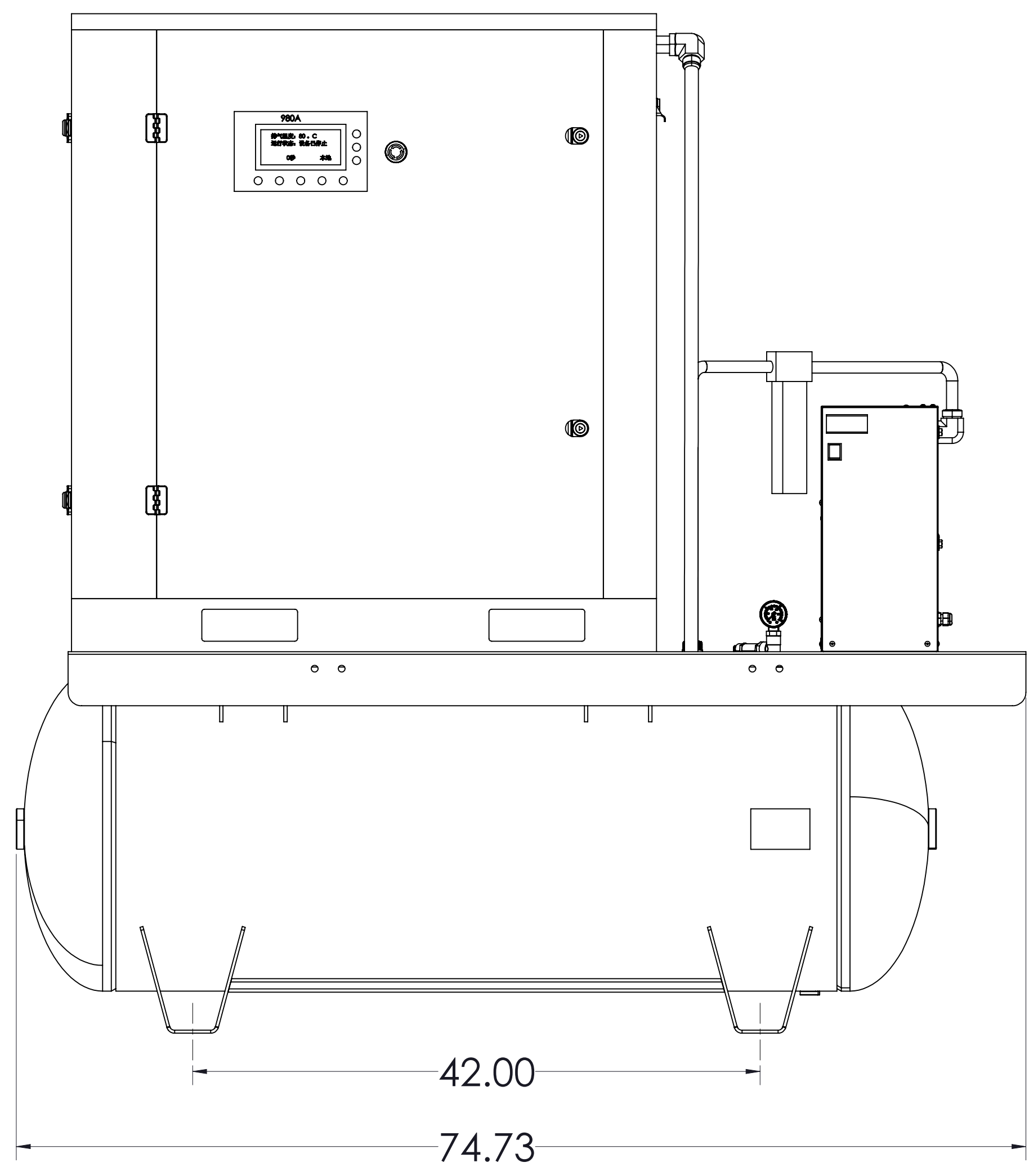
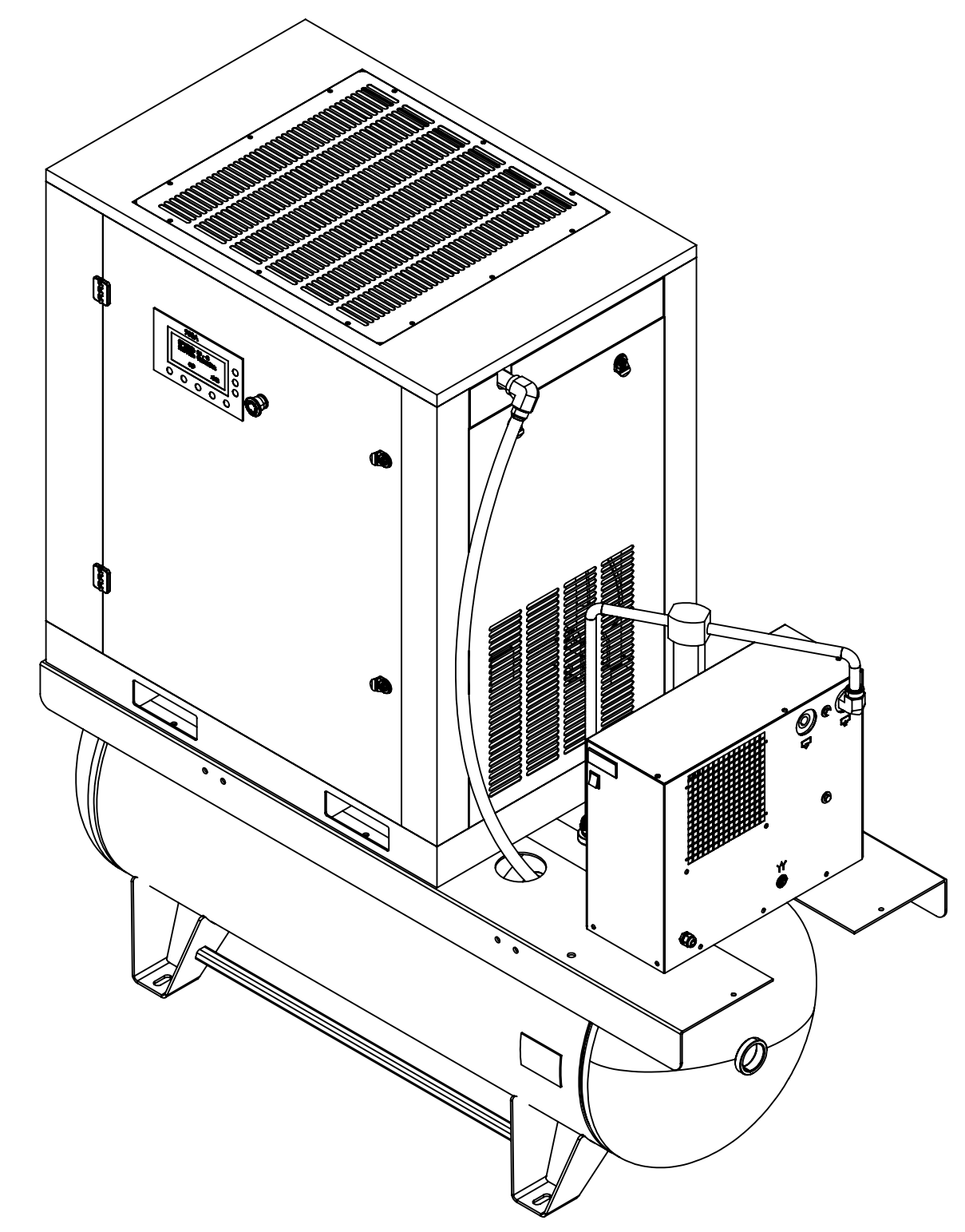
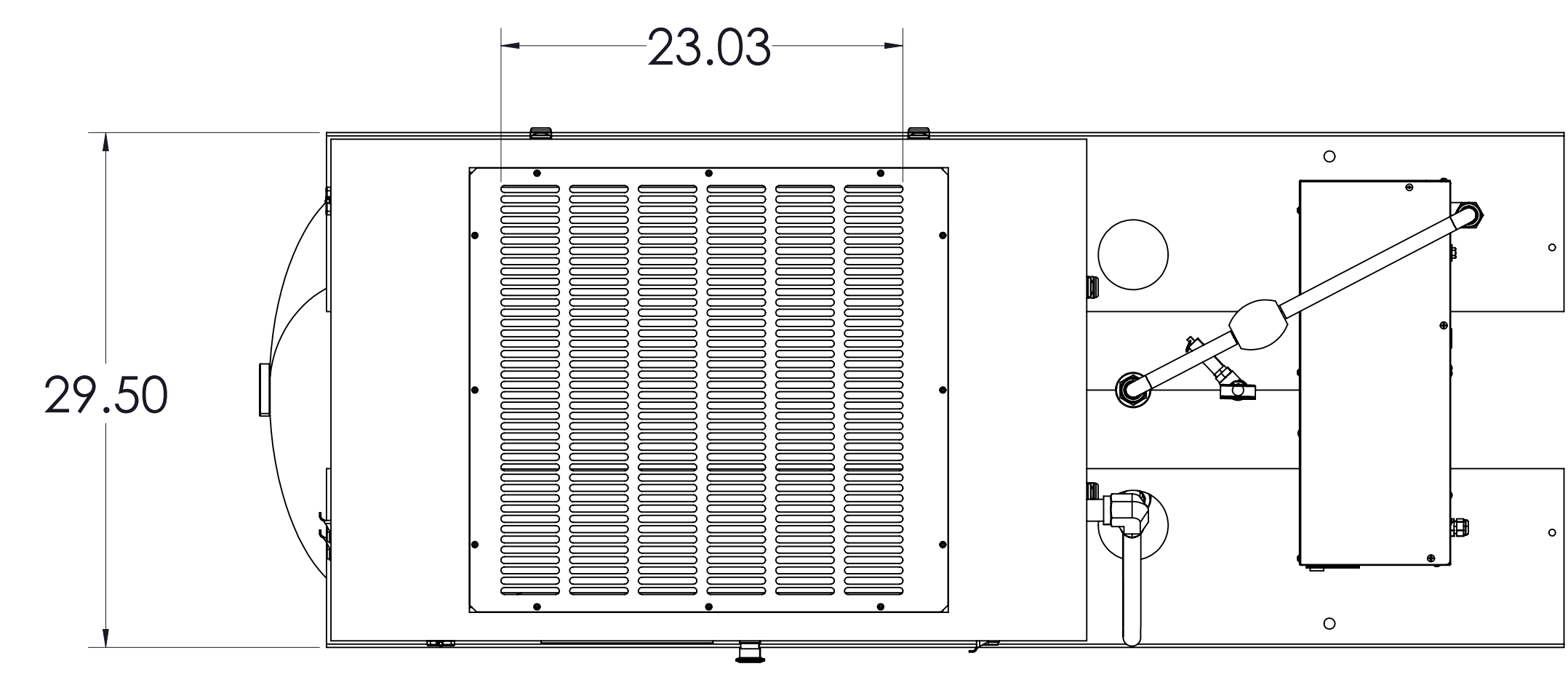


8 7 6 5 4 3 2 1

ZONE		REV.	DESCRIPTION	DATE	APVD



	UNLESS OTHERWISE SPECIFIED:	NAME	DATE	<b>Kaishan Compressor USA, LLC</b> TITLE: <b>KRSBT30</b>
	DIMENSIONS ARE IN IN TOLERANCES: SURFACE FINISH 3.2 ANGULAR: MACH 5 BEND 1.75 TWO PLACE DECIMAL ±0.25 THREE PLACE DECIMAL ±0.130 INTERPRET GEOMETRIC TOL BRACING PER: ANSI Y14.5 MATERIAL	DRAWN	AKF	
FINISH	3RD ANGLE PROJECTION	CHECKED		SIZE DWG. NO. <b>D 180001-007</b> REV <b>B</b> SCALE: 1:20 WGT: 1679.36kg SHEET 1 OF 1
PROPRIETARY AND CONFIDENTIAL THE INFORMATION CONTAINED IN THIS DRAWING IS THE SOLE PROPERTY OF KAISHAN COMPRESSOR. ANY REPRODUCTION IN PART OR AS A WHOLE WITHOUT THE WRITTEN PERMISSION OF KAISHAN COMPRESSOR IS PROHIBITED.	1ST USED ON:	APPR.	DO NOT SCALE DRAWING	

8 7 6 5 4 3 2 1