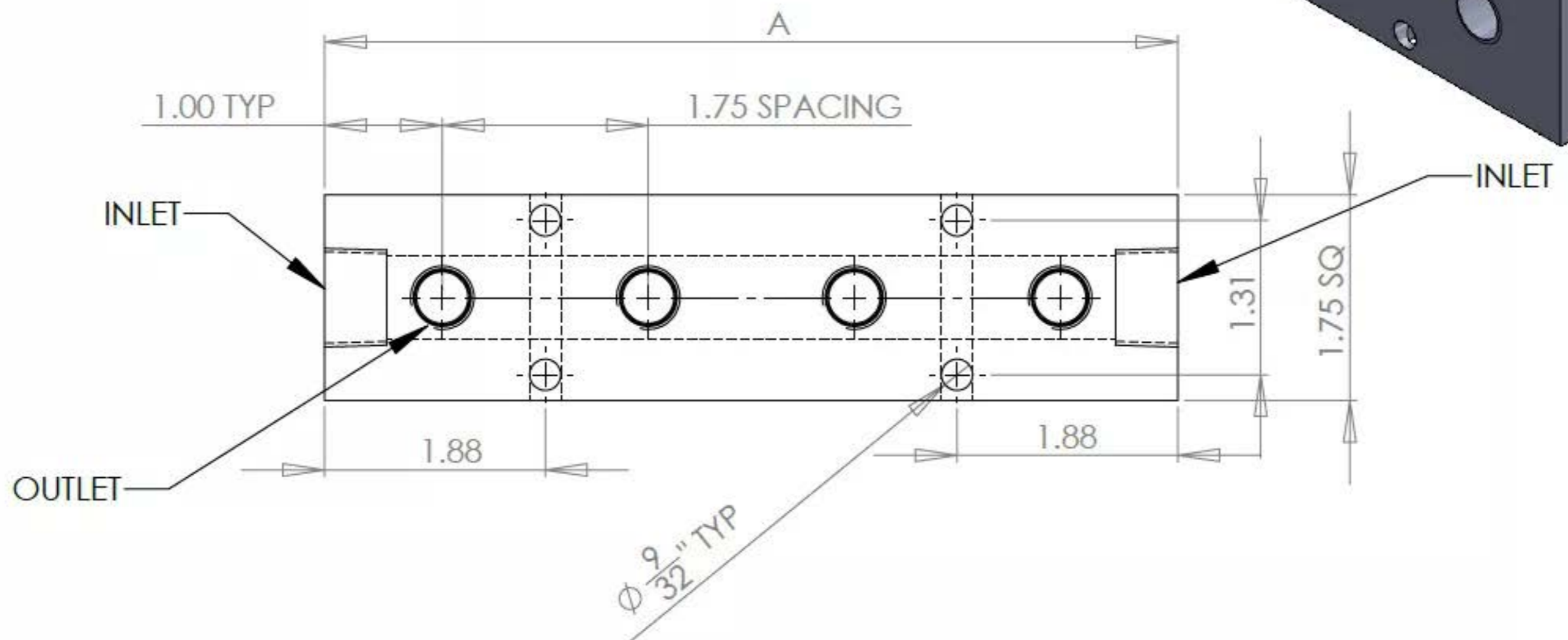
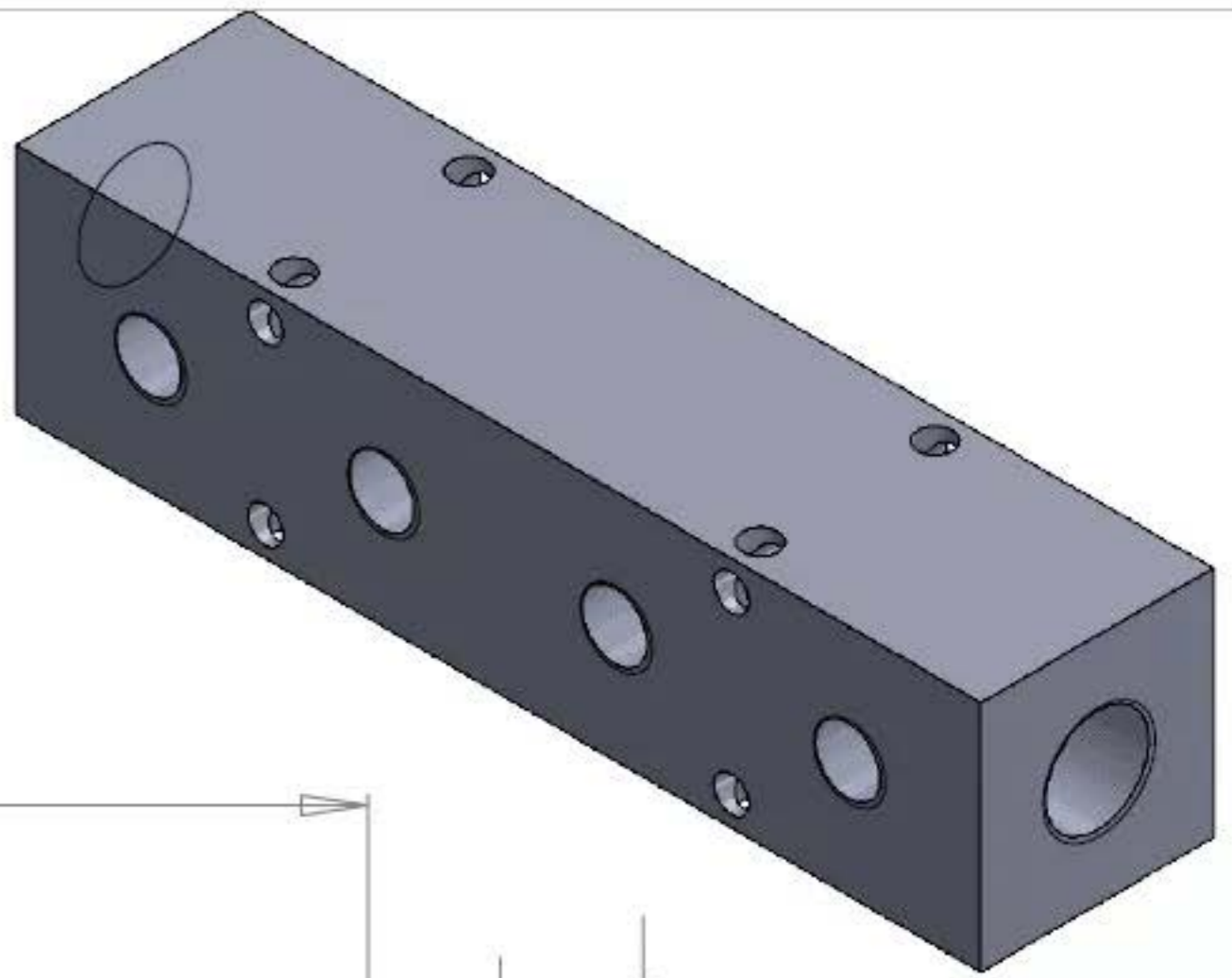
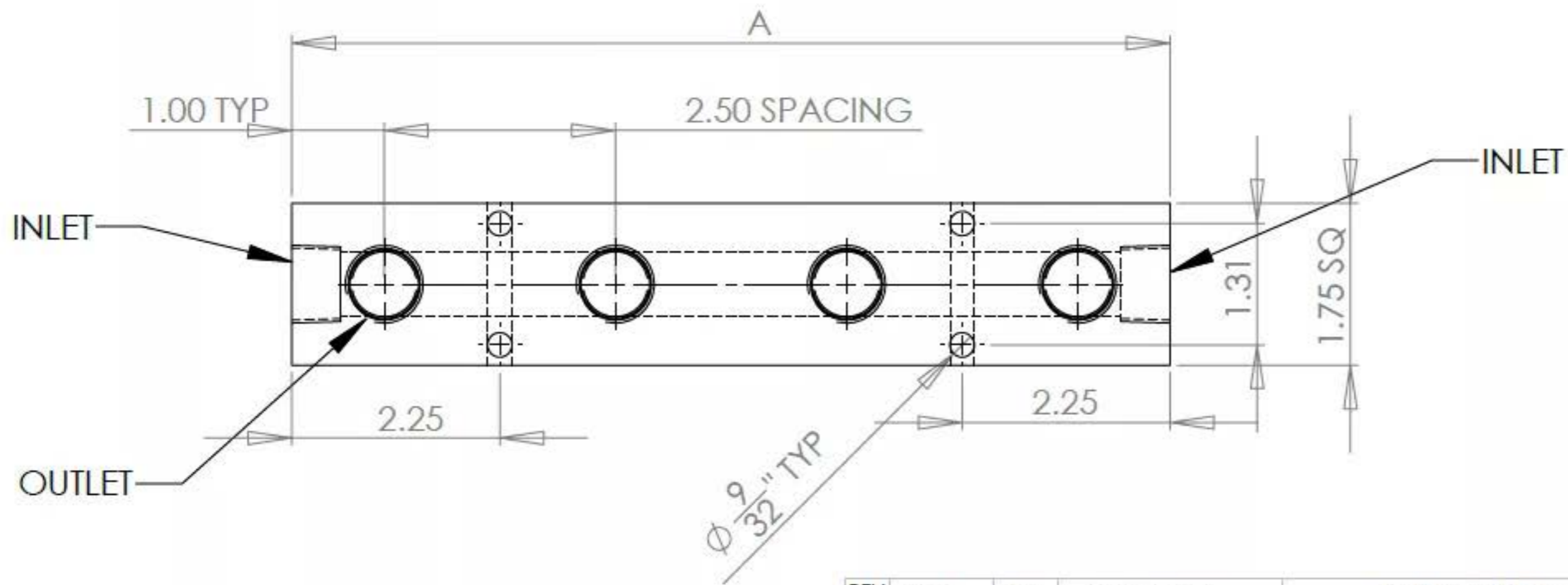
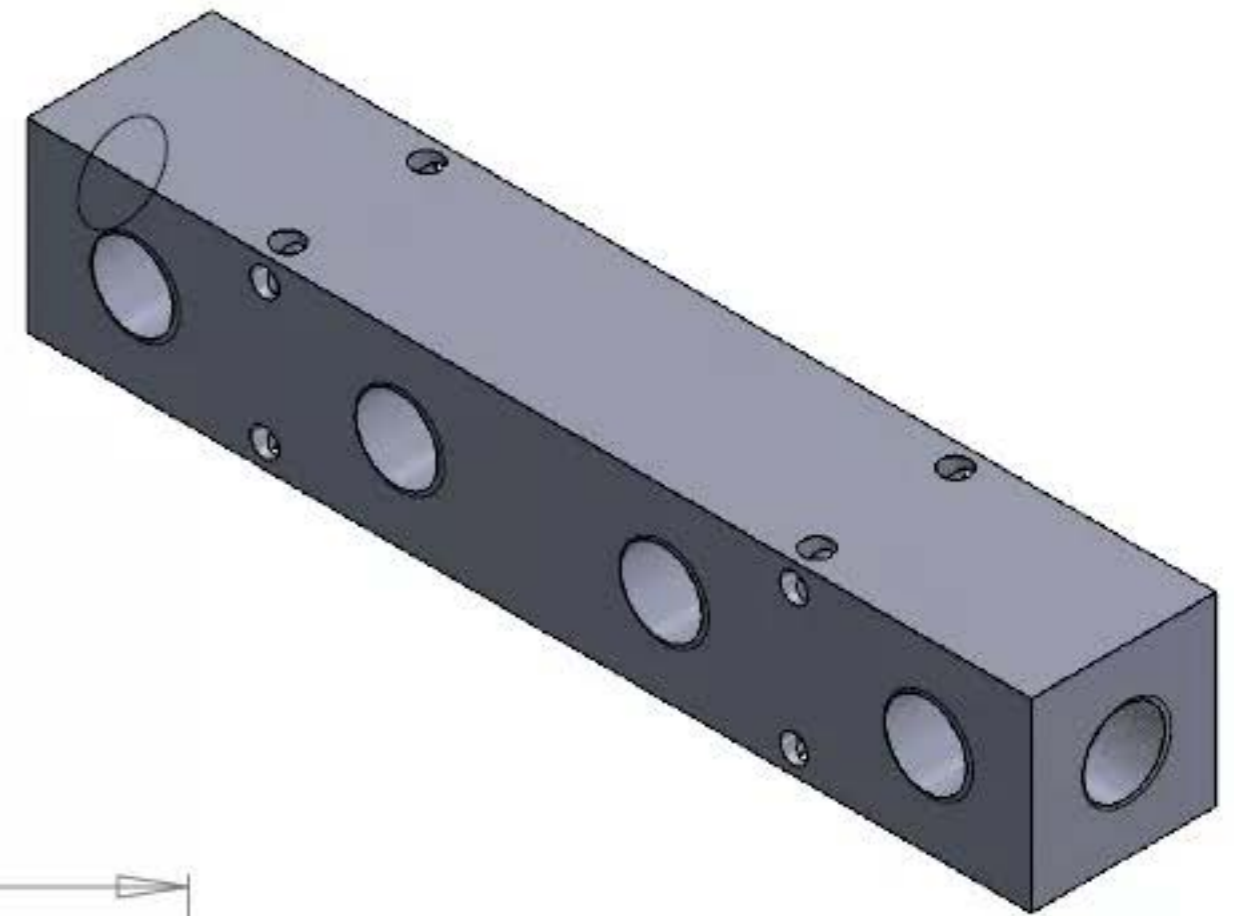


PART#	# Ports	INLET	OUTLET	A
H-50-25-4	4	1/2 NPT	1/4 NPT	7.25
H-50-25-5	5	1/2 NPT	1/4 NPT	9.00



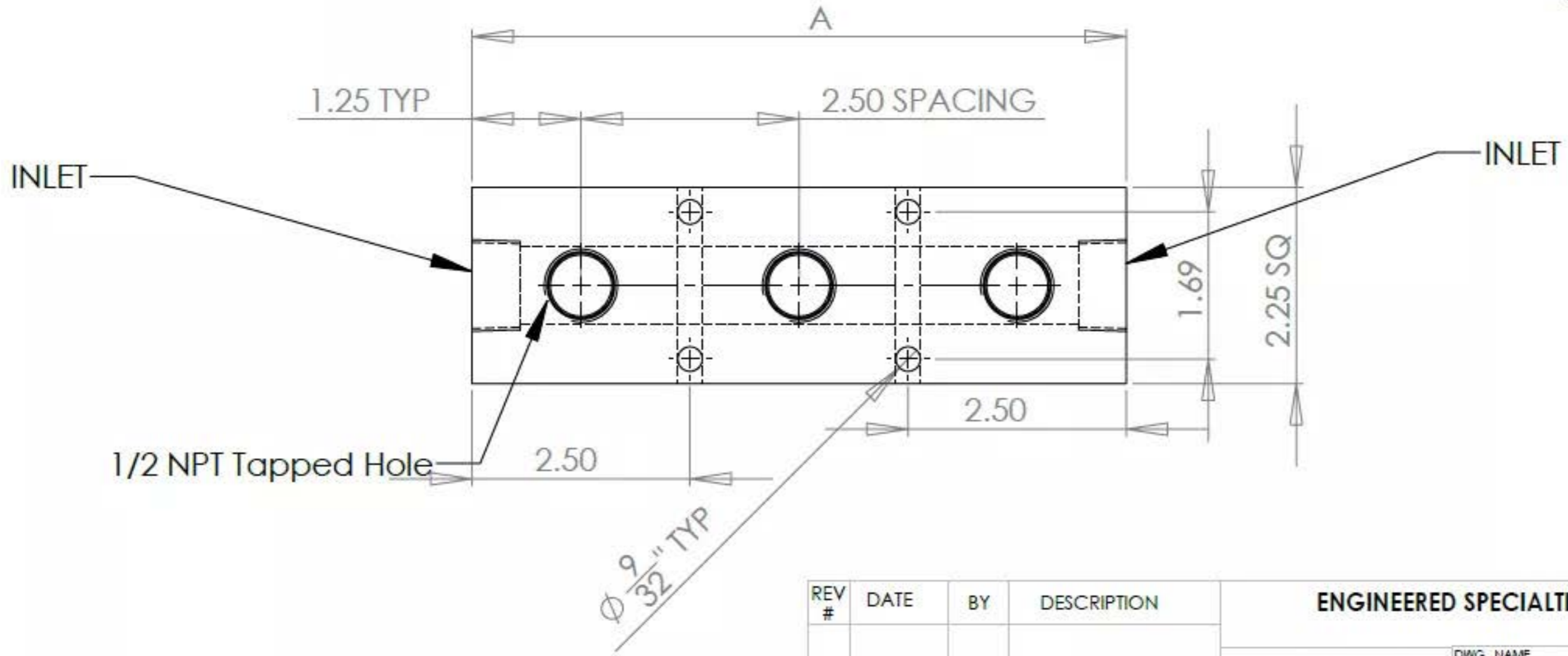
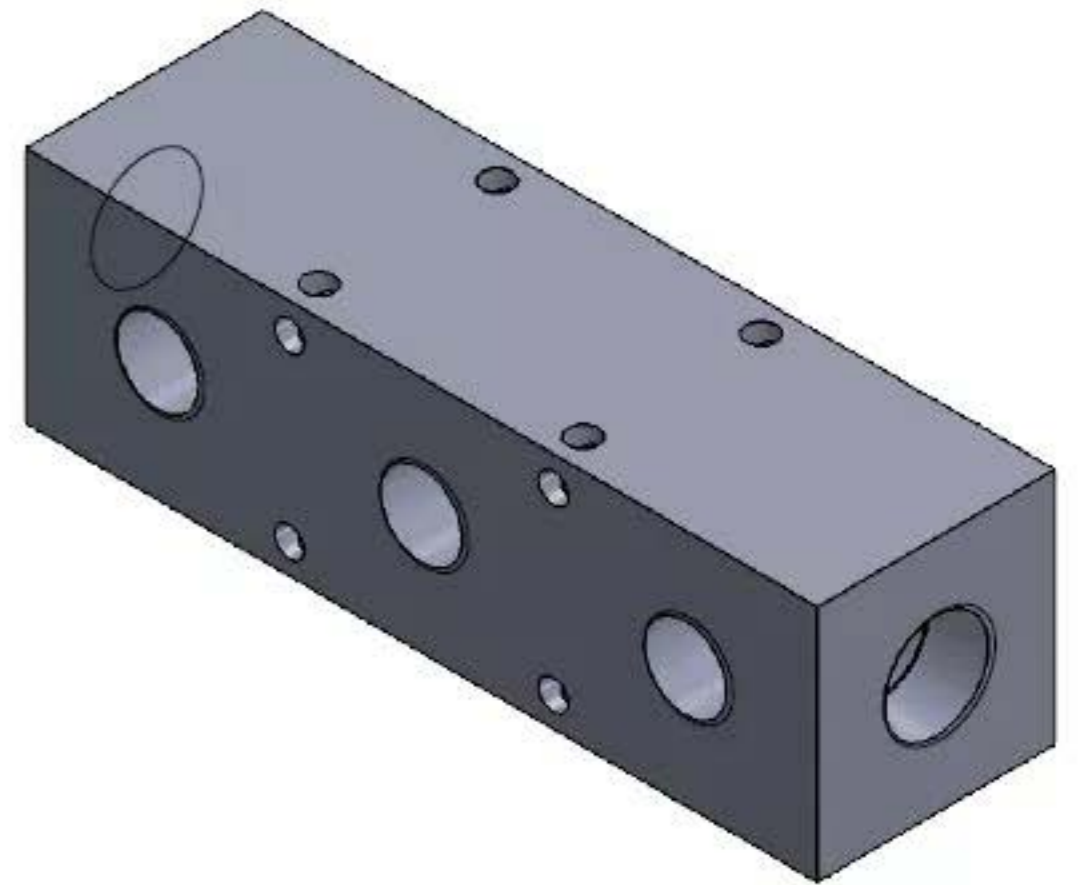
REV #	DATE	BY	DESCRIPTION	ENGINEERED SPECIALTIES, LLC	
				TOLERANCES UNLESS OTHERWISE SPECIFIED FRACTION OF WHOLE ±.030 TWO DIGIT DECIMAL ±.010 THREE DIGIT DECIMAL ±.003 FOUR DIGIT DECIMAL ±.0005 ANGLE ±1°	DWG. NAME 1/2" MANIFOLD
					DWG. NO. H-50-25
					MATERIAL 6061 ALUM
					FINAL FINISH STRAIGHT SAND
#	XX-XX-XX	XXX	X		DRAWN BY CAR
					DATE 7-15-2014

PART#	# Ports	INLET	OUTLET	A
H-50-50-4	4	1/2 NPT	1/2 NPT	9.50
H-50-50-5	5	1/2 NPT	1/2 NPT	12.00



REV #	DATE	BY	DESCRIPTION	ENGINEERED SPECIALTIES, LLC	
				DWG. NAME 1/2" MANIFOLD	
				DWG. NO. H-50-50	
				MATERIAL 6061 ALUM	
				FINAL FINISH STRAIGHT SAND	
1	1-2018	acr	increased spacing	TOLERANCES UNLESS OTHERWISE SPECIFIED FRACTION OF WHOLE ±.030 TWO DIGIT DECIMAL ±.010 THREE DIGIT DECIMAL ±.003 FOUR DIGIT DECIMAL ±.0005 ANGLE ±1°	DRAWN BY CAR
					DATE 7-15-2014

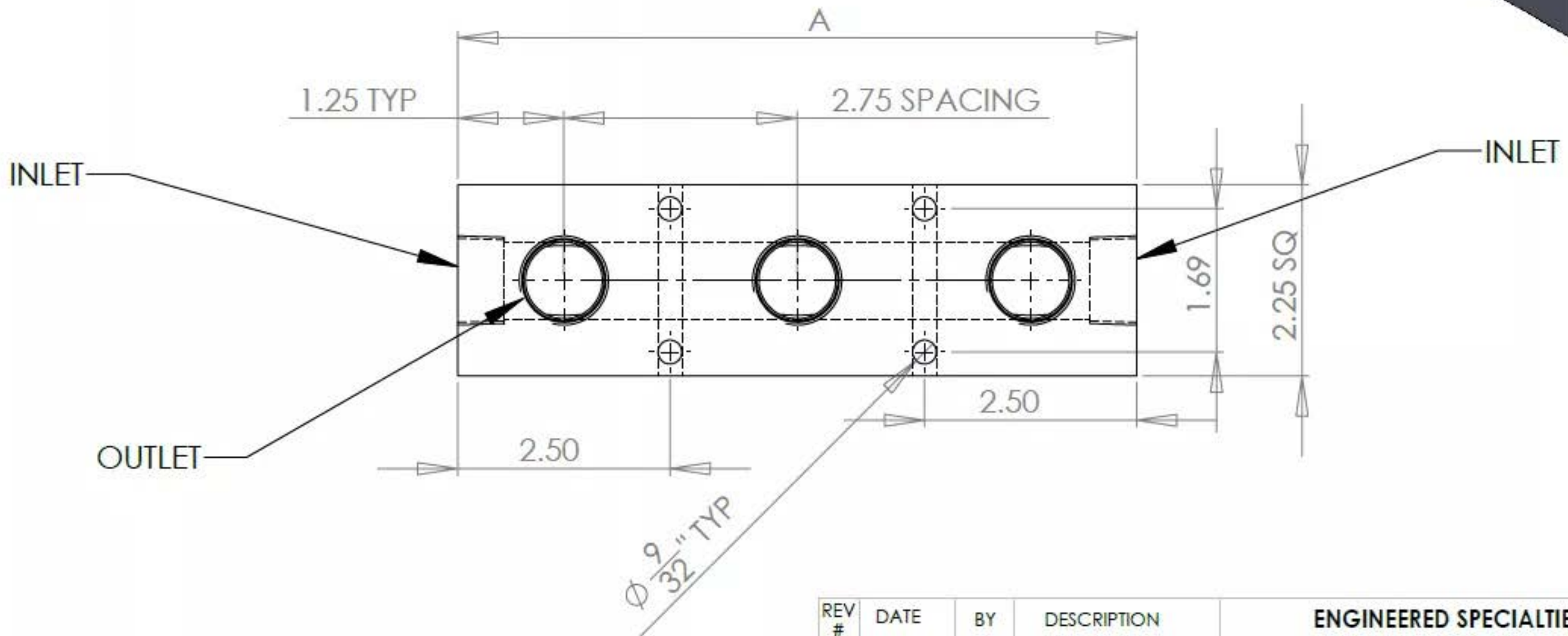
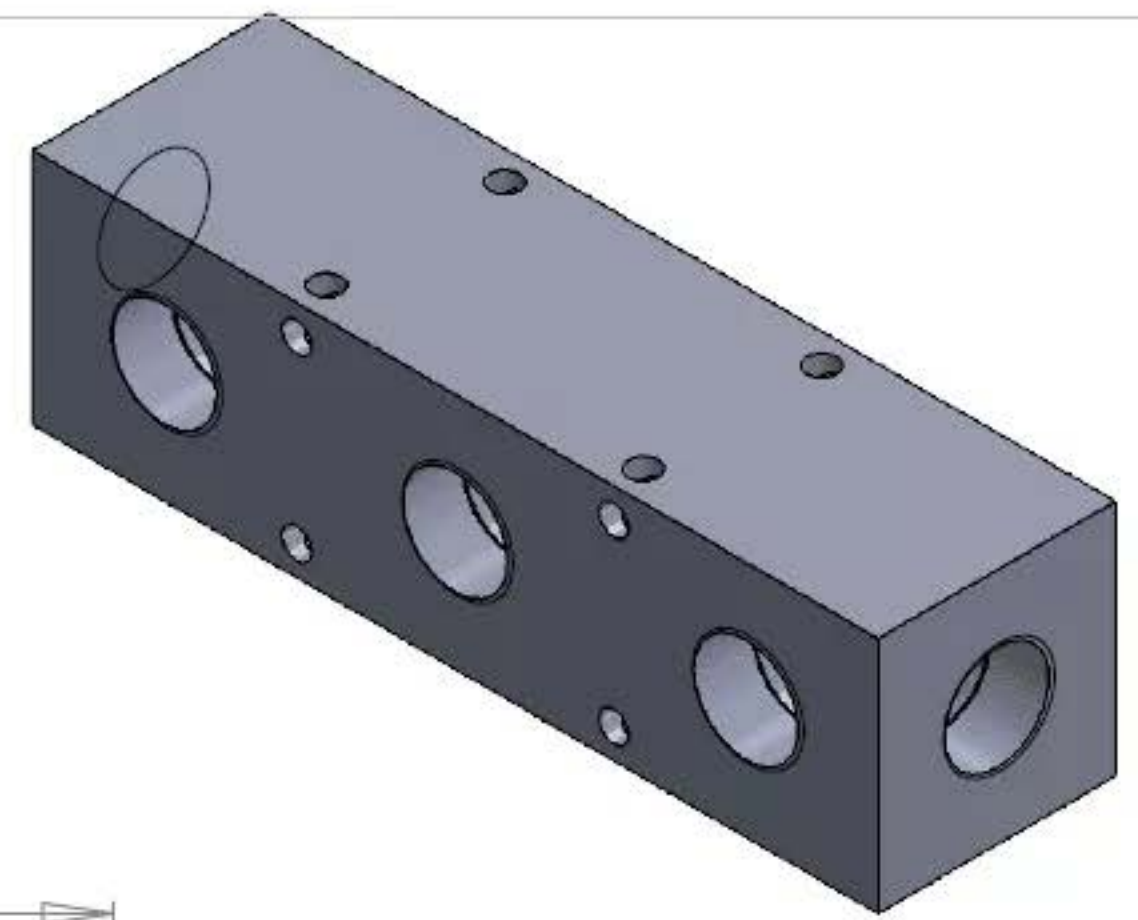
PART #	# PORTS	INLET	OUTLET	A
H-75-50-3	3	3/4 NPT	1/2 NPT	7.50
H-75-50-4	4	3/4 NPT	1/2 NPT	10.00
H-75-50-5	5	3/4 NPT	1/2 NPT	12.50



REV #	DATE	BY	DESCRIPTION
#	XX-XX-XX	XXX	X

ENGINEERED SPECIALTIES, LLC	
TOLERANCES UNLESS OTHERWISE SPECIFIED	DWG. NAME 3/4" MANIFOLD
FRACTION OF WHOLE ±.030	DWG. NO. H-75-50
TWO DIGIT DECIMAL ±.010	MATERIAL 6061 ALUM
THREE DIGIT DECIMAL ±.003	FINAL FINISH STRAIGHT SAND
FOUR DIGIT DECIMAL ±.0005	DRAWN BY CAR
ANGLE ±1°	DATE 7-15-2014

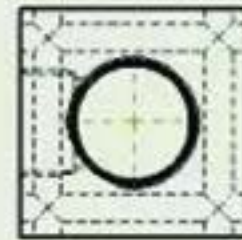
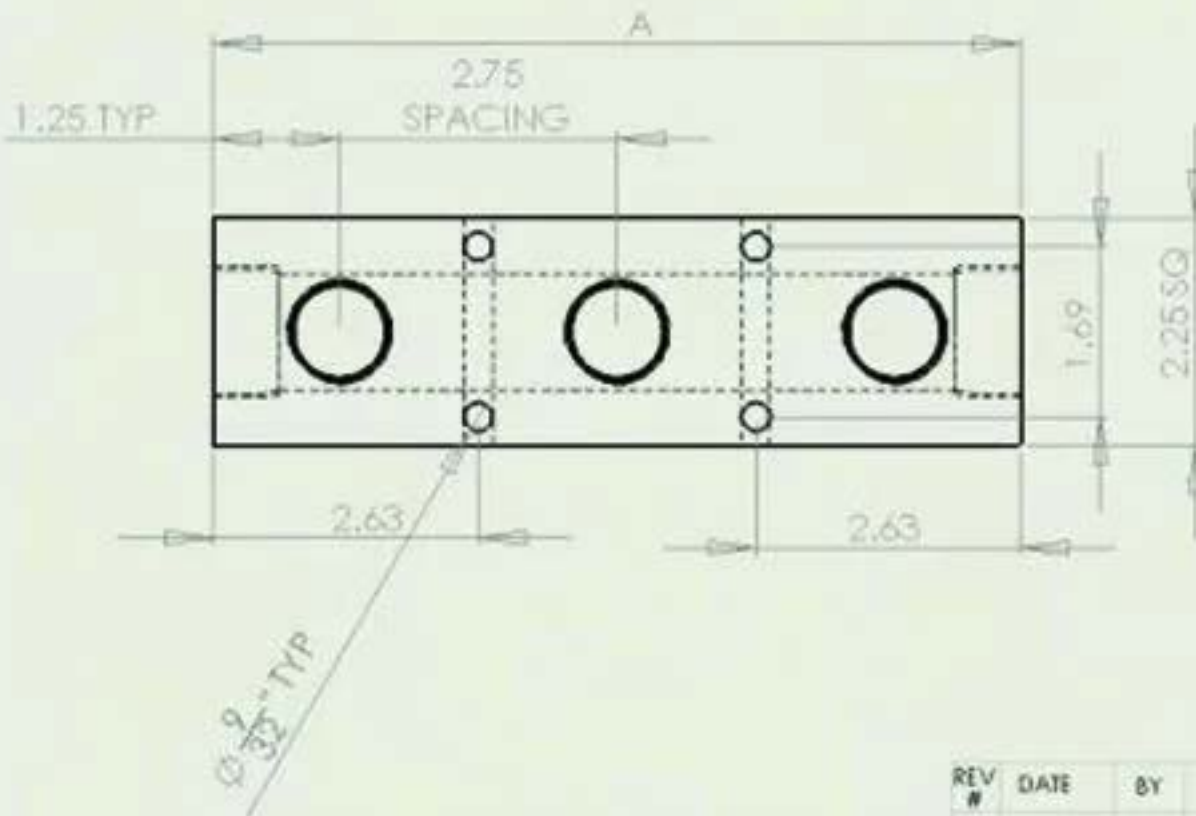
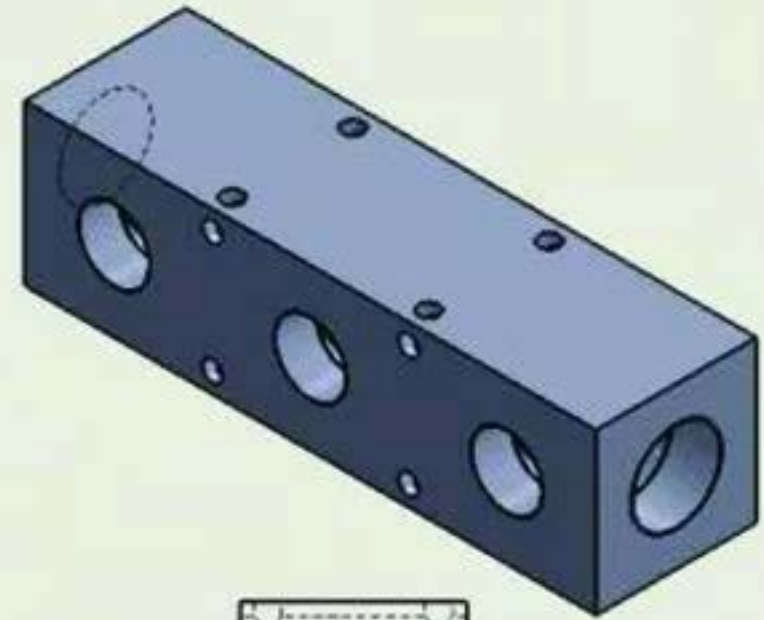
PART #	# PORTS	INLET	OUTLET	A
H-75-75-3	3	3/4 NPT	3/4 NPT	8.00
H-75-75-4	4	3/4 NPT	3/4 NPT	10.75
H-75-75-5	5	3/4 NPT	3/4 NPT	13.50



REV #	DATE	BY	DESCRIPTION
1	1-2018	acr	increased spacing to 2.75

ENGINEERED SPECIALTIES, LLC	
TOLERANCES UNLESS OTHERWISE SPECIFIED	DWG. NAME 3/4" MANIFOLD
FRACTION OF WHOLE ±.030	DWG. NO. H-75-75
TWO DIGIT DECIMAL ±.010	MATERIAL 6061 ALUM
THREE DIGIT DECIMAL ±.003	FINAL FINISH STRAIGHT SAND
FOUR DIGIT DECIMAL ±.0005	DRAWN BY CAR
ANGLE ±1°	DATE 7-15-2014

PART#	# 1/2 Ports	INLET	OUTLET	A
H-100-75-3	3	1" NPT	3/4 NPT	8.00
H-100-75-4	4	1" NPT	3/4 NPT	10.75
H-100-75-5	5	1" NPT	3/4 NPT	13.50



REV #	DATE	BY	DESCRIPTION

ENGINEERED SPECIALTIES, LLC