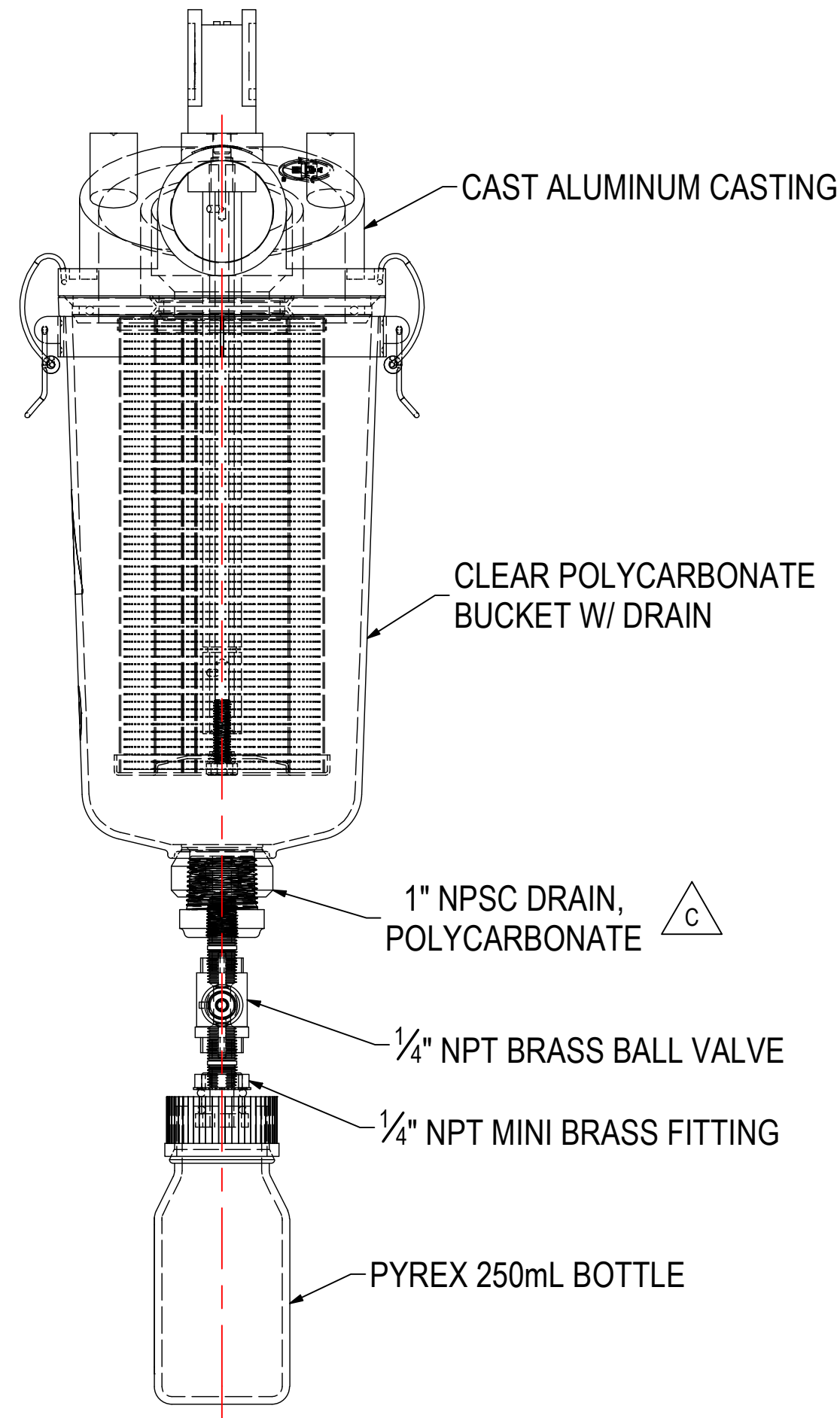
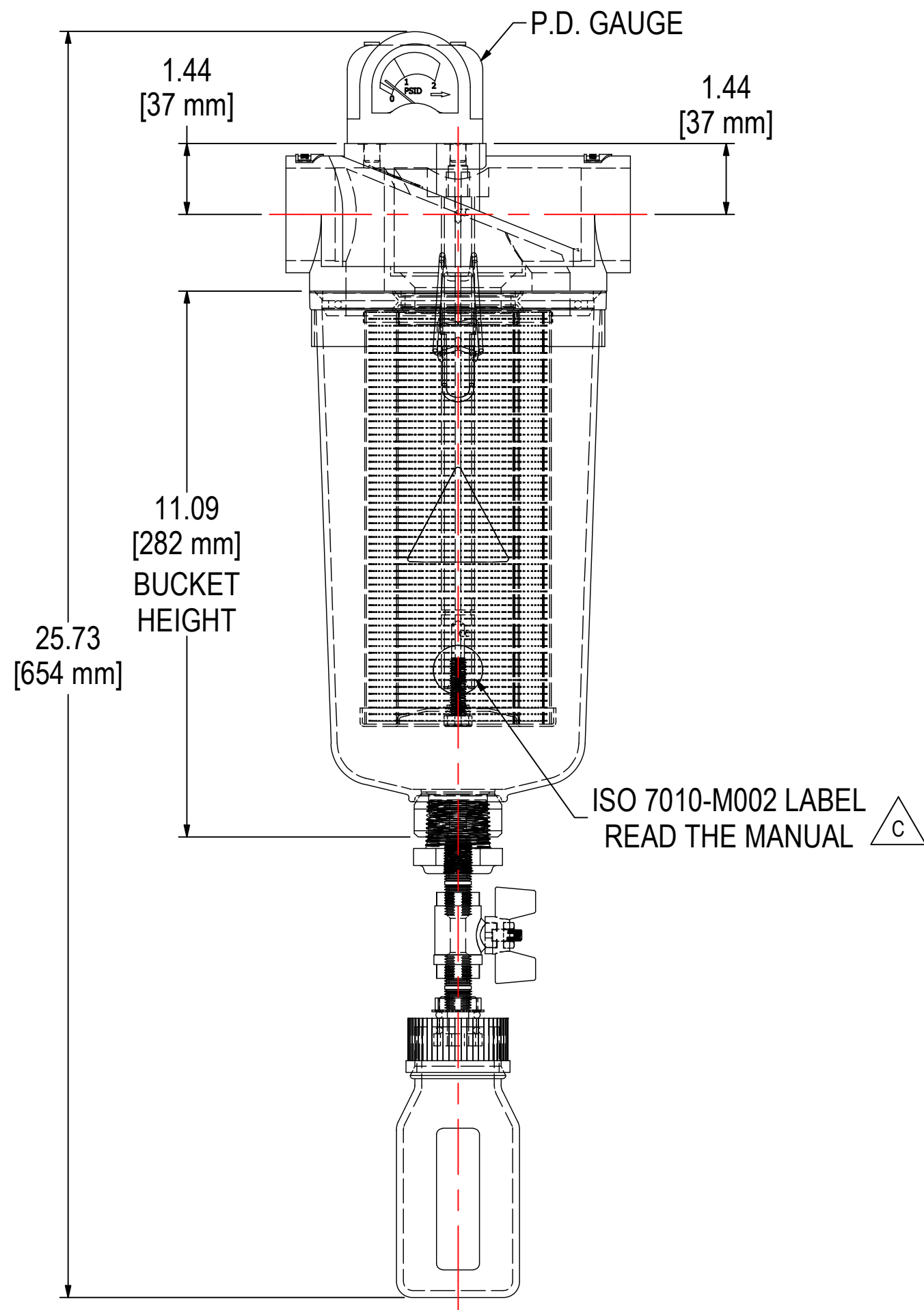
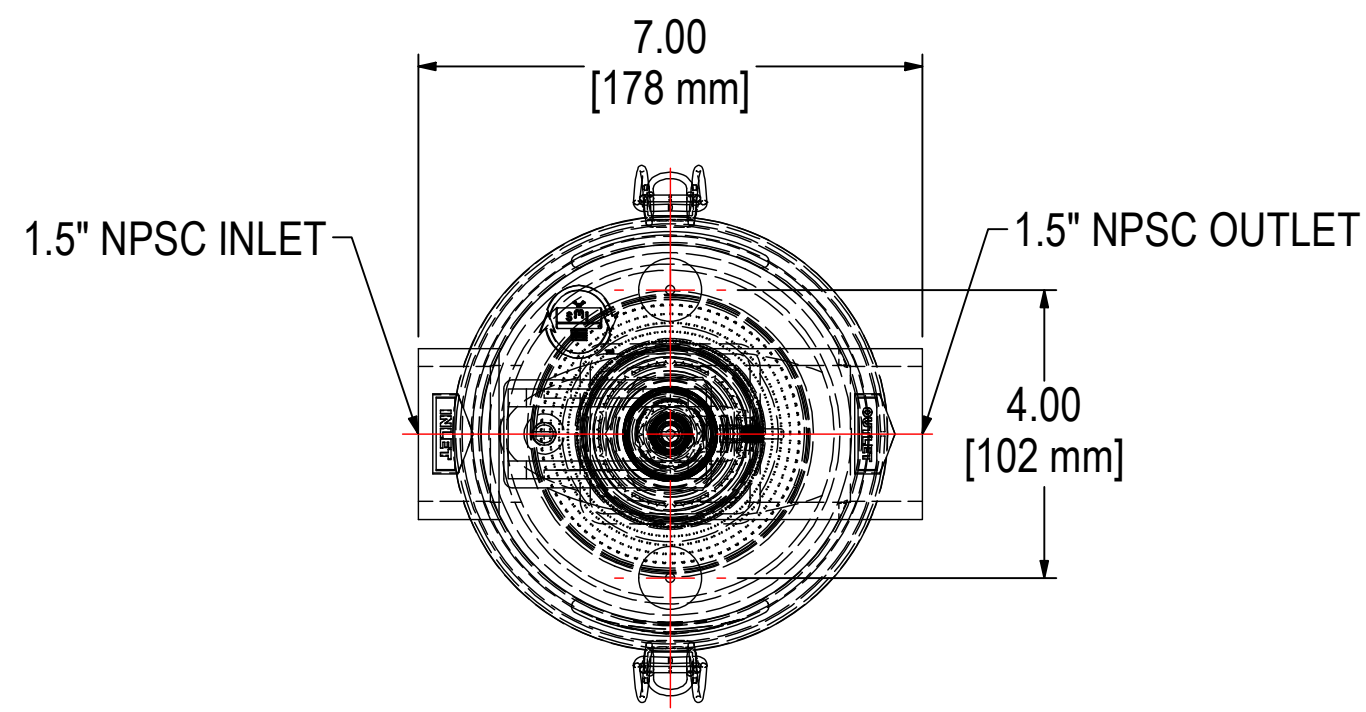


REV	DESCRIPTION	ECN #	CHG BY	DATE	APP'D
A	ADDED ITEM 18, 2" BIOHAZARD LABEL	PJCT288	JR	07/29/15	CRW
B	UPDATED DRAIN, WAS 1/4" NPT BRASS	16010	TAS	04/12/19	JSR
C	UPDATED DRAIN, WAS 316 SS	21562	EZR	03/24/21	TAS



ELEMENT SPECS		
PART NUMBER	UL896	
MATERIAL	ULPA	
FLOW RATE	48 CFM	82 m <sup>3</sup> /hr
SURFACE AREA	4.9 ft <sup>2</sup>	0.5 m <sup>2</sup>
I.D.	2.38"	60mm
O.D.	3.98"	101mm
HEIGHT	8.44"	214mm

MODEL #: HV-UL896-150C	MATERIAL: VARIOUS	FINISH: VARIOUS
MODEL NUMBER: HV-UL896-150C	DESCRIPTION: HV-UL896-150C, BOTTLE, BALL VALVE, PD GAUGE	
PROJECT:	DRAWN BY: CRW	APPROVED BY:
	DATE: 4/2/2015	DATE:
		REV: C

THE INFORMATION CONTAINED HEREIN IS CONFIDENTIAL AND THE PROPERTY OF SOLBERG MANUFACTURING INC. AND IT IS FURNISHED TO YOU WITH THE EXPRESS UNDERSTANDING THAT IT WILL NOT BE REPRODUCED, COPIED IN ANY MANNER, LOANED OR OTHERWISE TRANSFERRED TO OTHERS ENTIRELY OR IN PART, NOR USED FOR ANY PURPOSE OTHER THAN FOR WHICH IT WAS FURNISHED. IT WILL BE RETURNED UPON REQUEST TO SOLBERG MANUFACTURING INC. THE ABOVE RESTRICTION IS IN ADDITION TO, AND DOES NOT IN ANY WAY ALTER, ANY OTHER RESTRICTIONS WHICH MAY APPLY TO THE INFORMATION CONTAINED HEREIN.

**TOLERANCES**  
 DIMENSIONS ARE FOR REFERENCE ONLY. ALL DIMENSIONS ARE SUBJECT TO CHANGE UPON PRODUCTION.  
 UNLESS OTHERWISE SPECIFIED:  
 -DIMENSIONS ARE IN INCHES  
 -REF: APPROXIMATE DIMENSIONS, NO TOLERANCES APPLY  
 -FINISH: BREAK EDGES TO .005-.020 RADIUS/CHAMFER