

Performance Validated Compressed Air & Gas Filters

Features

- Advanced filter design to optimize flow capabilities, significantly reducing differential pressure and thus increasing energy efficiency.
- 18 models with connections from 1/8" to 3" NPT and rated flows from 6 to 1500 scfm.
- Extremely low pressure drop across the range (<125 mbar).
- Tested and validated in accordance with ISO 12500-1 & ISO 8573.1:2010.
- Both housings and elements are manufactured using the highest quality materials to provide optimum performance and improved efficiencies.
- Guaranteed safe housing closure with single start, fixed thread engagement stop and lock indication arrows to prevent over tightening ensuring effective sealing.
- Externally accessible float drain supplied as standard.



Easy to Use Elements



Push fit elements perfect sealing within filter housing; color coded end caps for quick and simple grade identification.

Deep-Pleated Media



Utilizing a new deep pleated media combined with a custom-engineered anti-re-entrainment layer, GFN filters deliver exceptional particulate retention, oil coalescing and aerosol removal, while significantly reducing pressure losses.

nano F¹: Compressed Air & Gas Filters

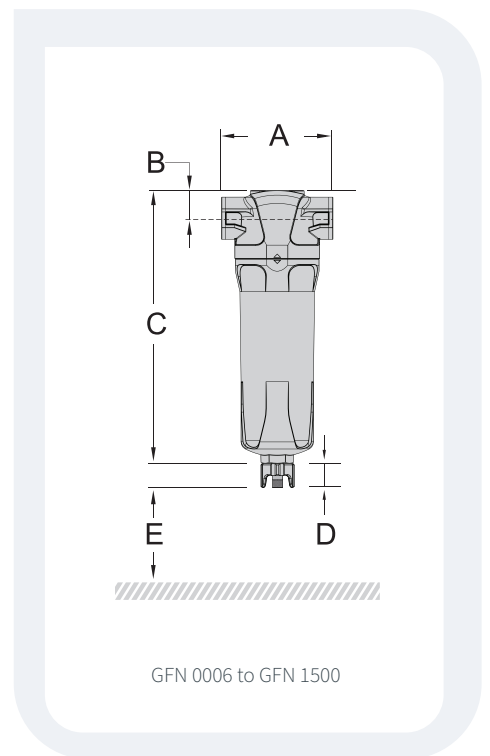
FILTER MODEL	INLET & OUTLET NPT	RATED FLOW SCFM	REPLACEMENT ELEMENT		DIMENSIONS (INCHES)				APPROX. WEIGHT LBS
			PART NO.	A	B	C ⁽²⁾	D	E	
GFN 0006 (grade)	1/8"	6	GE 0015 (grade)	1.97	0.67	6.18	1.10	10.50	0.6
GFN 0015 (grade)	1/4"	15	GE 0015 (grade)	1.97	0.67	6.18	1.10	10.50	0.6
GFN 0025 (grade)	1/4"	25	GE 0032 (grade)	2.76	0.95	9.09	1.10	13.40	1.3
GFN 0032 (grade)	3/8"	32	GE 0032 (grade)	2.76	0.95	9.09	1.10	13.40	1.3
GFN 0050 (grade)	1/2"	50	GE 0050 (grade)	2.76	0.95	9.09	1.10	13.40	1.3
GFN 0070 (grade)	1/2"	70	GE 0105 (grade)	5.00	1.26	11.22	1.18	15.60	3.7
GFN 0085 (grade)	3/4"	85	GE 0105 (grade)	5.00	1.26	11.22	1.18	15.60	3.7
GFN 0105 (grade)	1"	105	GE 0105 (grade)	5.00	1.26	11.22	1.18	15.60	3.7
GFN 0125 (grade)	3/4"	125	GE 0175 (grade)	5.00	1.26	14.61	1.18	19.00	4.4
GFN 0175 (grade)	1"	175	GE 0175 (grade)	5.00	1.26	14.61	1.18	19.00	4.4
GFN 0280 (grade)	1 1/4"	280	GE 0325 (grade)	5.51	1.58	18.70	1.18	23.10	6.6
GFN 0325 (grade)	1 1/2"	325	GE 0325 (grade)	5.51	1.58	18.70	1.18	23.10	6.6
GFN 0450 (grade)	2"	450	GE 0450 (grade)	6.69	2.09	20.00	1.18	24.40	10.8
GFN 0700 (grade)	2"	700	GE 0700 (grade)	6.69	2.09	27.87	1.18	32.20	12.1
GFN 0850 (grade)	2 1/2"	850	GE 0900 (grade)	8.66	2.76	28.98	1.18	33.40	23.1
GFN 0900 (grade)	3"	900	GE 0900 (grade)	8.66	2.76	28.98	1.18	33.40	23.1
GFN 1250 (grade)	3"	1250	GE 1250 (grade)	8.66	2.76	33.74	1.18	38.10	25.4
GFN 1500 (grade)	3"	1500	GE 1500 (grade)	8.66	2.76	39.57	1.18	43.90	27.6

SPECIFICATIONS	0006 TO 0015	0025 TO 0050	0070 TO 1500
Design operating pressure range ⁽³⁾	0 to 232 psig	0 to 232 psig	22 to 232 psig
Automatic float drain ⁽⁴⁾	GFDK 0050	GFDK 0050	GFDK 1500
Differential pressure gauge	-	-	GFDP 1500
Differential pressure indicator	-	GFDP 0050	-

SPECIFICATIONS	M1	M01	AC
(Maximum particle size ISO class) ⁽⁵⁾	3	1	-
(Maximum oil content ISO class) ⁽⁵⁾	3	2	1
Particle removal (microns)	1	0.01	-
Max oil carry over at 68°F (ppm)	0.3	0.01	0.003
Design operating temperature range (°F)	32 to 176	32 to 176	32 to 122

PRESSURE CORECTION FACTORS									
Operating pressure (psig)	58	72	87	100	115	145	175	203	232
Correction factor	0.76	0.84	0.92	1.00	1.07	1.19	1.31	1.41	1.51

- (1) At 100 psig. For all other pressures, refer to the pressure correction factors above.
- (2) Differential pressure indicator adds 1.65" to height. Differential pressure gauge adds 2.8" to height.
- (3) For pressure below 22 psig, order with a GFDK 0050 for models GFN 0070 to 1500. For pressures up to 300 psi, use manual drain valve.
- (4) Grade M1 and M01 are supplied with an automatic float drain. When high liquid loads are anticipated, we recommend installing a high capacity external condensate drain. Contact canadasupport@nano-purification.com for available options.
- (5) Per ISO 8573.1:2010



Technical specifications subject to change without notice.
 Publication Reference: GFN-CA-EN-Version-000
 ©2024 Air & Gas Solutions LLC



nano
 Experience. Customer. Service.

Canada
 St. Catharines, Ontario, Canada
 Phone: +1 905 684 6266
 Email: canadasupport@nano-purification.com

nano-purification solutions
www.nano-purification.com

United States | Canada | United Kingdom | Germany | Singapore