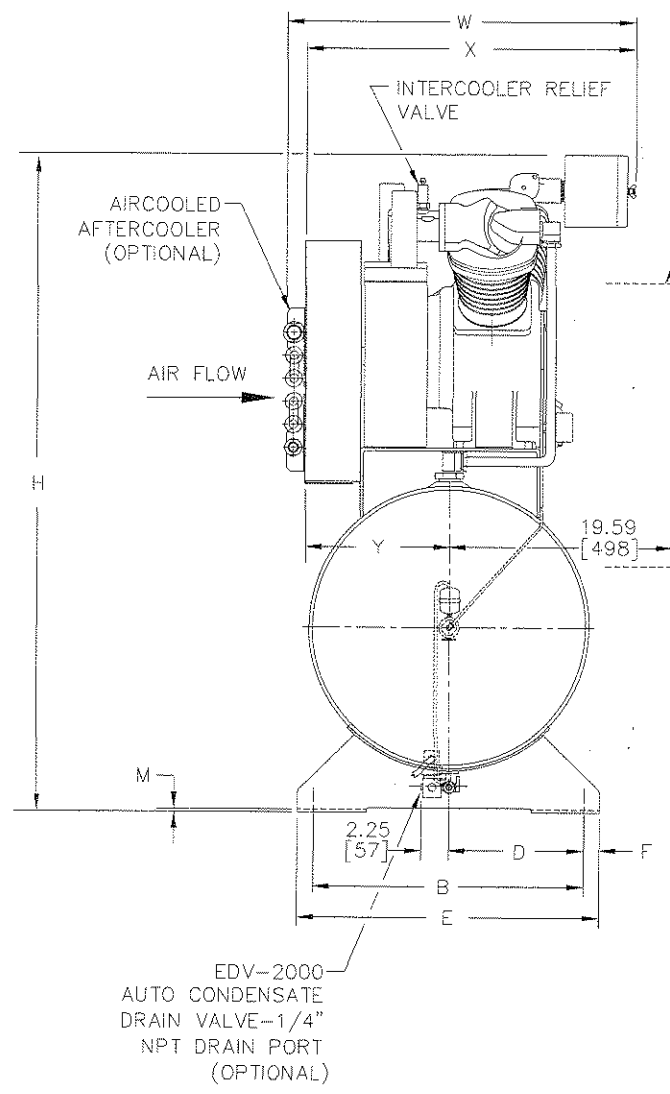
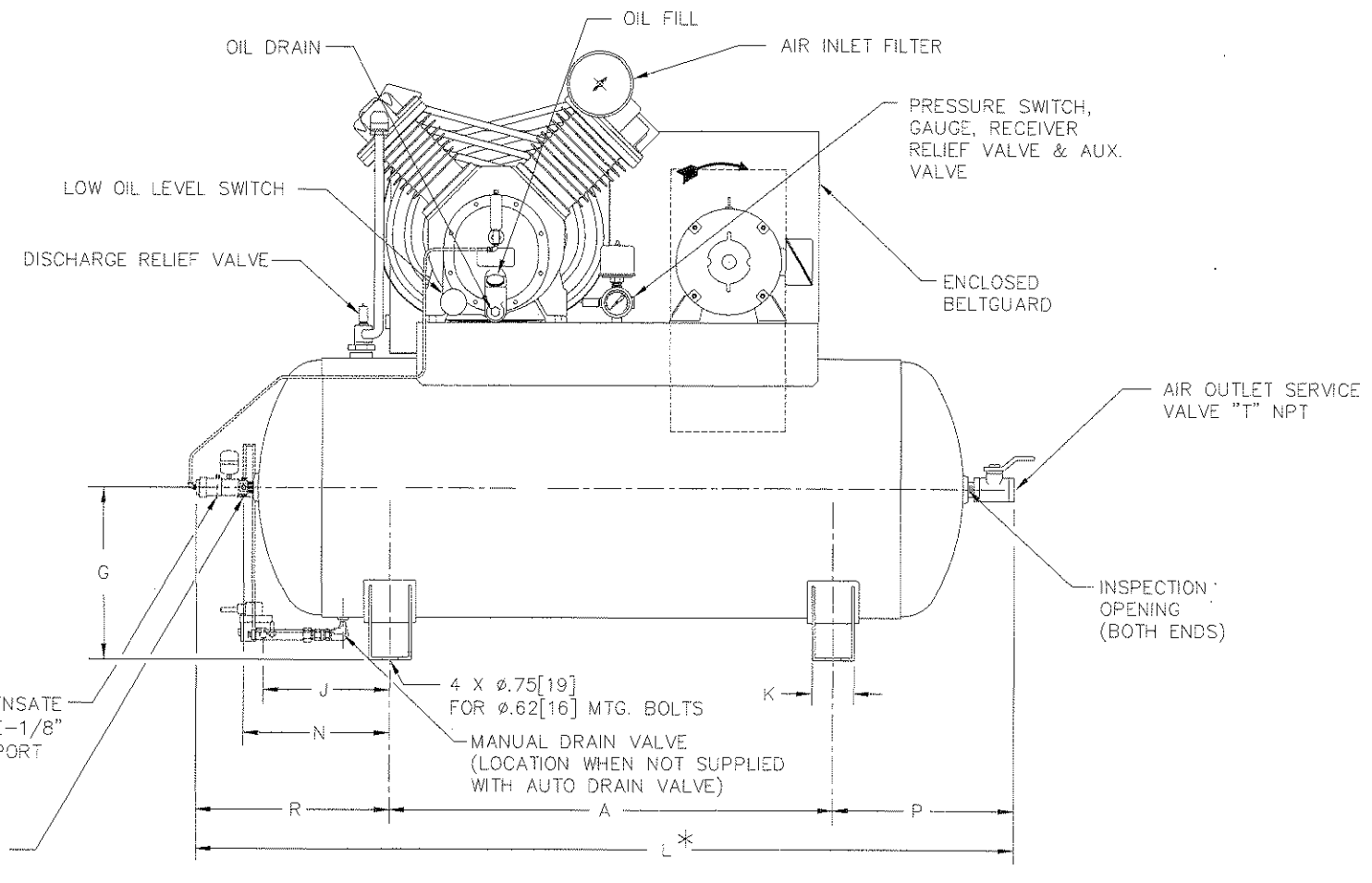


- NOTES: 1. FOUNDATION OR FLOOR MUST BE LEVEL AND SUPPORT ALL FEET EQUALLY; IF NECESSARY SHIM OR GROUT THE FOURTH FOOT.
 2. THE COMPRESSOR ARRANGEMENT SHOWN IS REPRESENTATIVE OF ALL THE UNITS LISTED. SPECIFIED ACCESSORY ITEMS ARE NOT NECESSARILY SHOWN BUT WILL NOT INCREASE THE DIMENSION.
 3. FOUNDATION BOLTS SHOULD PROJECT THRU NUTS AT LEAST 1/2" [13] TO ALLOW FOR LEVELING.
 4. ALLOW AT LEAST 12.00 [305] CLEARANCE MIN. ON ALL SIDES FOR PROPER AIR CIRCULATION.
 5. * = ADD "S" WHEN AUTO COND. DRAIN VALVE IS SUPPLIED.
 6. ALL UNSPECIFIED TOLERANCES:
 XXX = ±.12 [3]
 XX = ±.25 [6]
 X = ±.50 [13]
 7. DIMENSIONS IN [] ARE MILLIMETER DIMENSIONS UNLESS OTHERWISE SPECIFIED.



MOUNTED MOTOR STARTER (OPTIONAL)



THIS DRAWING SUPERSEDES GA2310301

MODEL	NET WT. LBS. [kg]	RECEIVER		DIMENSIONS IN INCHES [mm]																				
		SIZE	GAL [L]	A	B	BB	C	D	E	F	G	H	J	K	L	M	N	P	R	S	T	W	X	Y
7100D10	930	20" X 63"	80	39.500	18.750			9.375	21.00	1.12	13.56	52.0	11.65	3.00	66.6	.18	12.1	14.8	12.3	6.00	3/4	29.2	27.3	12.7
H7100D10	[423]	[508X1600]	[303]	[1003]	[476]			[238]	[533]	[28]	[344]	[1321]	[296]	[76]	[1692]	[5]	[307]	[376]	[312]	[152]		[742]	[693]	[323]
7100E10	1035	24" X 67"	120	42.000	20.700			10.350	23.60	1.45	14.45	56.0	12.15	3.50	71.3	.21	12.6	16.3	13.0	6.00	1	29.2	27.3	12.7
H7100E10	[470]	[610X1702]	[454]	[1067]	[526]			[263]	[599]	[37]	[367]	[1422]	[309]	[89]	[1811]	[5]	[320]	[414]	[330]	[152]		[742]	[693]	[323]
7100E15	1115	24" X 67"	120	42.000	23.750			11.875	26.50	1.38	15.56	56.8	12.15	4.00	71.3	.18	12.6	16.3	13.0	6.00	1	29.2	27.3	12.7
	[506]	[610X1702]	[454]	[1067]	[603]			[302]	[673]	[35]	[395]	[1443]	[309]	[102]	[1811]	[5]	[320]	[414]	[330]	[152]		[742]	[693]	[323]
	1125	24" X 67"	120	42.000	23.750			11.875	26.50	1.38	15.56	57.1	12.15	4.00	71.3	.18	12.6	16.3	13.0	6.00	1	29.2	27.3	12.7
	[510]	[610X1702]	[454]	[1067]	[603]			[302]	[673]	[35]	[395]	[1450]	[309]	[102]	[1811]	[5]	[320]	[414]	[330]	[152]		[742]	[693]	[323]

APPROVED FOR:		SIZE:	JOB:	SPEC:	<p>PROPRIETARY NOTICE</p> <p>THIS DOCUMENT CONTAINS CONFIDENTIAL AND TRADE SECRET INFORMATION, IS THE PROPERTY OF INGERSOLL-RAND COMPANY, AND IS GIVEN TO THE RECEIVER IN CONFIDENCE. THE RECEIVER BY RECEIPT AND RETENTION OF THE DOCUMENT ACCEPTS THE DOCUMENT IN CONFIDENCE AND AGREES THAT, EXCEPT AS AUTHORIZED IN WRITING BY INGERSOLL-RAND COMPANY, IT WILL (1) NOT USE THE DOCUMENT OR ANY COPY THEREOF OR THE CONFIDENTIAL OR TRADE SECRET INFORMATION THEREIN; (2) NOT COPY THE DOCUMENT; (3) NOT DISCLOSE TO OTHERS EITHER THE DOCUMENT OR THE CONFIDENTIAL OR TRADE SECRET INFORMATION THEREIN; AND (4) UPON COMPLETION OF THE NEED TO RETURN THE DOCUMENT, OR UPON DEMAND, RETURN THE DOCUMENT, ALL COPIES THEREOF, AND ALL MATERIAL COPIED THEREFROM.</p> <p>Copyright © 1992 Ingersoll-Rand Company All Rights Reserved</p> <p>WARNING: The export or reexport of this drawing or a product produced by this drawing is subject to U.S. Export Administration Regulations and other applicable governmental restrictions or regulations.</p>
IR ORDER NO. _____	CUSTOMER: _____	MODEL: _____	ITEM: _____	CONTRACTOR: _____	
CUSTOMER ORDER NO. _____	PER: _____ DATE: _____	PISTON DISPLACEMENT: _____	ARCH. ENGR.: _____	MTR. H.P./kW _____ MTR. ENCL.: _____	
		SPEED RPM: _____	MTR. VOLTS: _____	PH: _____ HZ: _____	
		DISCHARGE PRESSURE RATING: _____	STARTER TYPE: _____		
		ACTUAL DELIVERY: _____			
		REGULATION: _____			



THIRD ANGLE PROJECTION
 SCALE: N/A
 DATE: 2004SEP22
 DRAWN: D.Adams
 CHECKED: G.Levi
 ENGR. APP: J.Bollard
 B.Lewis

REF. (SEE TABLE)
 TITLE: GENERAL ARRANGEMENT
 SIZE: D
 DWG NO.: GA2310309
 REV: B
 SHEET 1 OF 1