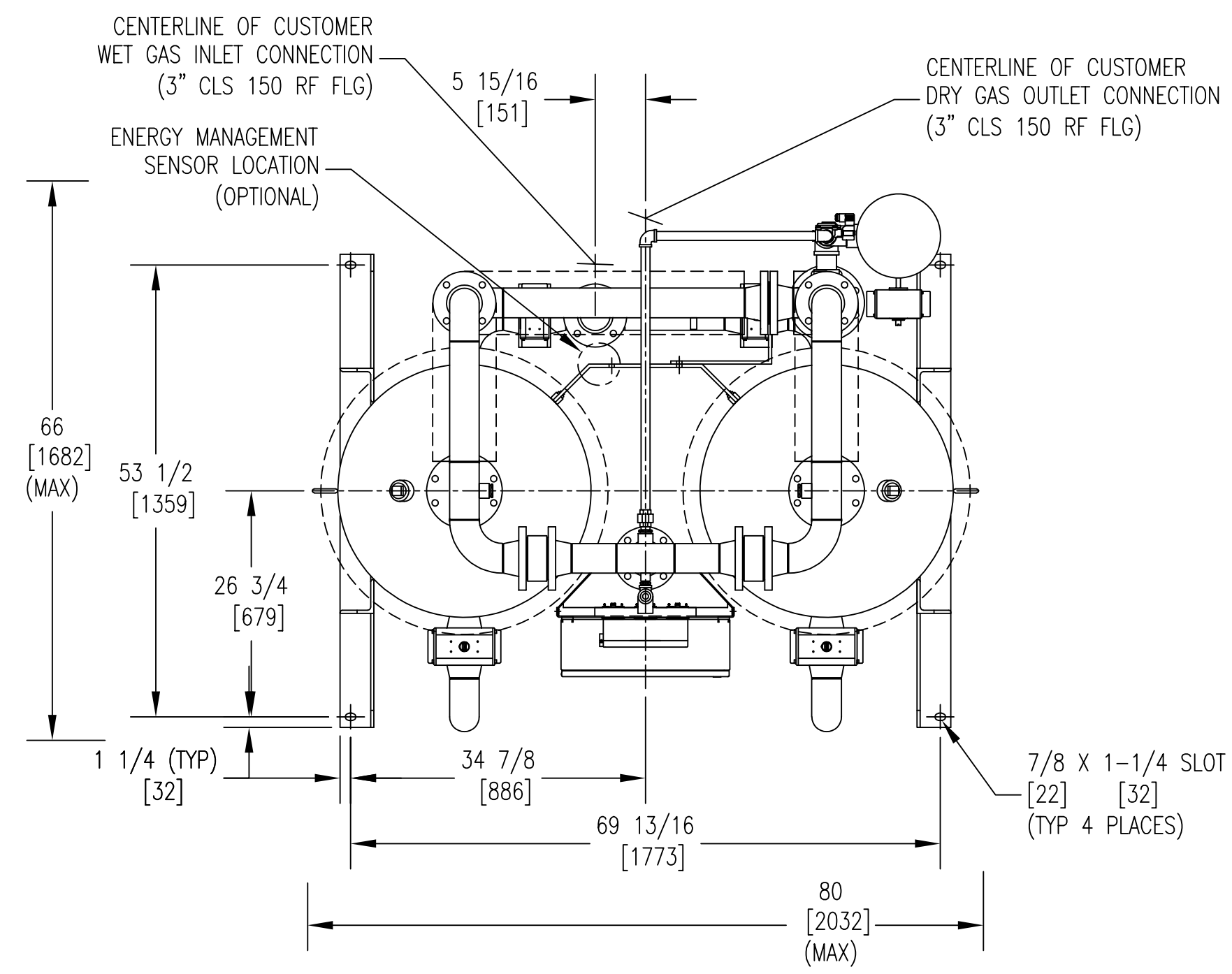
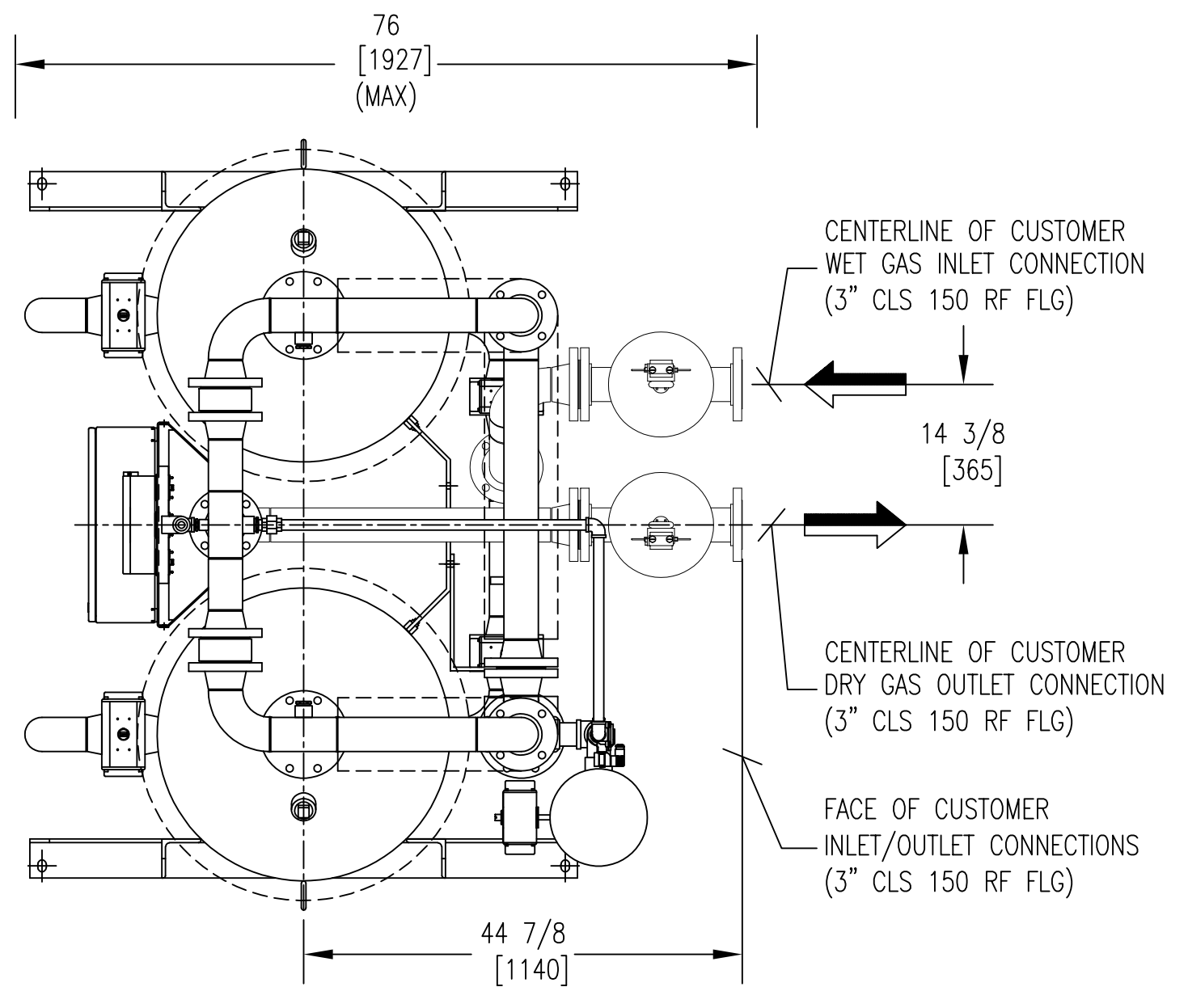


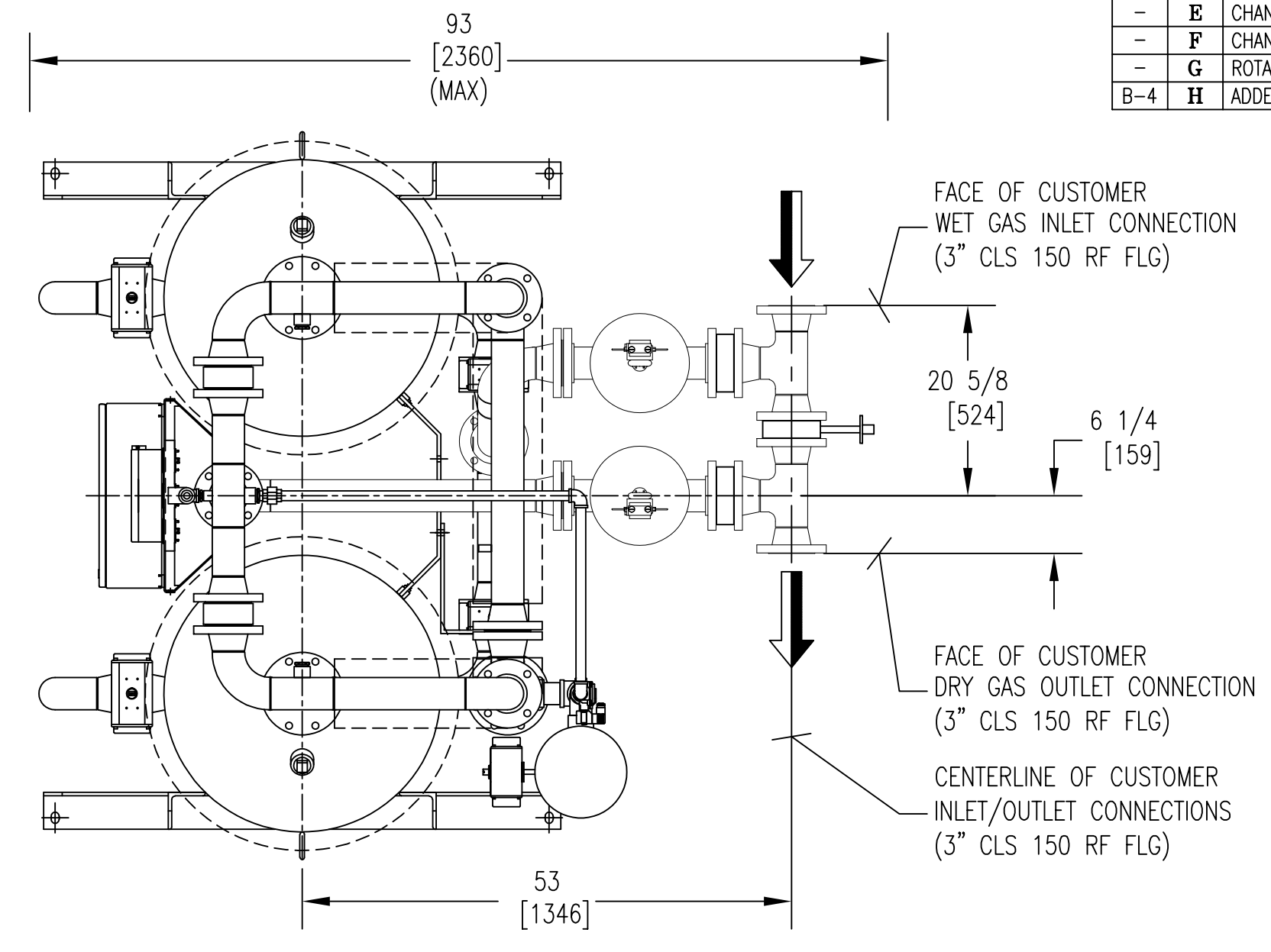
- REVISIONS -							
ZONE	REV	DESCRIPTION	CHG BY	CHK BY	APP BY	REL BY	DATE
-	A	ADDED TEE FOR 3PS DOWNSTREAM FROM PURGE SAVER.	MHO	DEH	DEH	SDM	04/05/06
-	B	ADDED TEE FOR 3PS DOWNSTRM FRM PURGE SAVR IN REAR VIEW.	MHO	DEH	DEH	SDM	04/10/06
-	C	CHANGED FILTER PACKAGES.	SDM	DEH	DEH	SDM	10/10/06
-	D	REMOVED UNNEEDED DETAIL A	DL	DEH	DEH	SDM	02/22/07
-	E	CHANGED ASME RELIEF VALVE	LLS	SDM	SDM	SDM	02/19/08
-	F	CHANGE ELECTRIC PANEL & VALVE	CPG	DPM	DEH	SDM	06/15/10
-	G	ROTATE MUFFLER AND DEPRESS VALVE PIPING	GMJ	CPG	DEH	CRH	02/18/11
B-4	H	ADDED SINGLE PROBE DUAL RTD/THERMOCOUPLE	SOM/REC	KL	DEH	SOM/REC	05/30/19



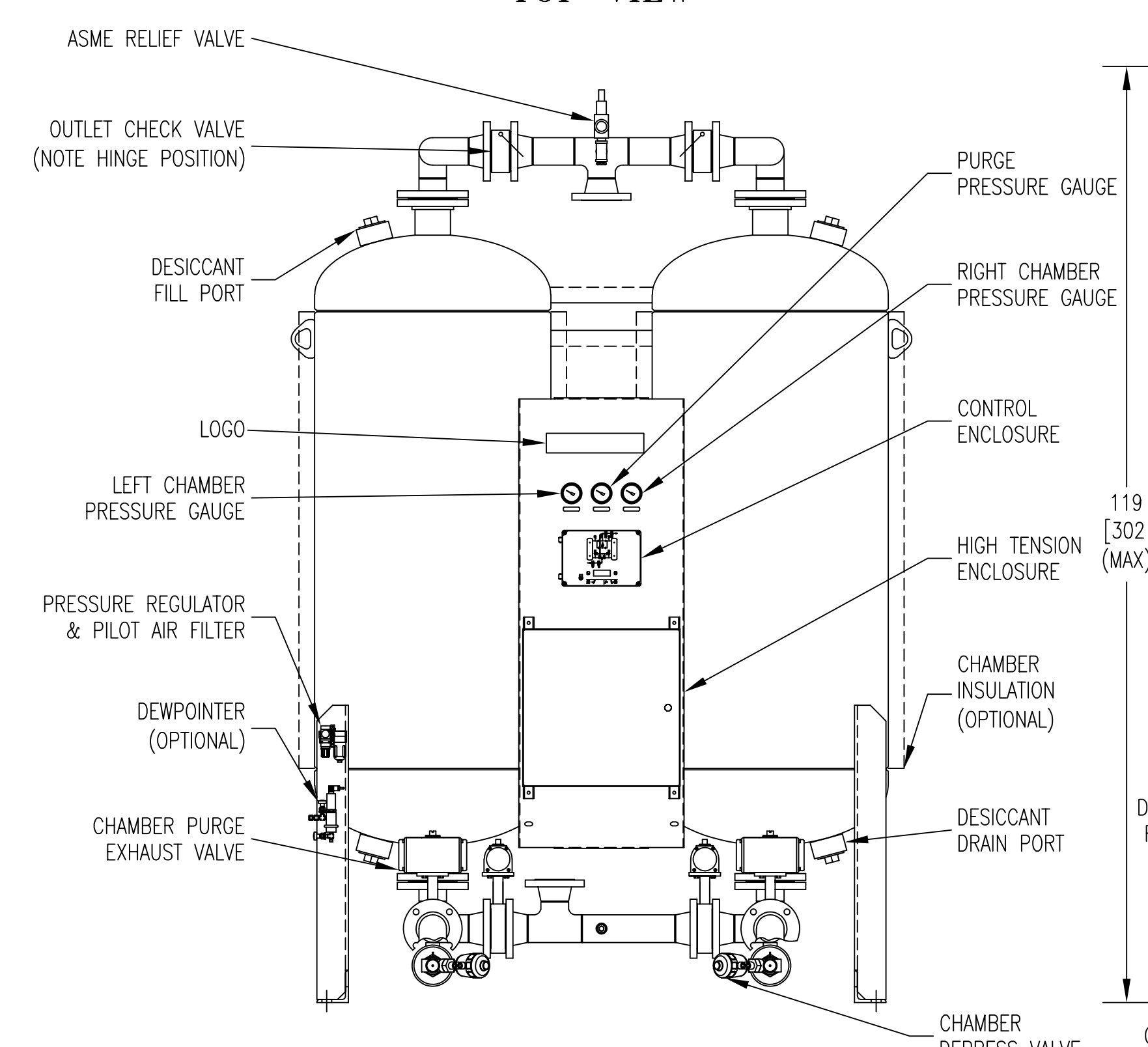
TOP VIEW



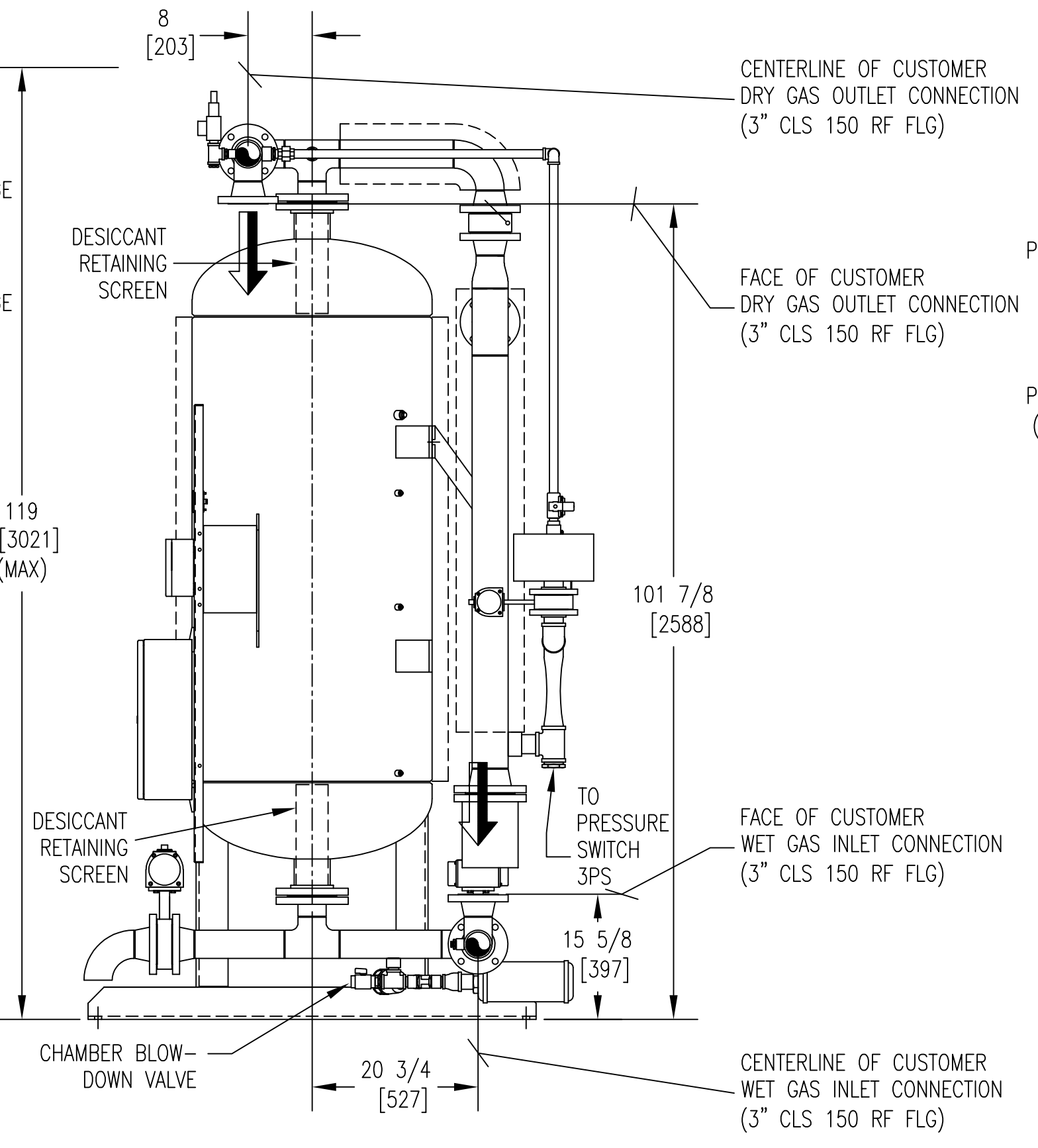
TOP VIEW
(F01 PKG OPTIONAL)



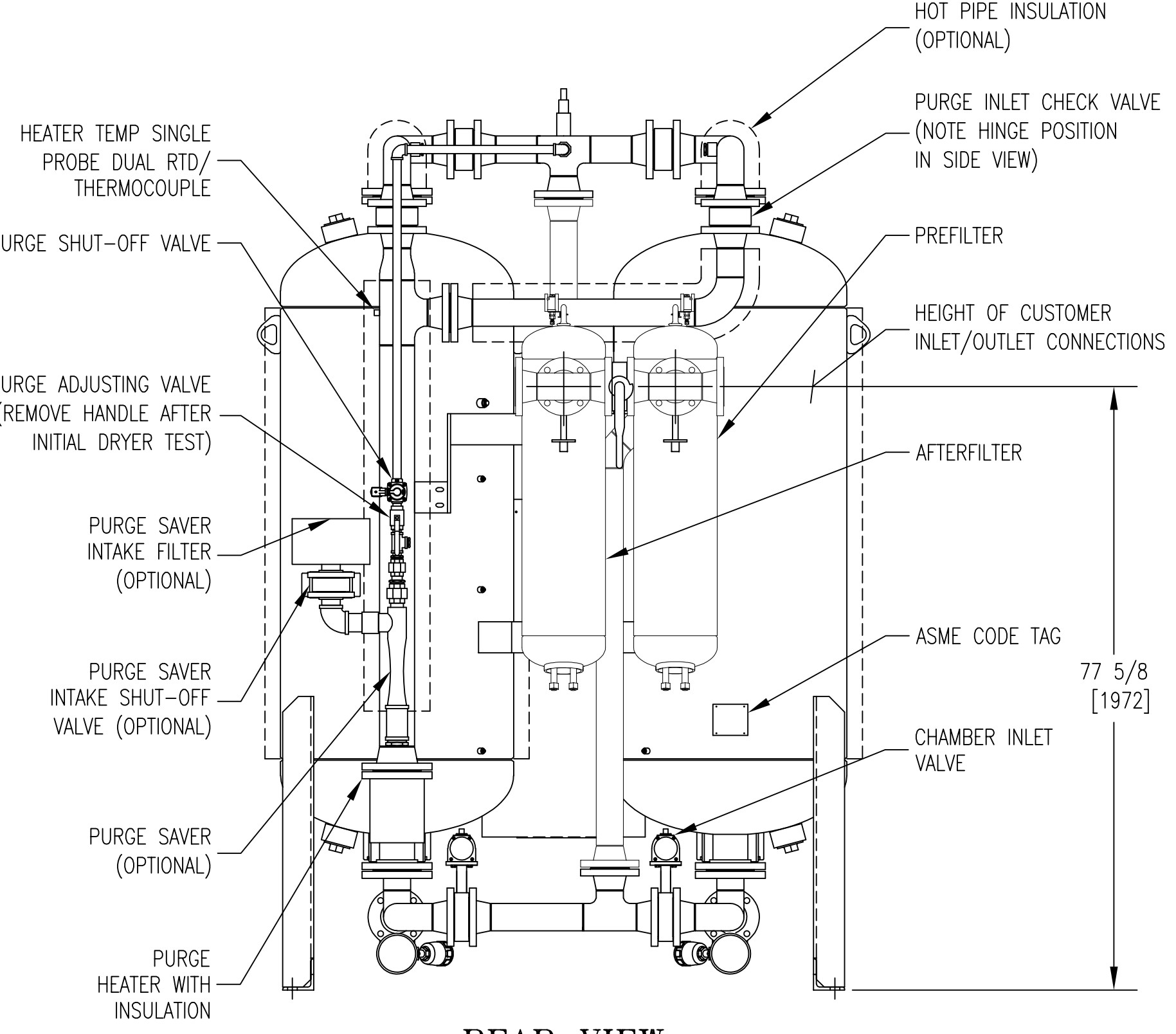
TOP VIEW
(F02 PKG OPTIONAL)



FRONT VIEW



SIDE VIEW
(RIGHT CHAMBER REMOVED FOR CLARITY)



REAR VIEW
(F01/F02 PKG OPTIONAL)

- NOTES:
- THIS DRAWING, TOGETHER WITH THE P&ID AND SPECIFICATION SHEET, PROVIDES OPERATING CONDITIONS, SPECIFICATIONS, INSTALLATION, MOUNTING AND CONNECTION REQUIREMENTS.
 - PRESSURE VESSELS ARE DESIGNED AND BUILT IN ACCORDANCE WITH THE CURRENT EDITION AND ADDENDA OF SECTION VIII, DIV. I, OF THE A.S.M.E. CODE FOR UNFIRED PRESSURE VESSELS.
 - ELECTRICAL CONSTRUCTION IS IN ACCORDANCE WITH THE NATIONAL ELECTRICAL CODE.
 - ANCHOR BOLTS ARE TO PROJECT A MINIMUM OF 2" ABOVE THE FOUNDATION. ANCHOR BOLTS SHOULD BE INSTALLED IN SLEEVES TO ALLOW SOME ADJUSTMENT AT TIME OF INSTALLATION.
 - FOR MAINTENANCE PURPOSES, RECOMMENDED CLEARANCE AROUND DRYER IS 4 FEET [1220 MM].
 - IF THE EQUIPMENT IS TO DRY (OR REACTIVATE WITH) A GAS OTHER THAN AIR, THE OUTLETS OF THE SAFETY VALVE, REACTIVATION GAS OUTLET LINE, BLOWDOWN VALVES, ETC. SHALL BE PIPED AWAY TO A SAFE LOCATION (BY PURCHASER). IN PIPING AWAY GAS, DO NOT PIPE UPWARD WITHOUT ADEQUATE ARRANGEMENTS TO PREVENT TRAPPING CONDENSATION.
 - WEIGHTS: SHIPPING WEIGHT 5,094 LBS. (APPROX.)
OPERATING WEIGHT 2,311 KGS (APPROX.)
 - WHEN FILTER OPTION IS SUPPLIED, REMOVE FILTER AND FILTER PIPING FOR SHIPPING.

UNLESS OTHERWISE SPECIFIED:	NAME	DATE	UNAUTHORIZED USE, MANUFACTURE, OR REPRODUCTION IN WHOLE OR IN PART IS PROHIBITED. DRAWING DESIGN AND OTHER DISCLOSURES ARE PROPERTY OF:
DIMENSIONS ARE IN: INCHES/MM	DWN BY	SDM	12/21/04
SURFACE FINISH: N/A ✓	ENG BY	DEH	12/21/04
TOL.	MM	INCHES	
.X	-	-	
.XX	-	-	
.XXX	-	-	
FRACT: ±1/2	ANG: ±2°		
SCALE: 1/16	WT: N/A		
	MAT NO.	----	
	SIZE	D	
	OWG. NO.	0027008-1500	
	REV.	H	
	SHEET	1	



GENERAL ARRANGEMENT
RP 1500