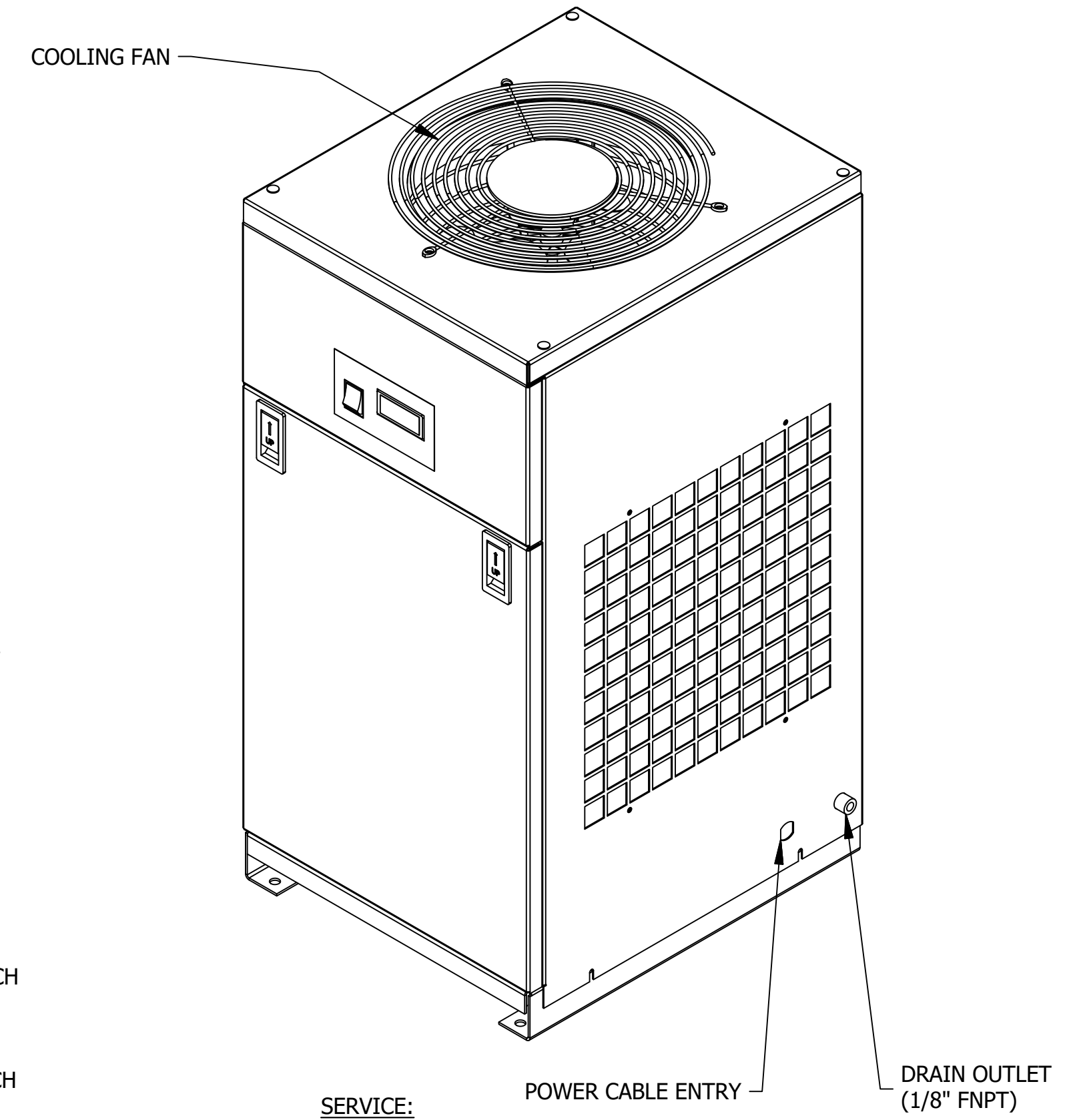


TOP VIEW



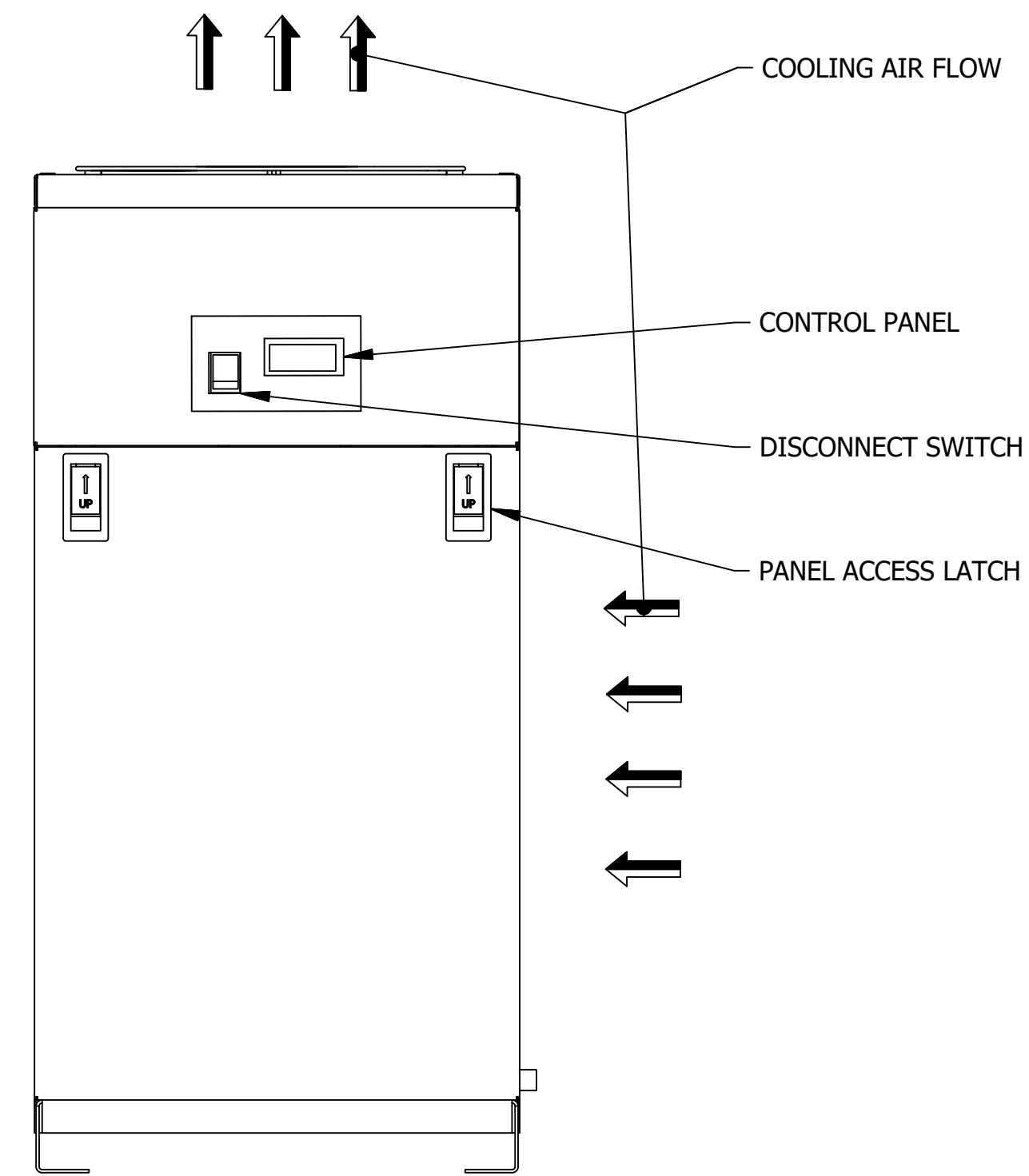
SERVICE:
COMPRESSED AIR

DRYER INFORMATION:
INLET AIR FLOW: 20 SCFM | 0.5 Nm³/min
CONNECTIONS: 3/4" MNPT
DRAIN CONNECTION: 1/8" FNPT
REFRIGERANT: R134A
ELECTRICAL: 115V/1PH/60Hz
WEIGHT: 93.71 LBS. / 42.5 KG

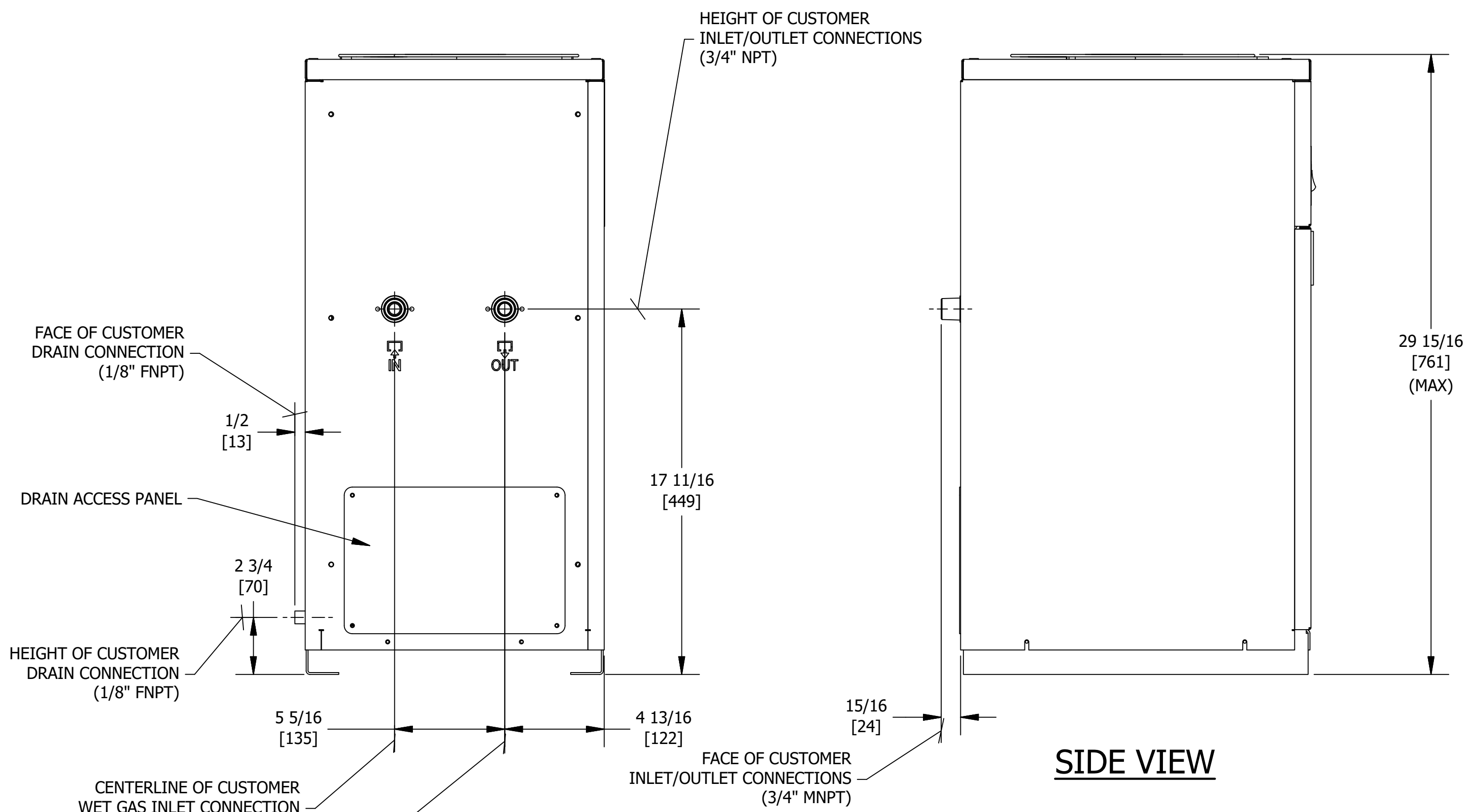
OPERATING CONDITIONS:
RATED INLET AIR PRESSURE: 125 PSIG / 8.6 BARG
MAXIMUM INLET AIR PRESSURE: 227 PSIG / 15.7 BARG
MINIMUM INLET AIR PRESSURE: 42 PSIG / 3 BARG
RATED INLET AIR TEMPERATURE: 180°F / 82°C
MAXIMUM INLET AIR TEMPERATURE: 180°F / 82°C
MINIMUM INLET AIR TEMPERATURE: 40°F / 4°C
RATED AMBIENT AIR TEMPERATURE: 95°F / 35°C
MAXIMUM AMBIENT AIR TEMPERATURE: 110°F / 43°C
MINIMUM AMBIENT AIR TEMPERATURE: 40°F / 4°C
RATED/MAXIMUM PRESSURE DEW POINT: 160°F / 71°C

SPECIFICATIONS:
CONDENSER TYPE: AIR COOLED
DRAIN TYPE: ELECTRONIC AUTO DRAIN VALVE
EXPANSION DEVICE: EXPANSION VALVE

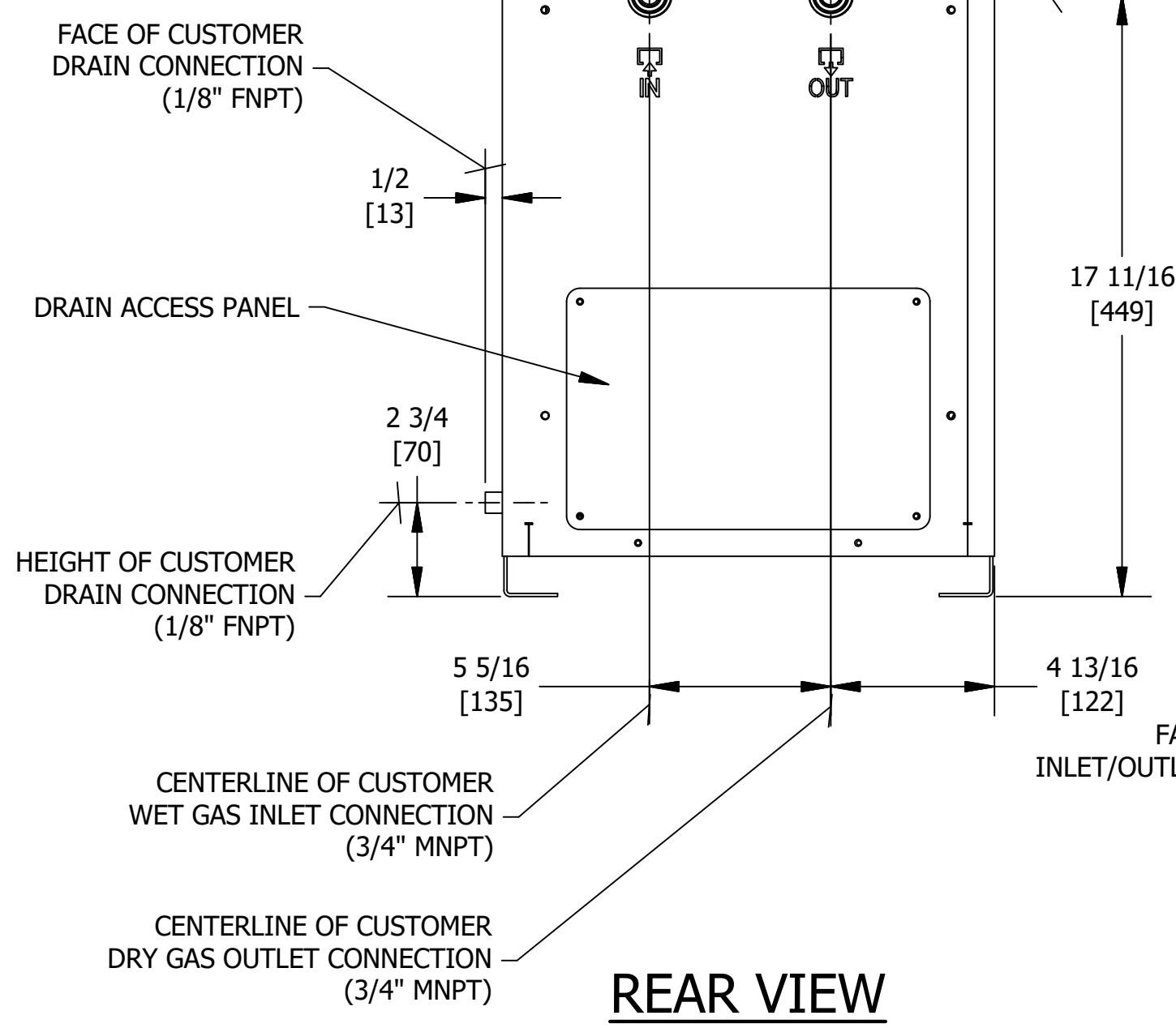
- NOTES:
- THIS DRAWING ALONG WITH THE MANUAL PROVIDES OPERATING CONDITIONS, SPECIFICATIONS, INSTALLATION, MOUNTING, AND CONNECTION REQUIREMENTS. READ THE MANUAL PRIOR TO INSTALLATION.
 - INSTALL IN A CLEAN, WELL VENTILATED AREA TO REDUCE DIRT AND DUST ON THE CONDENSER COILS.
 - FOR COOLING AIR FLOW AND MAINTENANCE PURPOSES, RECOMMENDED CLEARANCE AROUND UNIT IS 2 FEET [609.6 MM].
 - INSTALLATION CONSTRAINTS. ON-SITE ASSEMBLY OF PIPING, TUBING AND/OR ELECTRICAL CONNECTIONS, ARE THE RESPONSIBILITY OF THE CUSTOMER/OWNER.



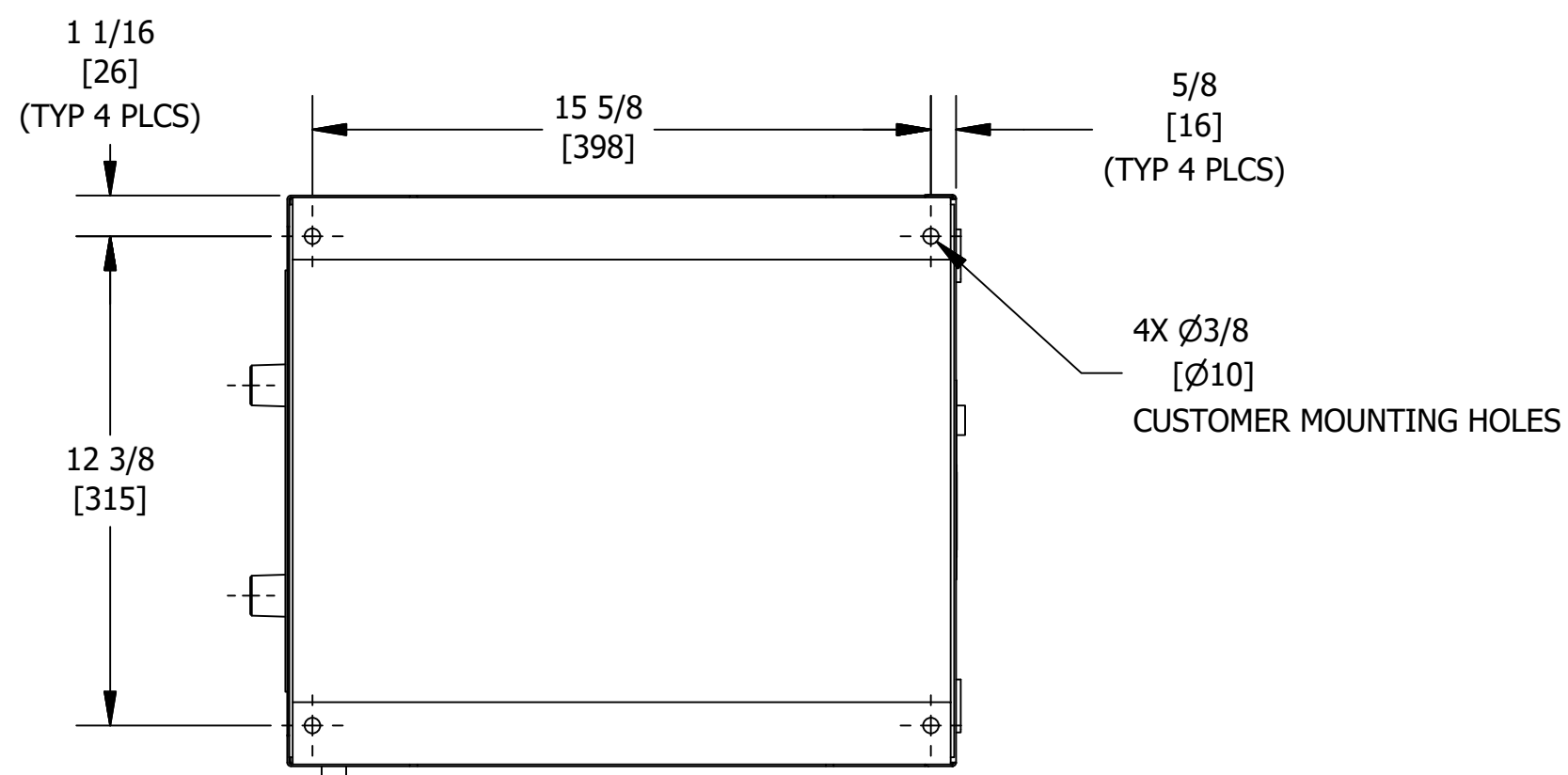
FRONT VIEW



SIDE VIEW



REAR VIEW



FOOT PRINT

UNLESS OTHERWISE SPECIFIED:			NAME	DATE	UNAUTHORIZED USE, MANUFACTURE, OR REPRODUCTION IN WHOLE OR IN PART IS PROHIBITED. DRAWING DESIGN AND OTHER DISCLOSURES ARE PROPERTY OF:
DIMENSIONS ARE IN: INCHES (MM)			DWN BY	CRH	
SURFACE FINISH: N/A			ENG BY	BJM	10/30/2019
TOL.	MM	INCHES	CHK BY	AGT	10/30/2019
.X			APP BY	BJM	10/30/2019
.XX			REL BY	MDB	10/30/2019
.XXX					
FRACT: ±1/2	ANG: ±2°		MAT NO:		
SCALE: 7/32			SIZE	DWG NO:	REV: SHEET
			D	GA03DEL-0205	1 / 1

Deltech
* DO NOT SCALE. USE DIMENSIONS ONLY *
GENERAL ARRANGEMENT
HTDN 20