

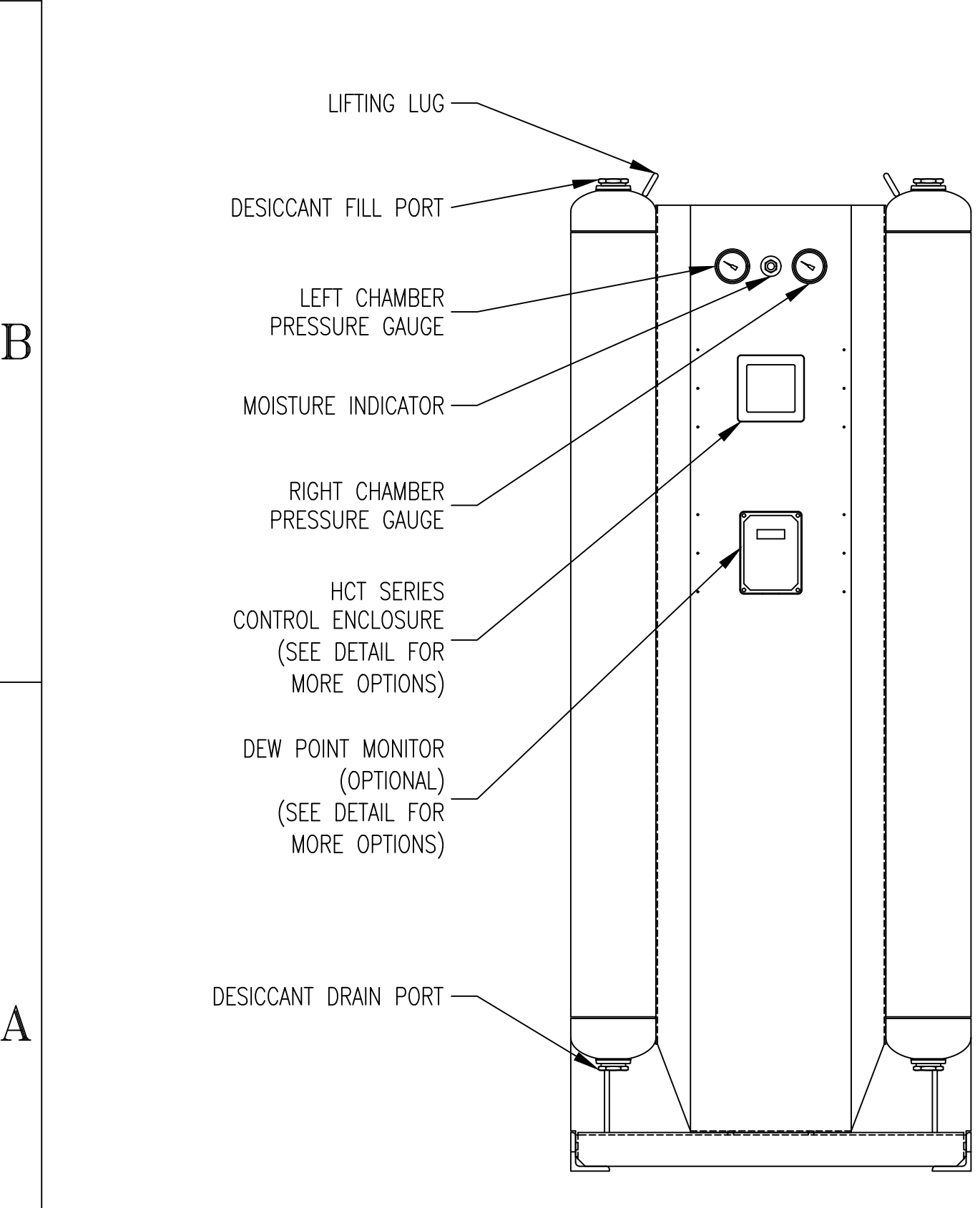
TOP VIEW
(4' OPTION FILTER PACKAGE)

TOP VIEW
(2' & 3' OPTION FILTER PACKAGE)

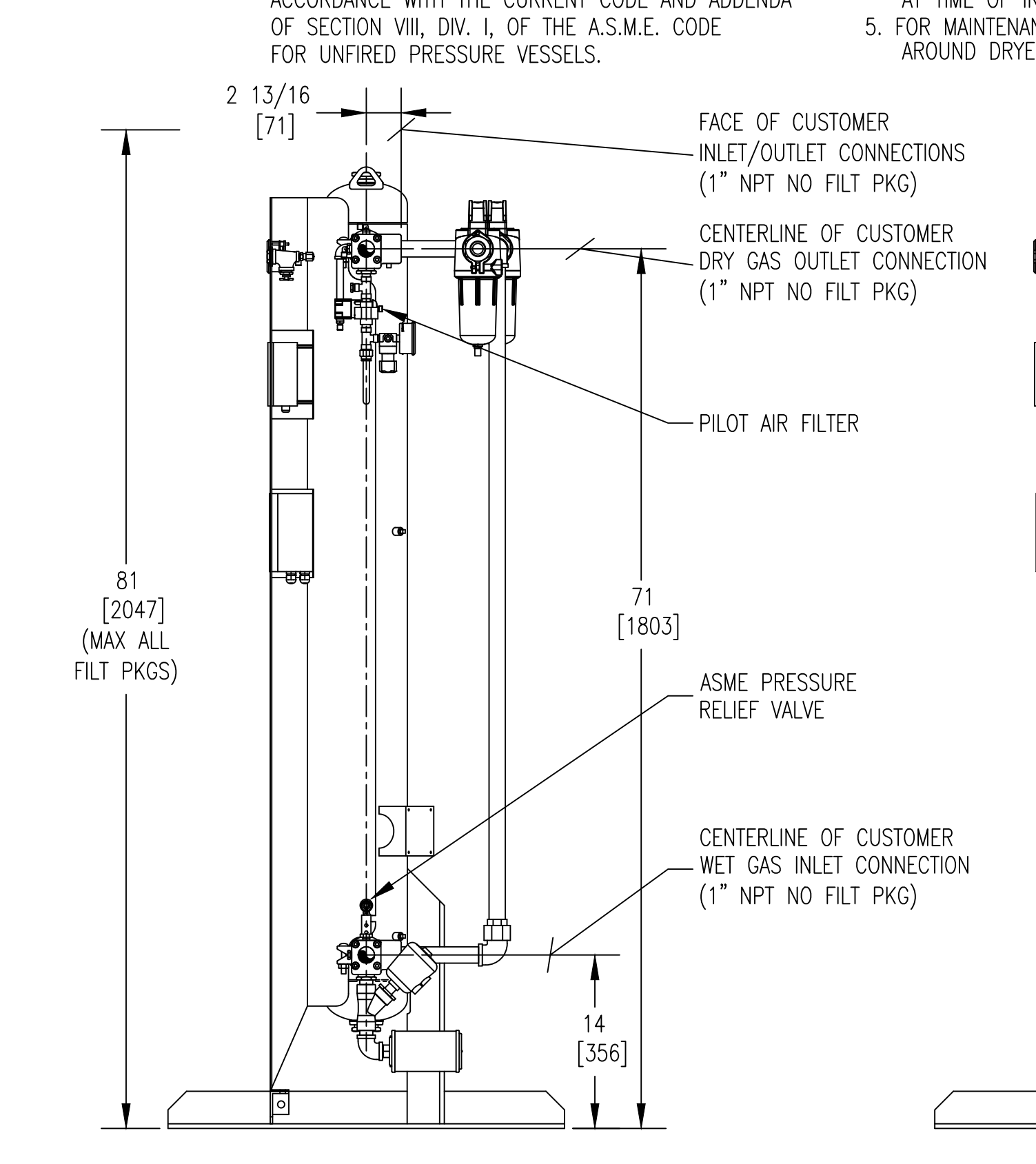
TOP VIEW
(1' OPTION FILTER PACKAGE)

TOP VIEW
(7 VALVE OPTION)

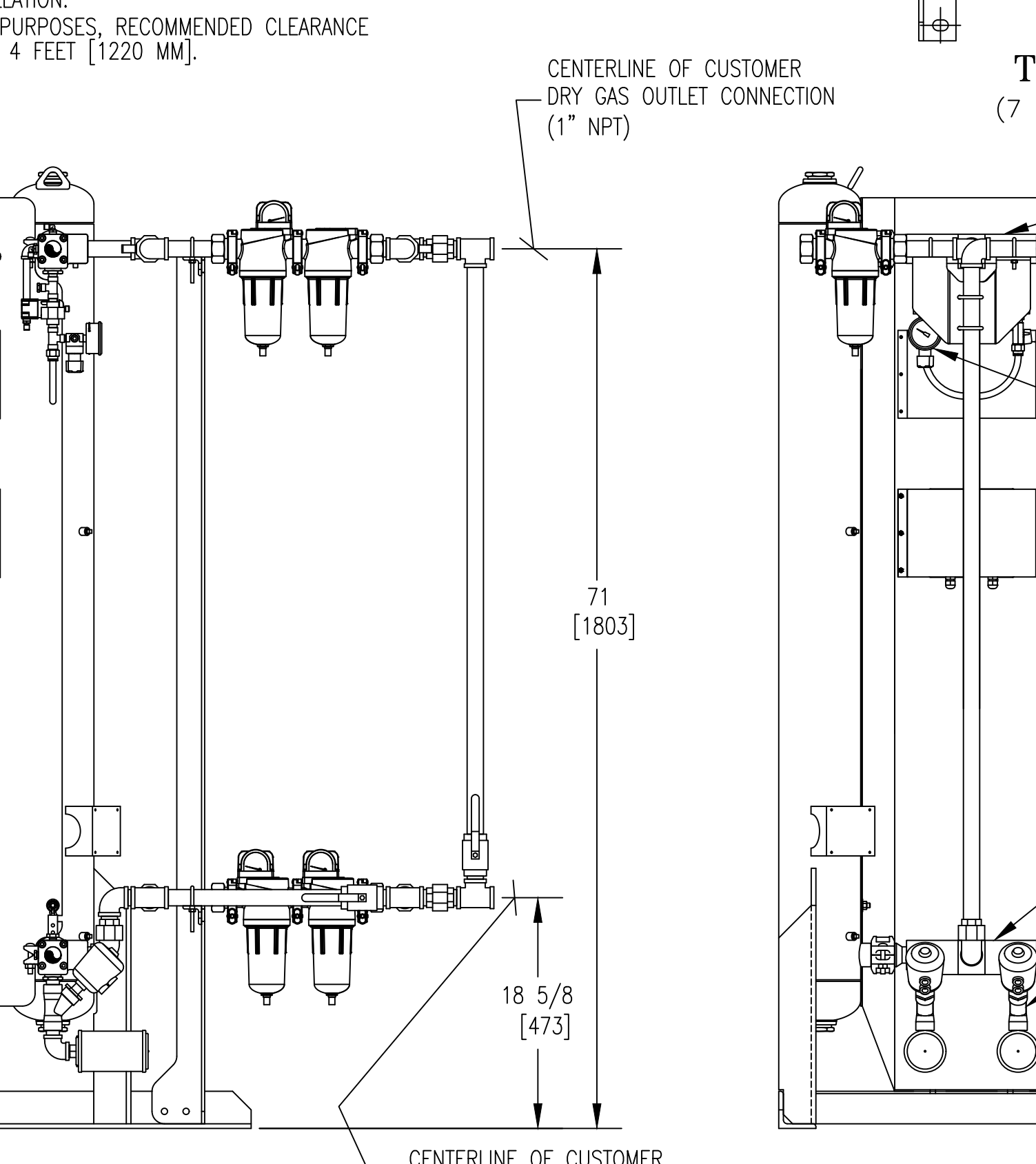
- NOTES:
- THIS DRAWING, TOGETHER WITH P&ID AND SPECIFICATION SHEET, PROVIDES OPERATING CONDITIONS, SPECIFICATIONS, INSTALLATION, MOUNTING AND CONNECTION REQUIREMENTS.
 - PRESSURE VESSELS ARE DESIGNED AND BUILT IN ACCORDANCE WITH THE CURRENT CODE AND ADDENDA OF SECTION VII, DIV. 1, OF THE A.S.M.E. CODE FOR UNFIRED PRESSURE VESSELS.
 - ELECTRICAL CONSTRUCTION IS IN ACCORDANCE WITH THE NATIONAL ELECTRICAL CODE.
 - ANCHOR BOLTS ARE TO PROJECT A MINIMUM OF 2" ABOVE THE FOUNDATION. ANCHOR BOLTS SHOULD BE INSTALLED IN SLEEVES TO ALLOW SOME ADJUSTMENT AT TIME OF INSTALLATION.
 - FOR MAINTENANCE PURPOSES, RECOMMENDED CLEARANCE AROUND DRYER IS 4 FEET [1220 MM].



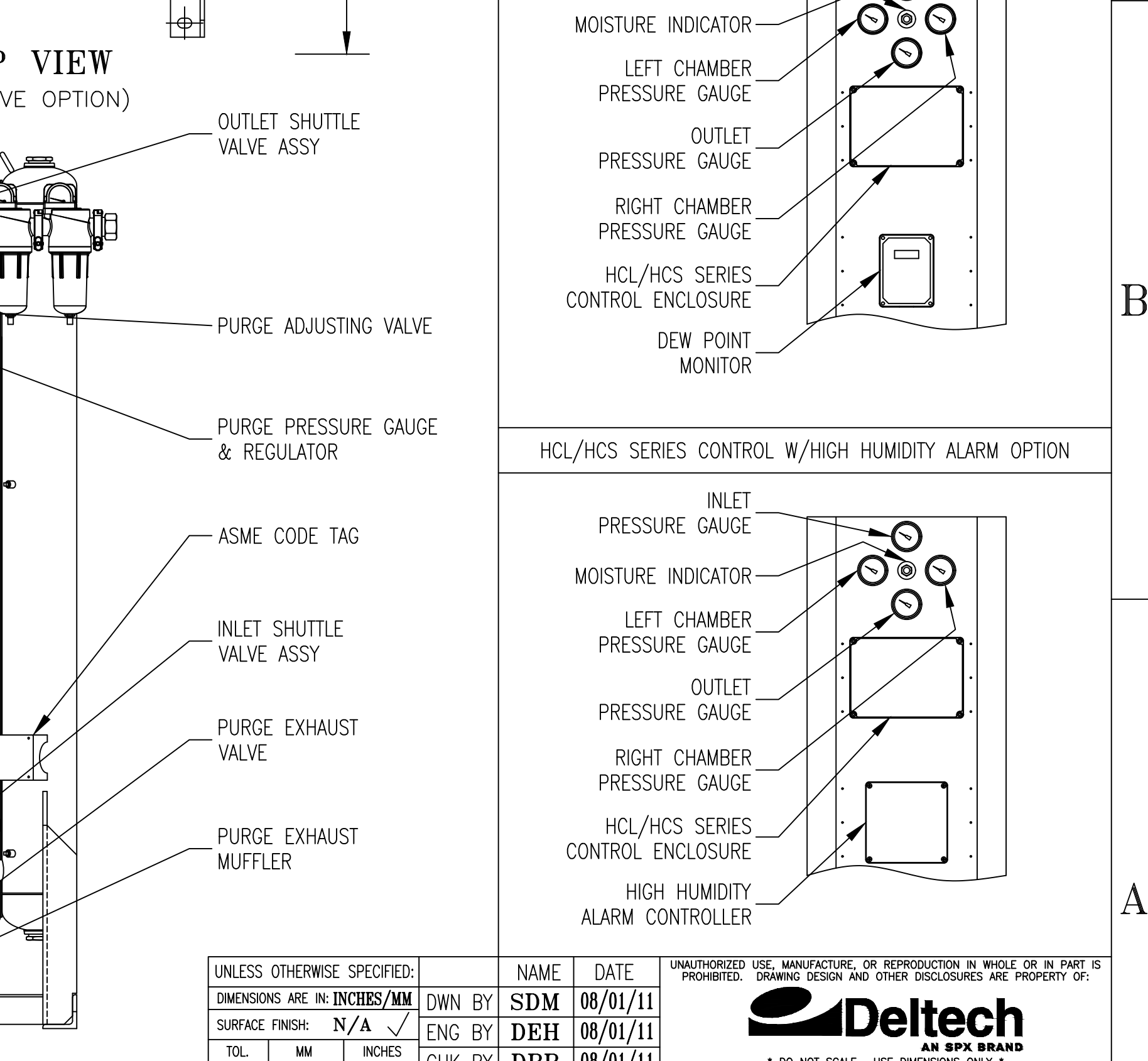
FRONT VIEW



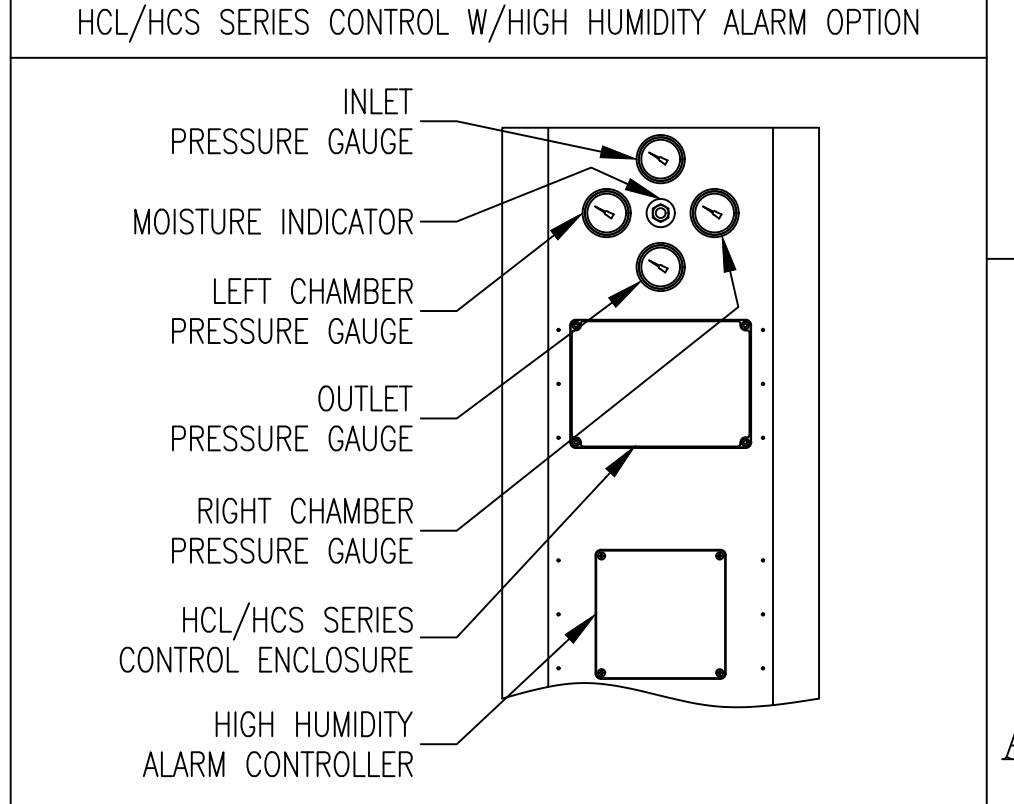
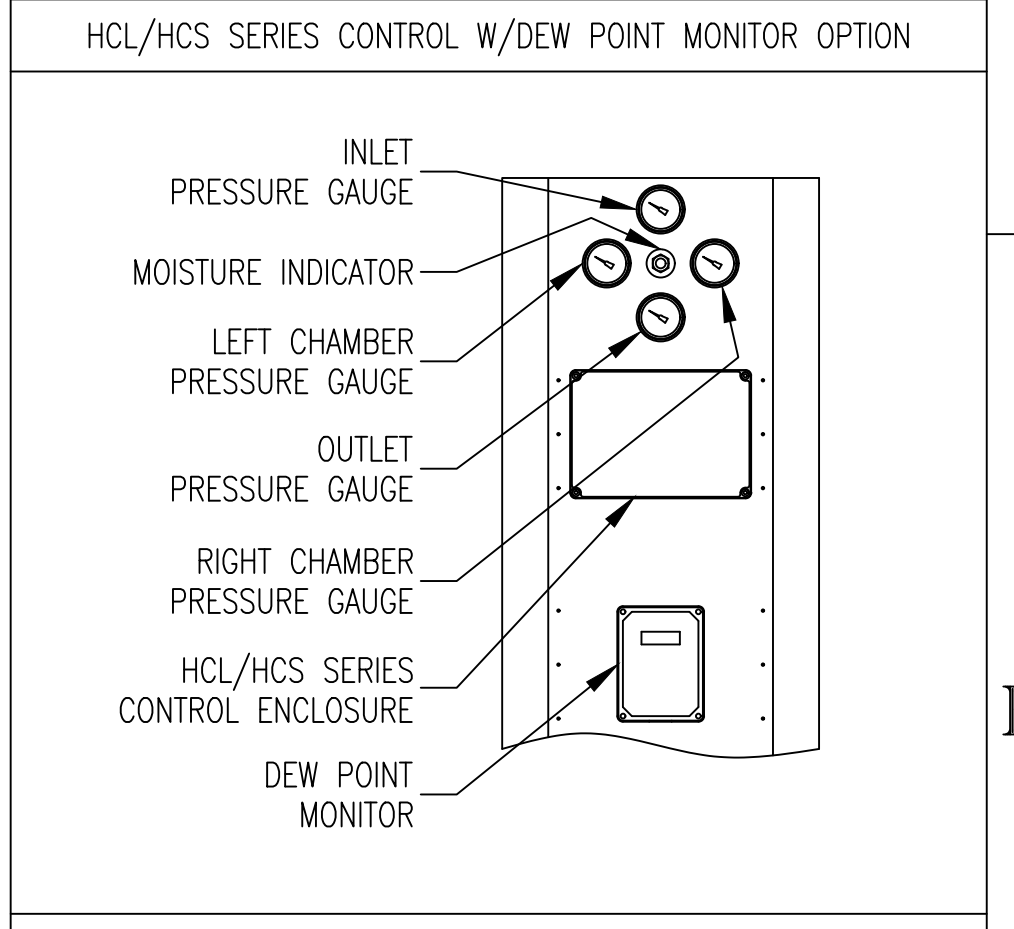
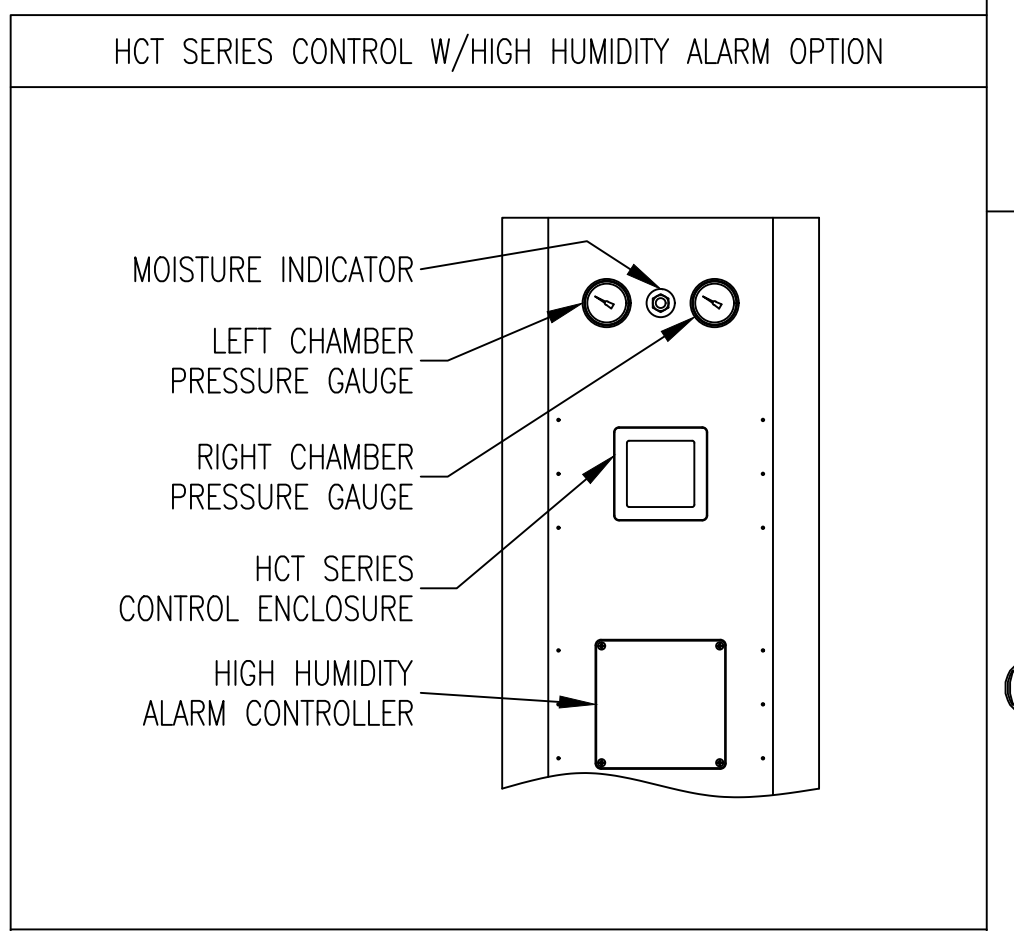
SIDE VIEW
(RIGHT CHAMBER REMOVED FOR CLARITY)



SIDE VIEW
(RIGHT CHAMBER REMOVED FOR CLARITY)
(7 VALVE OPTION)



REAR VIEW
(2' & 3' OPTION FILTER PACKAGE)



UNLESS OTHERWISE SPECIFIED:		NAME	DATE	AUTHORIZED USE, MANUFACTURE, OR REPRODUCTION IN WHOLE OR IN PART IS PROHIBITED. DRAWING DESIGN AND OTHER DISCLOSURES ARE PROPERTY OF: 	
DIMENSIONS ARE IN: INCHES/MM		DWN BY	SDM		08/01/11
SURFACE FINISH: N/A		ENG BY	DEH		08/01/11
TOL. MM INCHES		CHK BY	DBR		08/01/11
X. .XX		APP BY	MPS		08/01/11
.XXX		REL BY	SDM	08/01/11	
FRACT: ±1/2 ANG: ±2°		CAT NO.			
SCALE: 3/32 WF: N/A		ID NO.			

GENERAL ARRANGEMENT
HCS/HCL/HCT 90

SIZE DWG. NO. D 0059308-90 REV. SHEET 1/1