

NOTES: (CONT'D)  
 6. IF THE EQUIPMENT IS TO DRY (OR REACTIVATE WITH) A GAS OTHER THAN AIR, THE OUTLETS OF THE SAFETY VALVE, REACTIVATION GAS OUTLET LINE, BLOWDOWN VALVES, ETC. TO BE PIPED AWAY TO A SAFE LOCATION (BY PURCHASER). IN PIPING AWAY GAS, DO NOT PIPE UPWARD WITHOUT ADEQUATE ARRANGEMENTS TO PREVENT TRAPPING CONDENSATION.

7. CUSTOMER SHOULD REQUEST A COPY OF QMS-013 IF PLANNING ON STORING UNIT LONG TERM BEFORE PLACING INTO SERVICE.  
 8. WEIGHTS: SHIPPING WEIGHT 365 LBS. (APPROX.)  
 OPERATING WEIGHT 166 KGS (APPROX.)  
 365 LBS. (APPROX.)  
 166 KGS

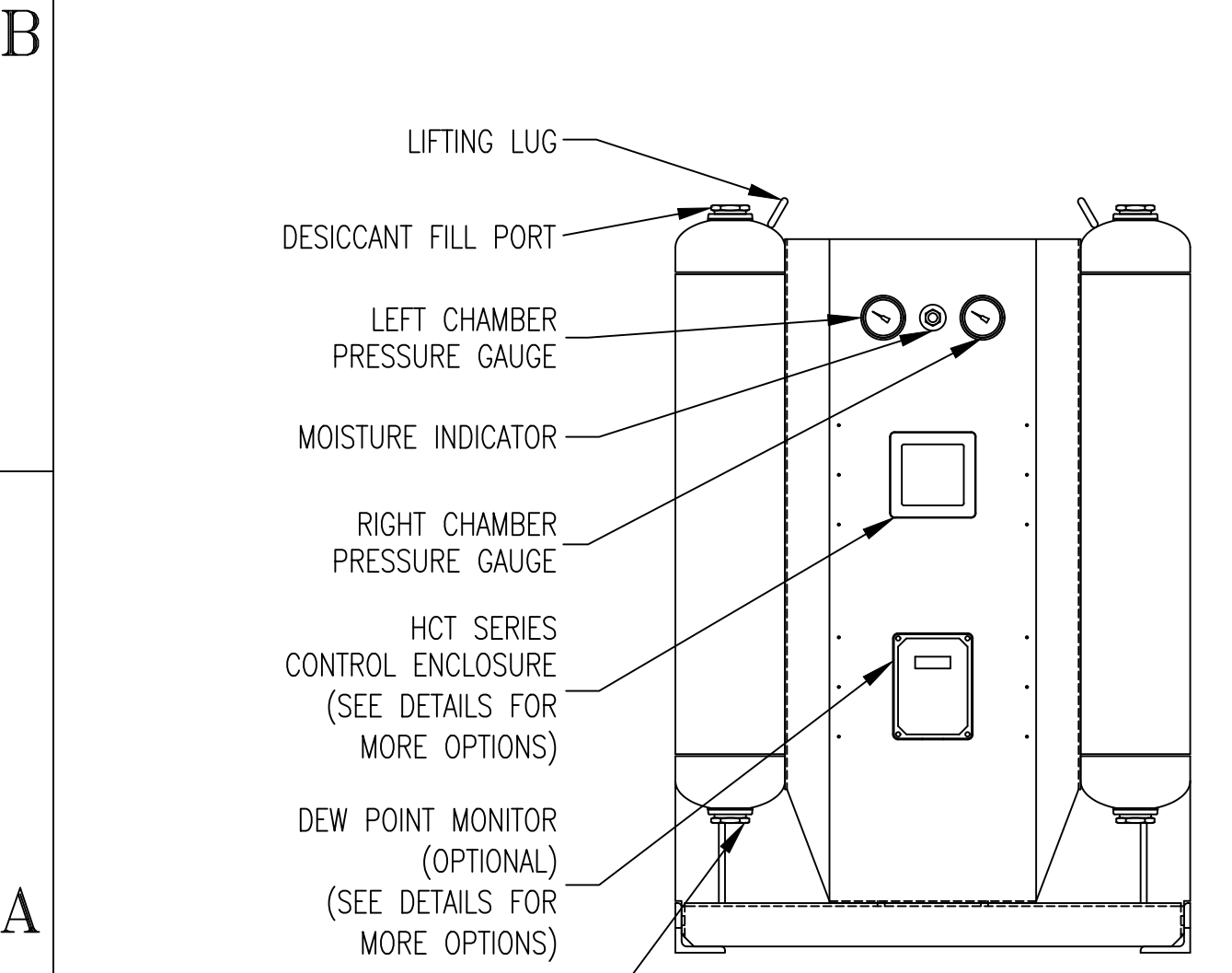
**TOP VIEW**  
 ('4' OPTION FILTER PACKAGE)

**TOP VIEW**  
 ('2' & '3' OPTION FILTER PACKAGE)

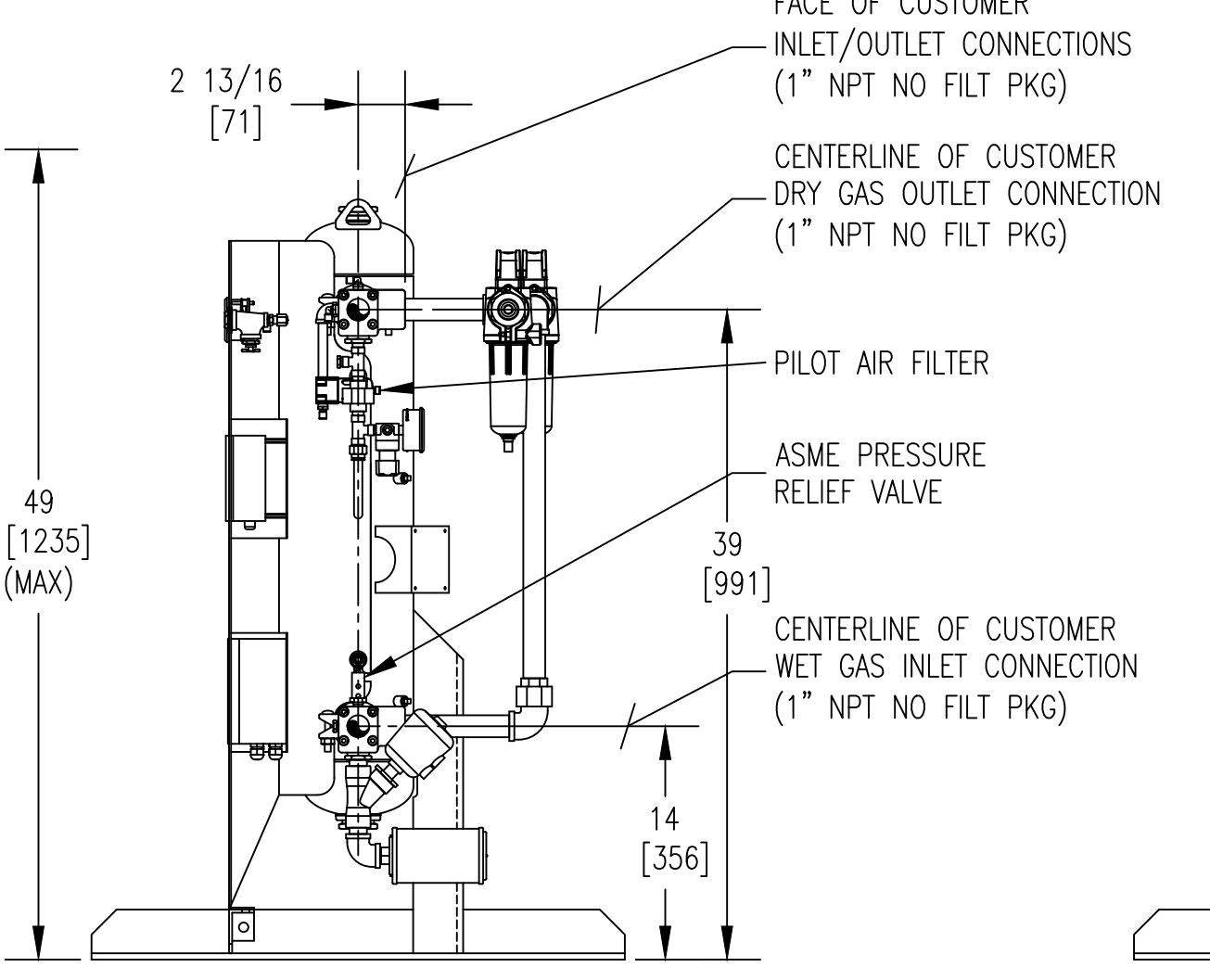
**TOP VIEW**  
 ('1' OPTION FILTER PACKAGE)

**TOP VIEW**  
 (7 VALVE OPTION)

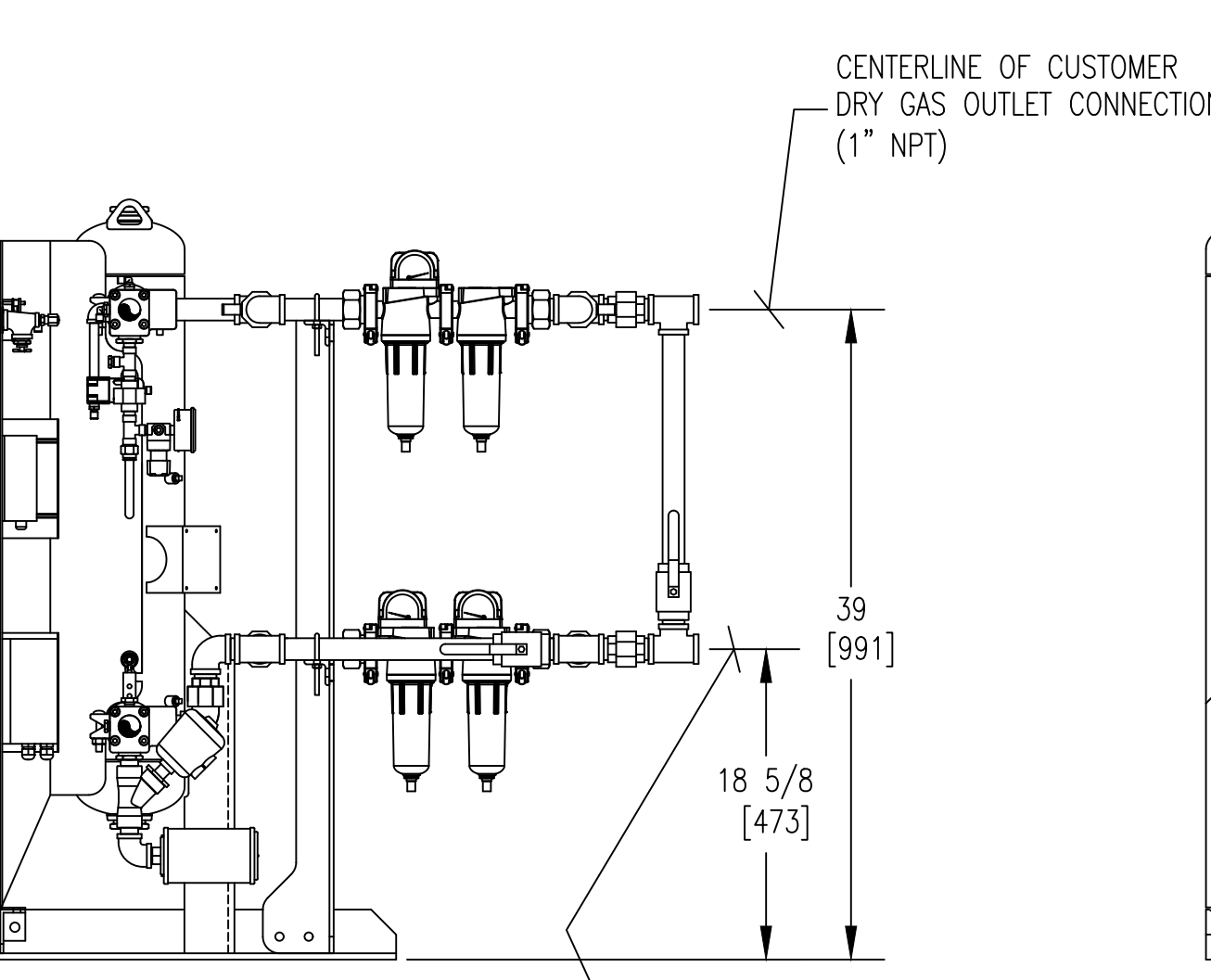
- NOTES:
- THIS DRAWING, TOGETHER WITH P&ID AND SPECIFICATION SHEET, PROVIDES OPERATING CONDITIONS, SPECIFICATIONS, INSTALLATION, MOUNTING AND CONNECTION REQUIREMENTS.
  - PRESSURE VESSELS ARE DESIGNED AND BUILT IN ACCORDANCE WITH THE CURRENT CODE AND ADDENDA OF SECTION VIII, DIV. I, OF THE A.S.M.E. CODE FOR UNFIRED PRESSURE VESSELS.
  - ELECTRICAL CONSTRUCTION IS IN ACCORDANCE WITH THE NATIONAL ELECTRICAL CODE.
  - ANCHOR BOLTS ARE TO PROJECT A MINIMUM OF 2" ABOVE THE FOUNDATION. ANCHOR BOLTS SHOULD BE INSTALLED IN SLEEVES TO ALLOW SOME ADJUSTMENT AT TIME OF INSTALLATION.
  - FOR MAINTENANCE PURPOSES, RECOMMENDED CLEARANCE AROUND DRYER IS 4 FEET [1220 MM].



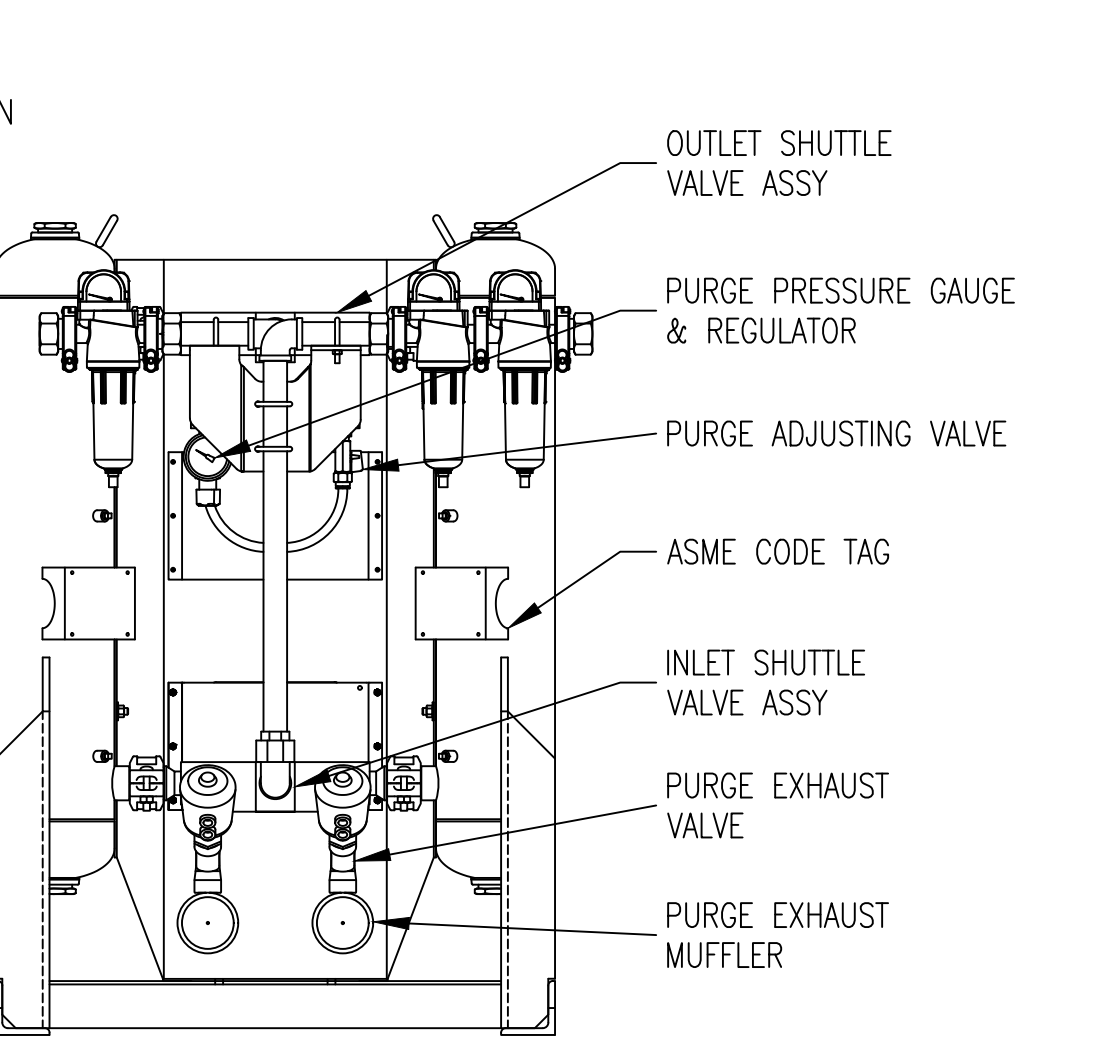
**FRONT VIEW**



**SIDE VIEW**  
 (RIGHT CHAMBER REMOVED FOR CLARITY)

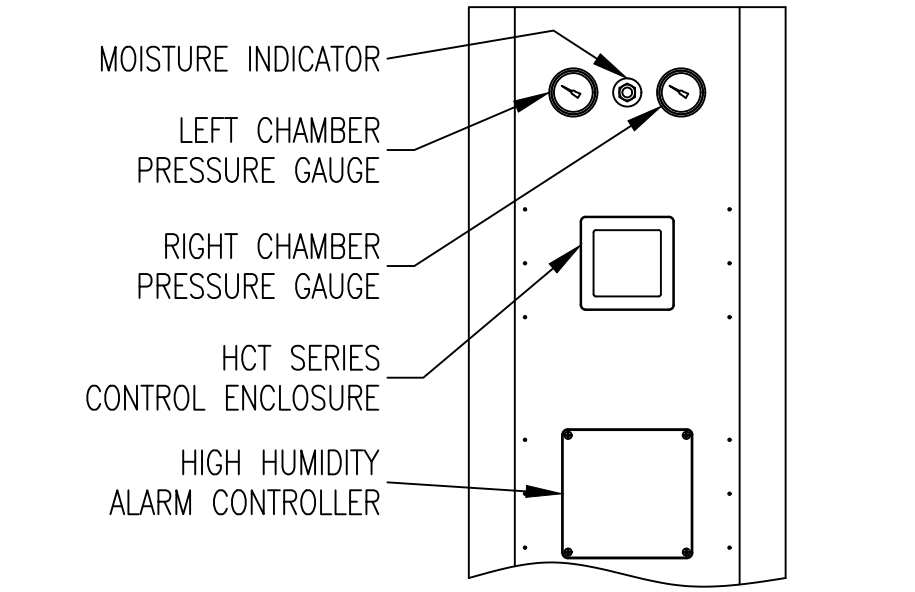


**SIDE VIEW**  
 (RIGHT CHAMBER REMOVED FOR CLARITY)  
 (7 VALVE OPTION)

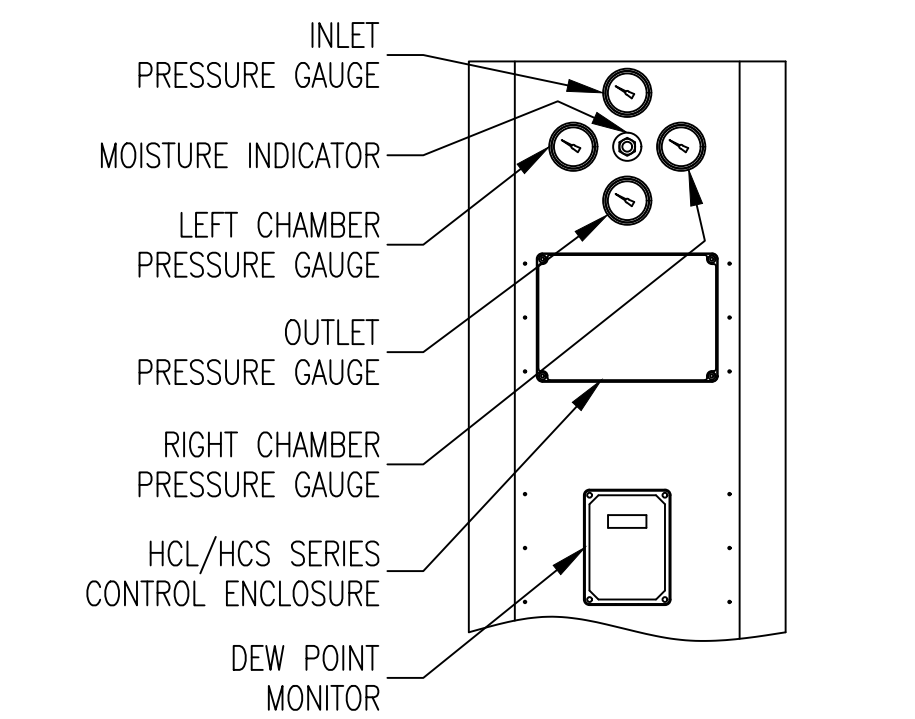


**REAR VIEW**  
 ('2' & '3' OPTION FILTER PACKAGE)

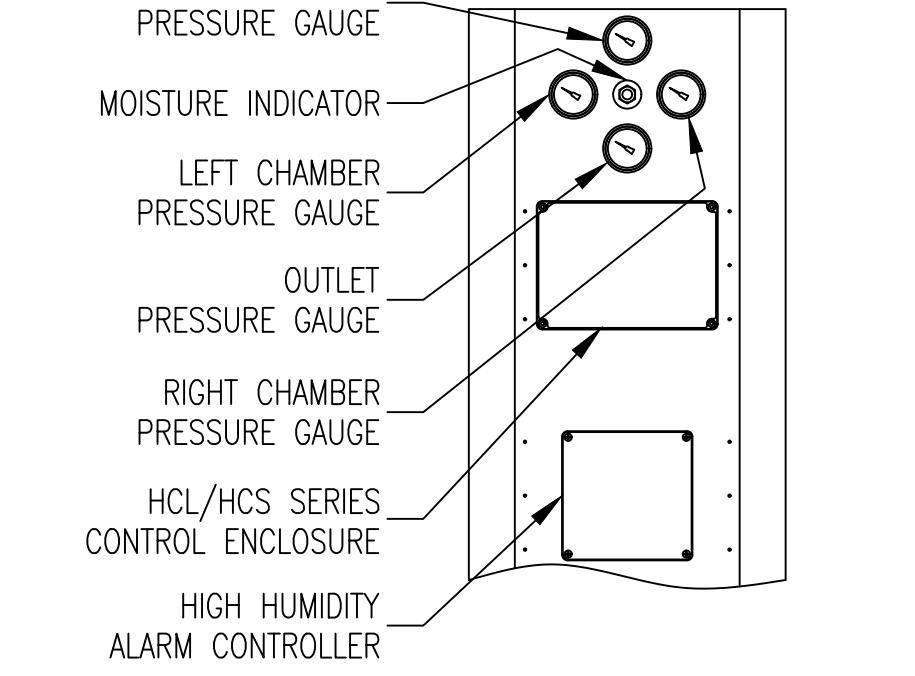
HCT SERIES CONTROL W/HIGH HUMIDITY ALARM OPTION



HCL/HCS SERIES CONTROL W/DEW POINT MONITOR OPTION



HCL/HCS SERIES CONTROL W/HIGH HUMIDITY ALARM OPTION



UNLESS OTHERWISE SPECIFIED:		NAME	DATE	UNAUTHORIZED USE, MANUFACTURE, OR REPRODUCTION IN WHOLE OR IN PART IS PROHIBITED. DRAWING DESIGN AND OTHER DISCLOSURES ARE PROPERTY OF:
DIMENSIONS ARE IN: INCHES/MM		DWN BY	SDM	
SURFACE FINISH: N/A ✓		ENG BY	DEH	08/01/11
TOL.	MM INCHES	CHK BY	DBR	08/01/11
.X		APP BY	MPS	08/01/11
.XX		REL BY	SDM	08/01/11
.XXX		CAT NO.		
FRACT: ±1/2	ANG: ±2°	ID NO.		
SCALE: 3/32	WT: N/A			

**Deltech**  
 AN SPX BRAND  
 \* DO NOT SCALE. USE DIMENSIONS ONLY \*

**GENERAL ARRANGEMENT**  
 HCS/HCL/HCT 40

SIZE DWG. NO. REV. SHEET  
 D 0059308-40 - 1/1