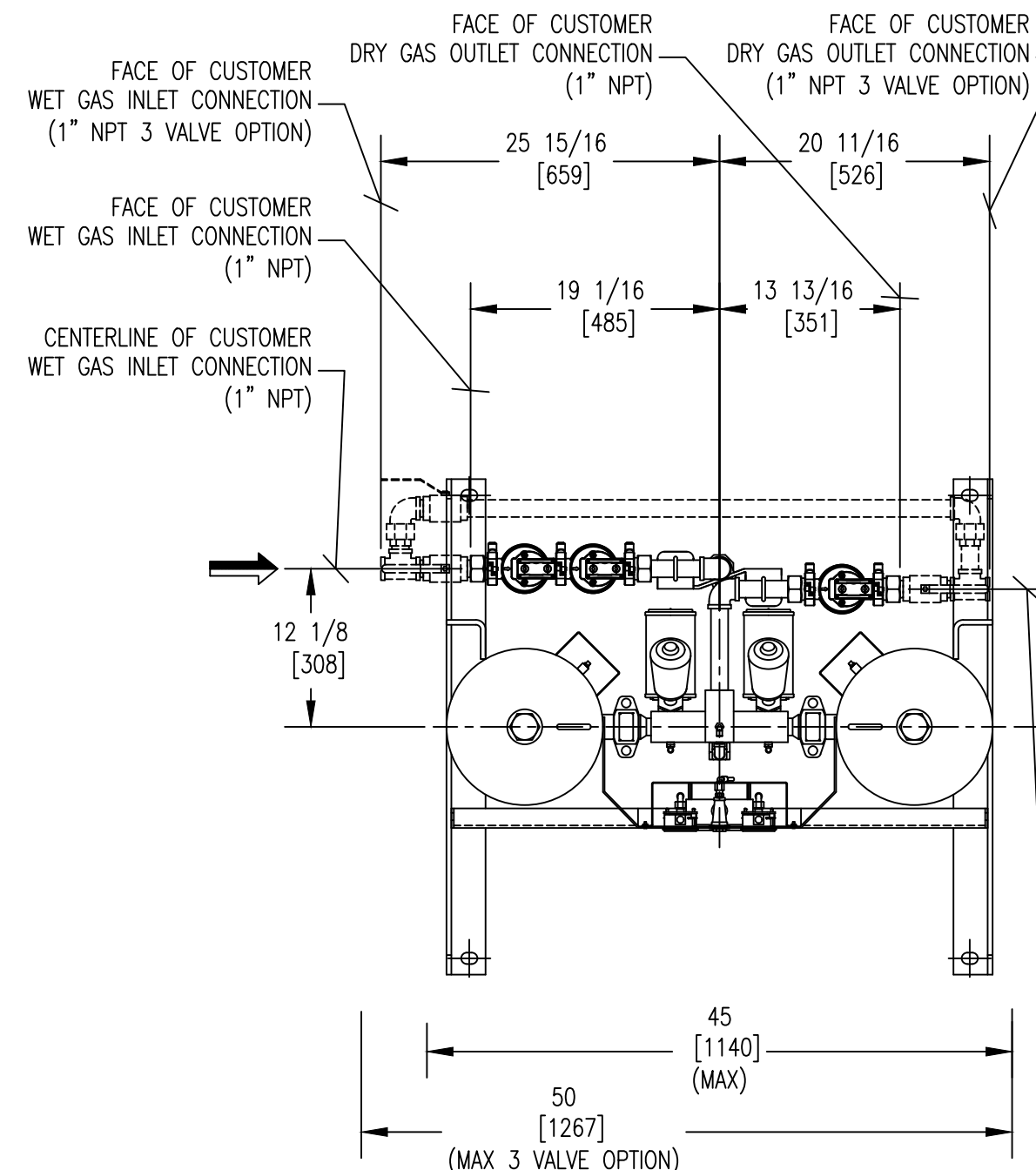
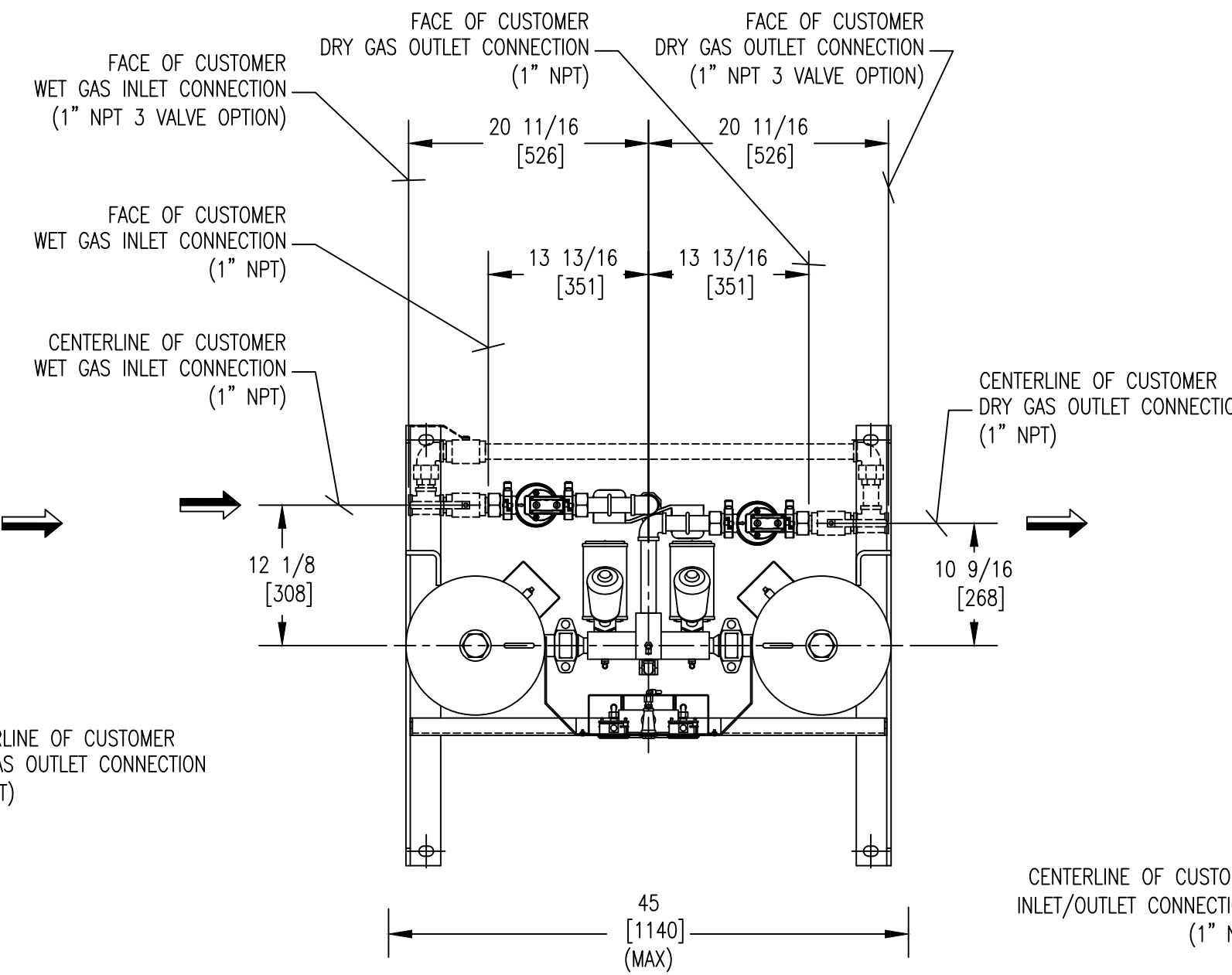


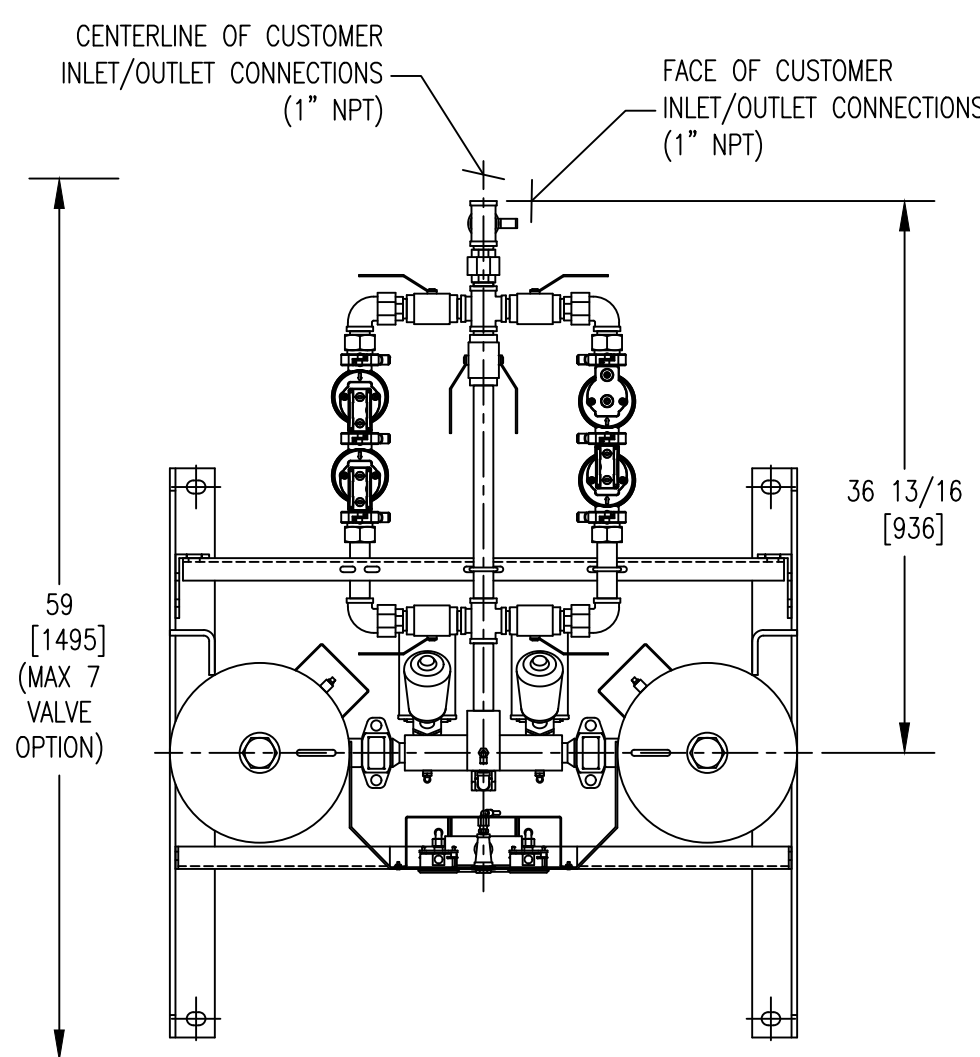
**TOP VIEW**  
(\*4' OPTION FILTER PACKAGE)



**TOP VIEW**  
(\*2' & '3' OPTION FILTER PACKAGE)



**TOP VIEW**  
(\*1' OPTION FILTER PACKAGE)



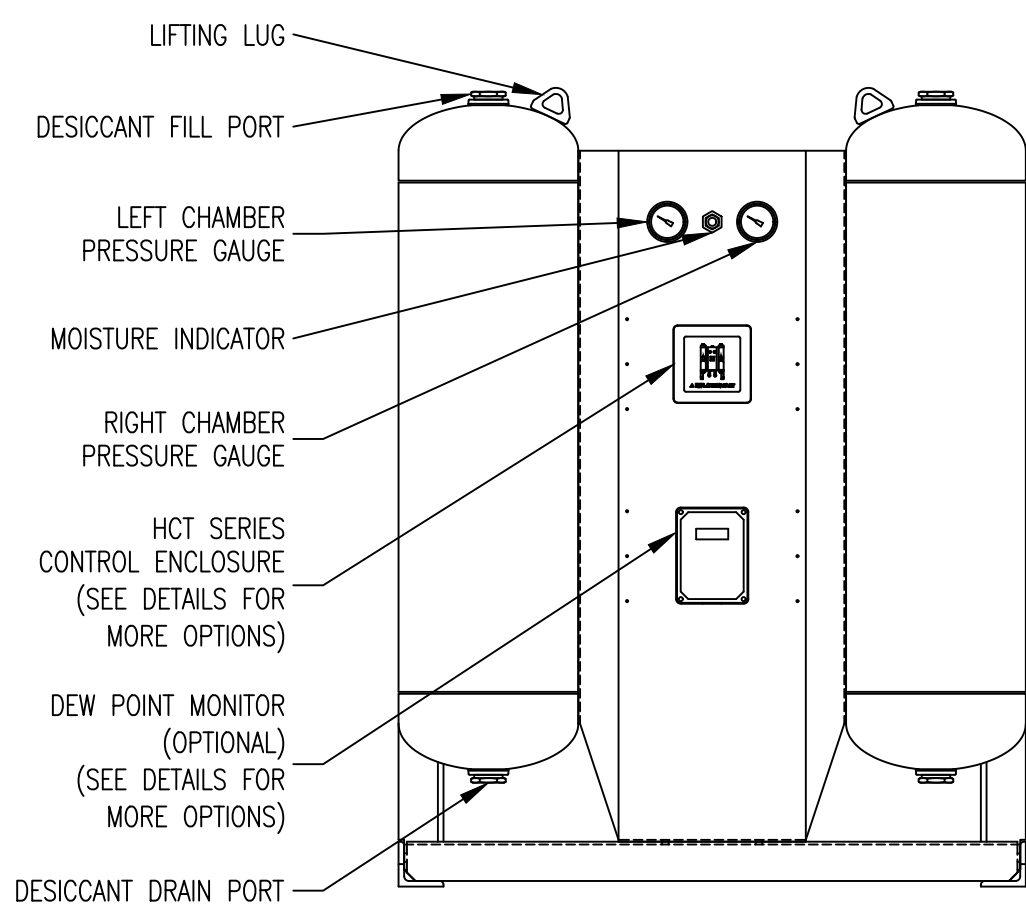
**TOP VIEW**  
(7 VALVE OPTION)

- NOTES:
- THIS DRAWING, TOGETHER WITH P&ID AND SPECIFICATION SHEET, PROVIDES OPERATING CONDITIONS, SPECIFICATIONS, INSTALLATION, MOUNTING AND CONNECTION REQUIREMENTS.
  - PRESSURE VESSELS ARE DESIGNED AND BUILT IN ACCORDANCE WITH THE CURRENT CODE AND ADDENDA OF SECTION VIII, DIV. I, OF THE A.S.M.E. CODE FOR UNFIRED PRESSURE VESSELS.

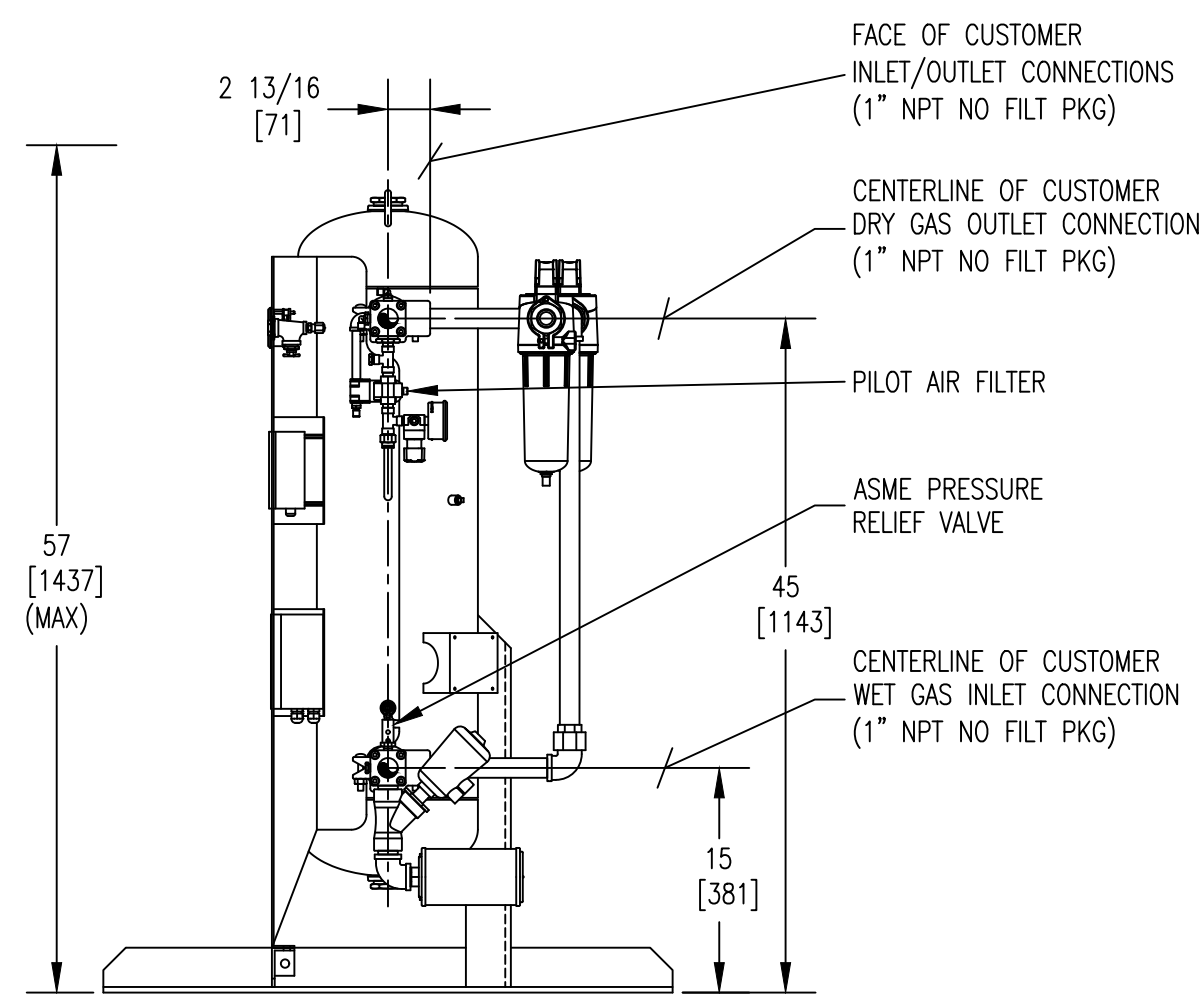
- ELECTRICAL CONSTRUCTION IS IN ACCORDANCE WITH THE NATIONAL ELECTRICAL CODE.
- ANCHOR BOLTS ARE TO PROJECT A MINIMUM OF 2" ABOVE THE FOUNDATION. ANCHOR BOLTS SHOULD BE INSTALLED IN SLEEVES TO ALLOW SOME ADJUSTMENT AT TIME OF INSTALLATION.
- FOR MAINTENANCE PURPOSES, RECOMMENDED CLEARANCE AROUND DRYER IS 4 FEET [1220 MM].

- IF THE EQUIPMENT IS TO DRY (OR REACTIVATE WITH) A GAS OTHER THAN AIR, THE OUTLETS OF THE SAFETY VALVE, REACTIVATION GAS OUTLET LINE, BLOWDOWN VALVES, ETC. TO BE PIPED AWAY TO A SAFE LOCATION (BY PURCHASER). IN PIPING AWAY GAS, DO NOT PIPE UPWARD WITHOUT ADEQUATE ARRANGEMENTS TO PREVENT TRAPPING CONDENSATION.
- CUSTOMER SHOULD REQUEST A COPY OF QMS-013 IF PLANNING ON STORING UNIT LONG TERM BEFORE PLACING INTO SERVICE.

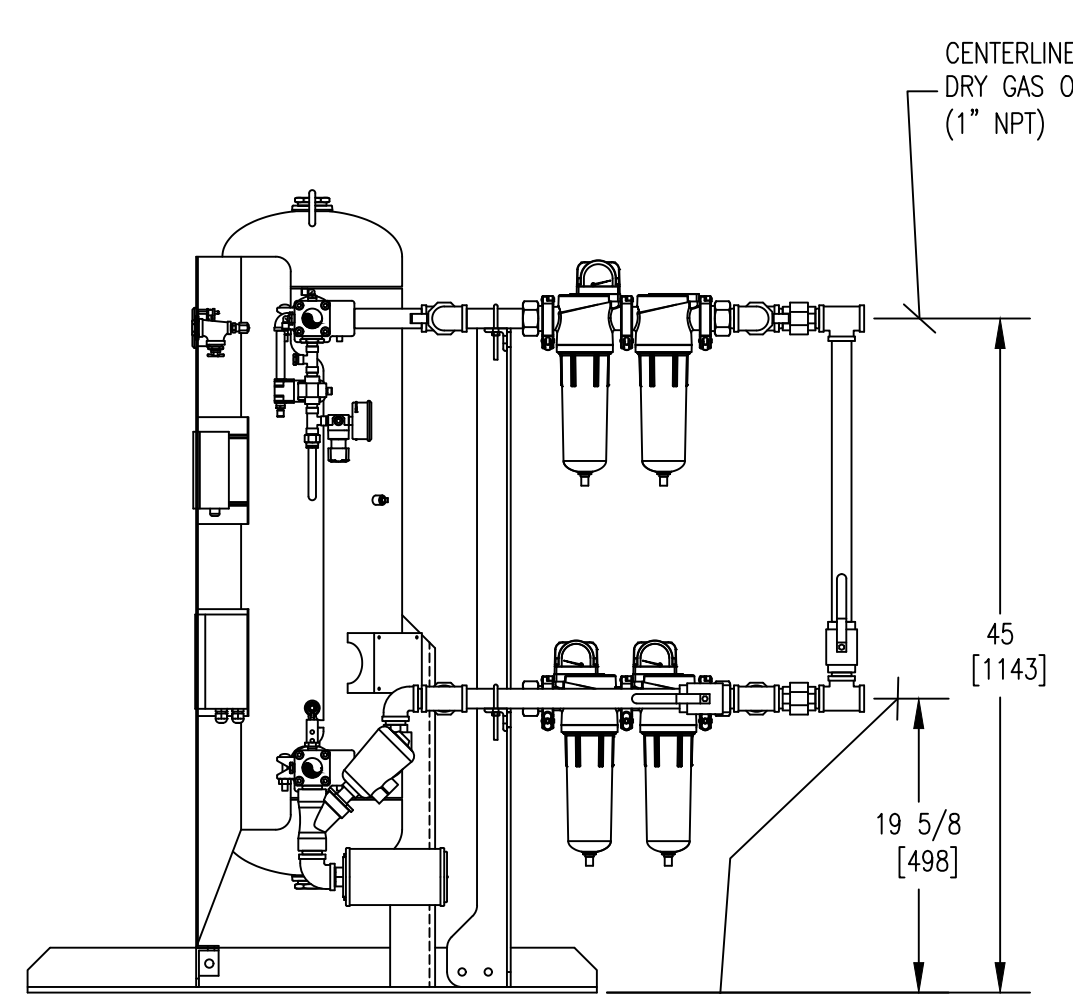
8. WEIGHTS: SHIPPING WEIGHT 685 LBS. (APPROX.)  
311 KGS  
OPERATING WEIGHT 685 LBS. (APPROX.)  
311 KGS



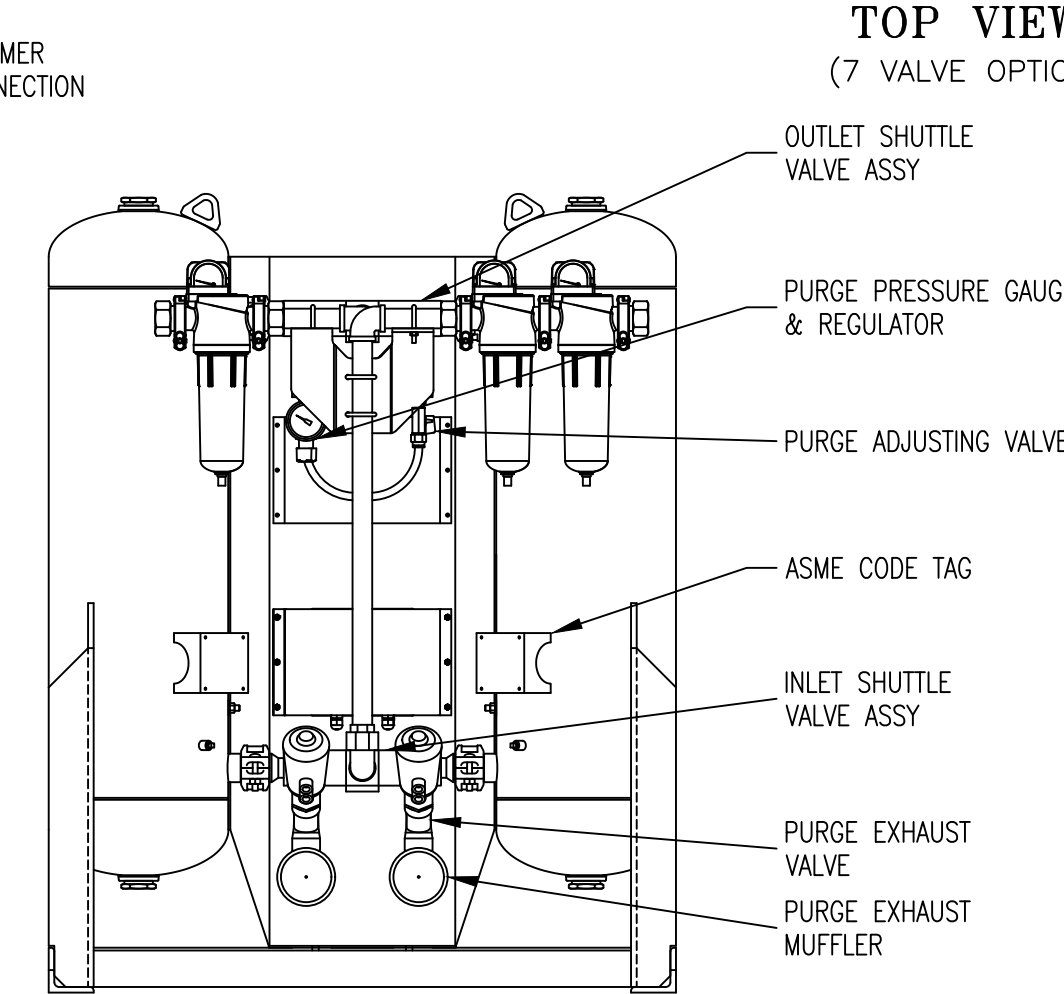
**FRONT VIEW**



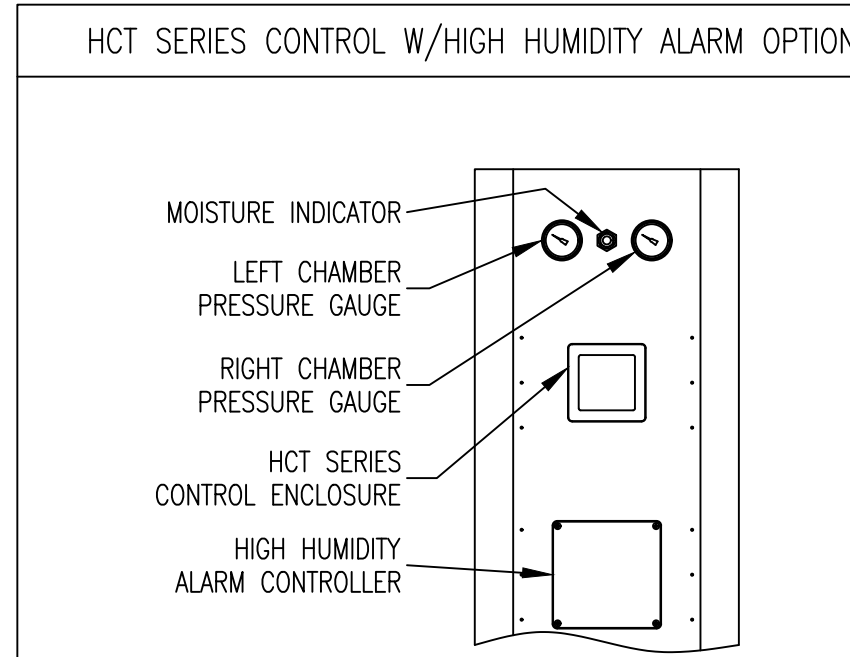
**SIDE VIEW**  
(RIGHT CHAMBER REMOVED FOR CLARITY)



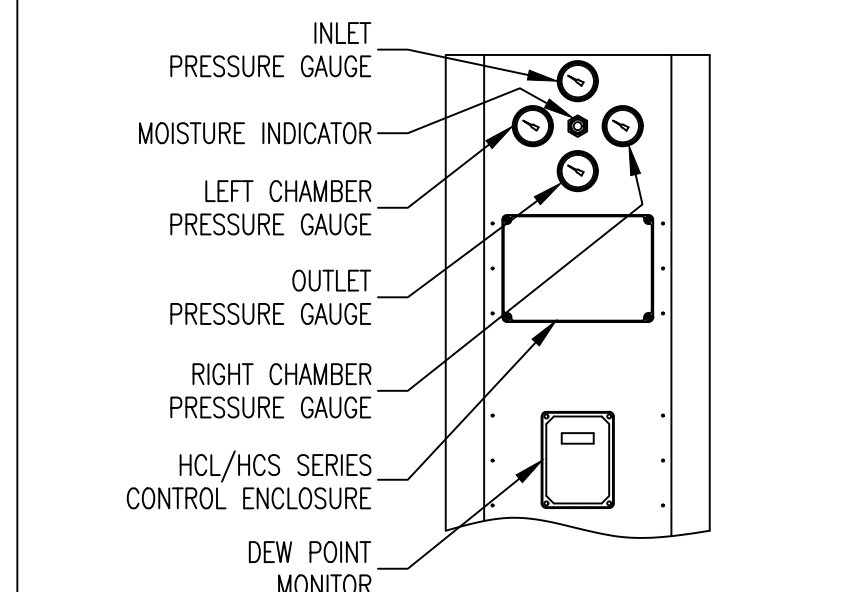
**SIDE VIEW**  
(RIGHT CHAMBER REMOVED FOR CLARITY)  
(\*7 VALVE OPTION)



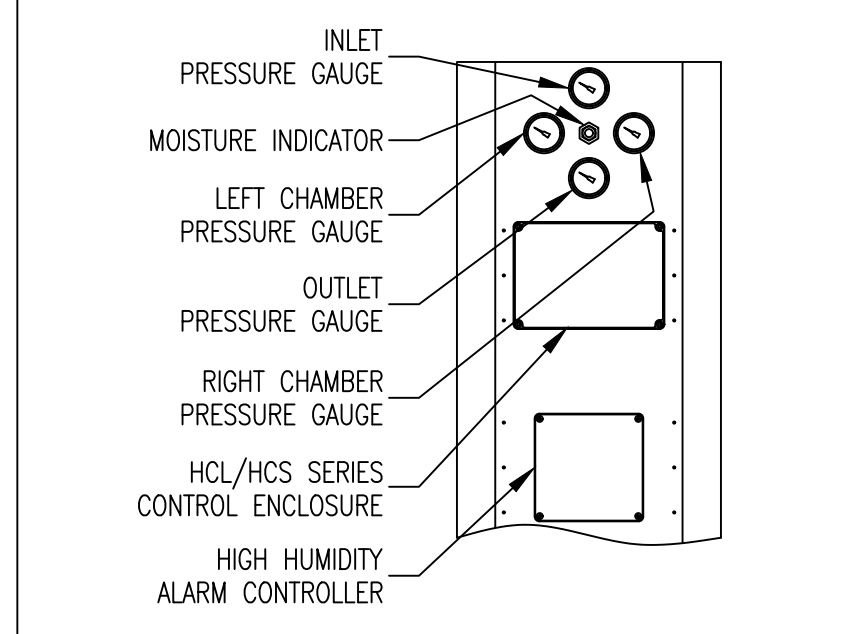
**REAR VIEW**  
(\*2' & '3' OPTION FILTER PACKAGE)



HCT SERIES CONTROL W/HIGH HUMIDITY ALARM OPTION



HCL/HCS SERIES CONTROL W/DEW POINT MONITOR OPTION



HCL/HCS SERIES CONTROL W/HIGH HUMIDITY ALARM OPTION

UNLESS OTHERWISE SPECIFIED:		NAME	DATE
DIMENSIONS ARE IN:	INCHES/MM	DWN BY	SDM 08/01/11
SURFACE FINISH:	N/A	ENG BY	DEH 08/01/11
TOL.	MM INCHES	CHK BY	DBR 08/01/11
.X		APP BY	MPS 08/01/11
.XX		REL BY	SDM 08/01/11
.XXX		CAT NO.	
FRACT: ±1/2	ANG: ±2°	ID NO.	
SCALE: 5/64	WT: N/A		

UNAUTHORIZED USE, MANUFACTURE, OR REPRODUCTION IN WHOLE OR IN PART IS PROHIBITED. DRAWING DESIGN AND OTHER DISCLOSURES ARE PROPERTY OF:	
<b>Deltech</b> AN SPX BRAND	
* DO NOT SCALE. USE DIMENSIONS ONLY *	
<b>GENERAL ARRANGEMENT</b> HCS/HCL/HCT 115	
SIZE DWG. NO.	REV. SHEET
D 0059308-115	- 1/1