

4

3

2

1

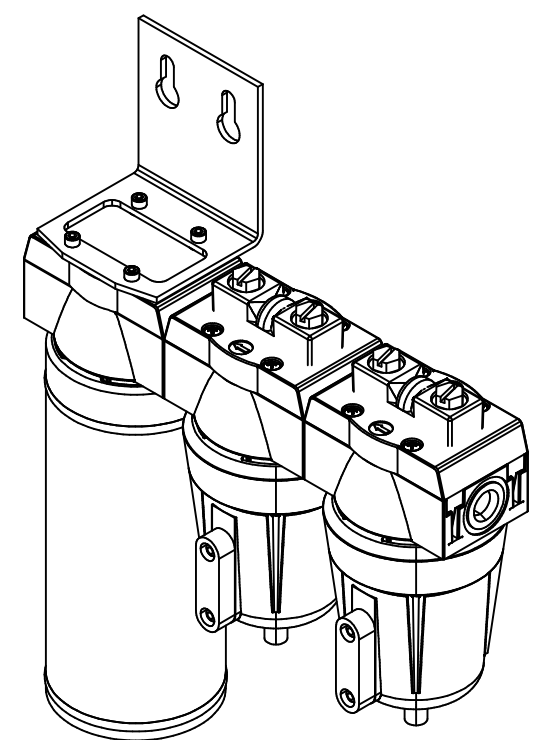
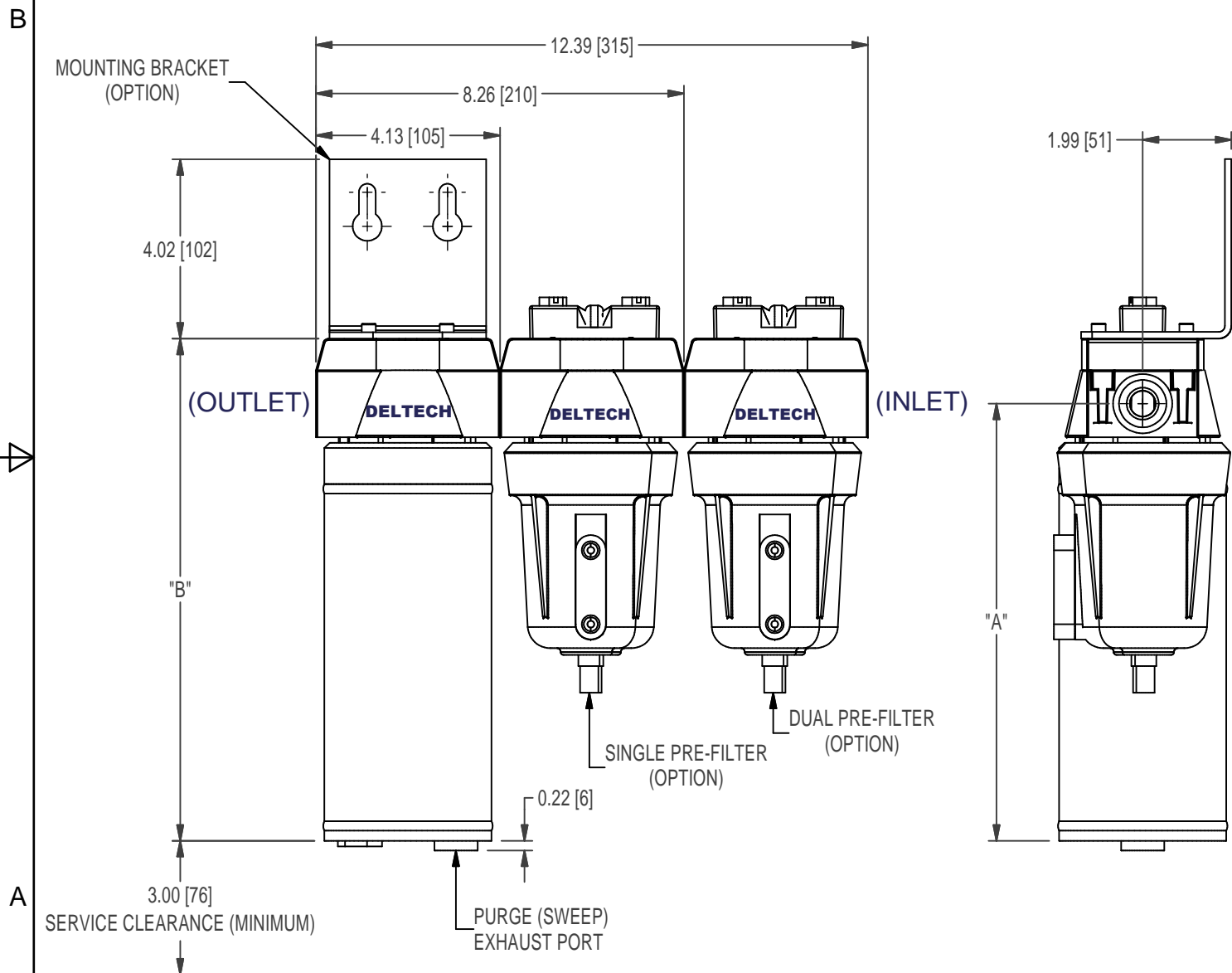
DEHYDRATION MEMBRANE DATA

PERFORMANCE CHART (RATED CONDITIONS)

DRYER MODEL #	"A", IN (mm)	"B", IN (mm)	DRYER WEIGHT, LBS (kg)	DRYER REPLACEMENT CARTRIDGE	INLET FLOW RATE, PDP @ +40F	OUTLET FLOW RATE, PDP @ +40F
DMD1-3	9.79 (249)	11.25 (286)	5 (2.3)	DMB1-II	1.39 (0.039)	1.20 (0.034)
DMD2-3	13.92 (354)	15.38 (391)	6 (2.7)	DMB2-II	4.55 (0.13)	3.95 (0.11)
DMD3-4	18.02 (458)	19.48 (495)	7 (3.2)	DMB3-II	9.47 (0.27)	8.15 (0.23)
DMD4-4	25.84 (656)	27.3 (693)	8 (3.6)	DMB4-II	13.69 (0.39)	11.91 (0.34)

MODEL#	INLET FLOW RATE, PDP @ -40F	OUTLET FLOW RATE, PDP @ -40F
DMD1-3	0.53 (0.015)	0.34 (0.010)
DMD2-3	1.88 (0.053)	1.28 (0.036)
DMD3-4	3.50 (0.38)	2.18 (0.062)
DMD4-4	5.87 (0.17)	4.09 (0.12)

*NOTE(S): FLOW RATE UNITS ARE AS FOLLOWS: SCFM (Nm³/min).
CONSULT FACTORY FOR PERFORMANCE UNDER NON-RATED CONDITIONS.



NOTES & SPECIFICATIONS:

- ALL MODELS TESTED TO CAGI ADF700 TEST STANDARDS.
- RATED PERFORMANCE BASED ON THE FOLLOWING CAGI ACCEPTED CONDITIONS:
INLET TEMPERATURE (SATURATED): 100°F (38°C), INLET PRESSURE: 100-PSIG (6.9-BARG).
- ADD AN F TO THE MODEL NUMBER TO DESIGNATE A SINGLE PRE-FILTER (e.g. DMD1-3F).
- ADD AN F2 TO THE MODEL NUMBER TO DESIGNATE A DUAL PRE-FILTER PACKAGE (e.g. DMD1-3F2).
- ADD AN ADDITIONAL 4.2-LBS (1.9-kg) FOR EACH ADDITIONAL PRE-FILTER.

REV.	DESCRIPTION	BY	DATE	APPROVED
REVISION HISTORY (△ INDICATES LATEST REVISION)				

UNLESS OTHERWISE SPECIFIED
DIMENSIONS ARE IN INCHES
TOL. ON FRACTIONS: ±
TOL. ON DECIMALS: ±.03 (2 PLACE)
TOL. ON DECIMALS: ±.015 (3 PLACE)
TOL. ON ANGLES: ±1°

FILER NO:
DRAWN BY: DDB
DATE: 8/24/06
CHECKED BY: DDB
DATE: 8/24/06
APPROVED BY: DDB
DATE: 8/24/06

Deltech
deltech-spx.com

TITLE: MEMBRANE DRYER MODELS DMD1 THRU DMD4

SIZE: B MATL: DWG. NO. GA21DEL-0001 REV.:

SCALE: NONE EST. WT. SHEET 1 OF 1

4

3

2

1